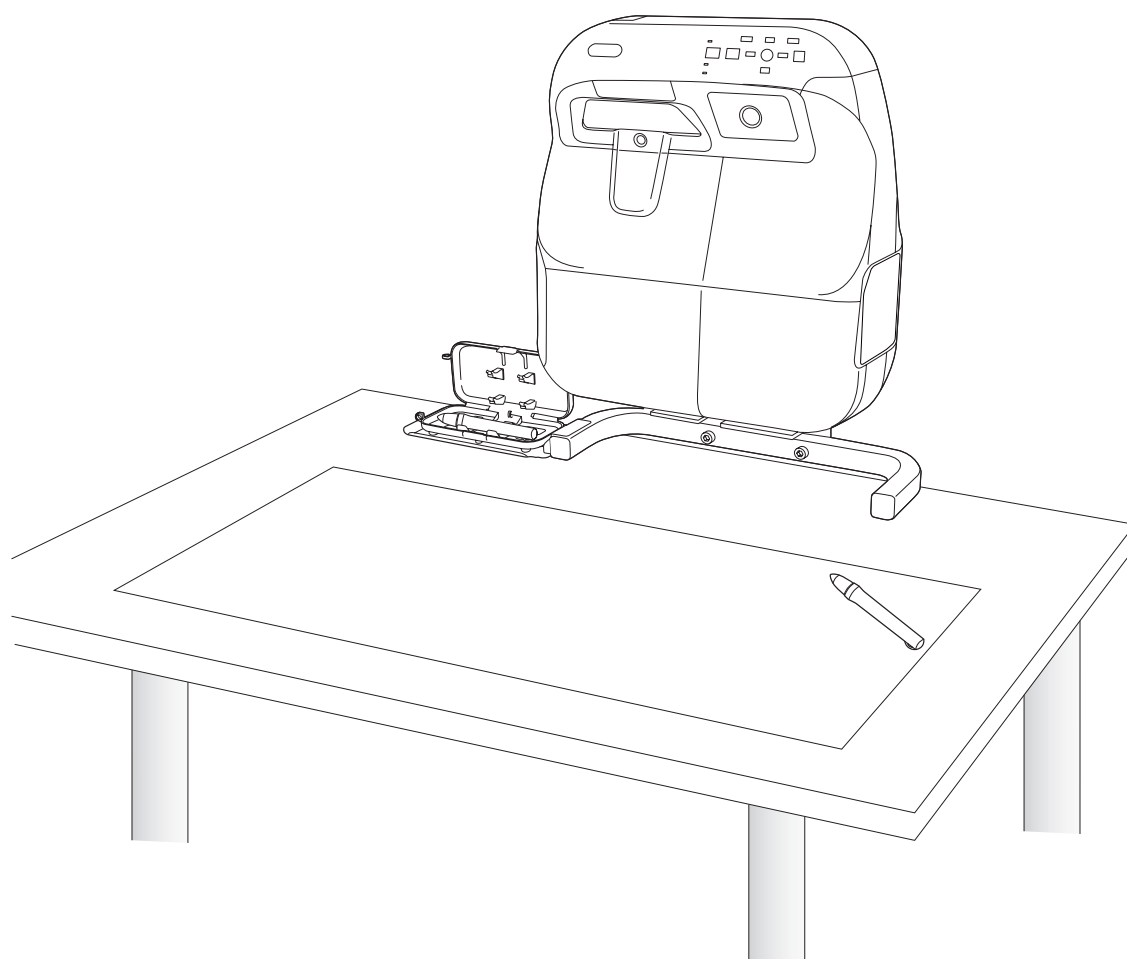


ELPMB29

Interactive Table Mount User's Guide

English






EPSON
EXCEED YOUR VISION


Safety Instructions


For your safety, read all the instructions in this guide, the User's Guide for your projector, and Safety Instructions before using this product. Incorrect handling that ignores instructions in these guides could damage the product or could result in personal injury or property damage. Keep this guide at hand for future reference.

Explanation of Symbols










The warning marks shown below are used throughout this guide to prevent personal injury or property damage. Make sure you understand these warnings when reading this guide.

 Warning	This symbol indicates information that, if ignored, could possibly result in personal injury or even death due to incorrect handling.
 Caution	This symbol indicates information that, if ignored, could possibly result in personal injury or physical damage due to incorrect handling.
	This symbol indicates relevant or useful information.

	Symbol indicating an action that must not be done
---	---

	Symbol indicating an action that should be done
---	---

Safety Precautions for Installation

 Warning	
Follow the instructions in this guide when installing the product. If the instructions are not followed, the product may fall or collapse, resulting in personal injury or an accident.	
Handle the power cord carefully. Incorrect handling may cause fire or electric shock. Observe the following precautions when handling: - Do not handle the power plug with wet hands. - Do not use a power cord that is damaged or modified. - Do not pull the power cord with too much force when passing it through the base frame unit.	
Do not install this product in a place where it might be subjected to vibration or shock. Vibration or shock could cause damage to the projector or mounting surface. It could also cause this product or projector to fall and cause serious personal injury or even death.	
Inspect this product on a regular basis to ensure there are no broken parts or loose screws. If there are any broken parts, stop using this product immediately. Otherwise, this product or projector may fall or collapse, and cause an accident or personal injury.	
Never modify this product.	
Tighten all screws firmly after installation. Otherwise, this product or the projector may fall or collapse, and cause personal injury or an accident.	
Install this product on a table that meets the following conditions. - The tabletop is 15 to 80 mm (0.6 to 3.1") thick. - The tabletop is strong enough to support the weight of this product. - The table is stable enough not to collapse after installation of this product (legs are not pointing inwards or collapsible, for example.). - The table is strong enough to take the weight of the projector and this product.	
Do not use screw-locking adhesives, lubricants, or oil to install this product on a table. If you use screw-locking adhesives, lubricants or oil on the attachment plate fixing part of the projector, the case may crack and cause the projector to fall, resulting in personal injury or property damage.	

! Warning

Do not lean against or apply any force to the table mount or projector.

Otherwise, the table mount or projector may fall or collapse and cause an accident or personal injury.



! Caution

Do not install this product in a location where the operating temperature for the projector may be exceeded.

Such an environment may damage the projector.



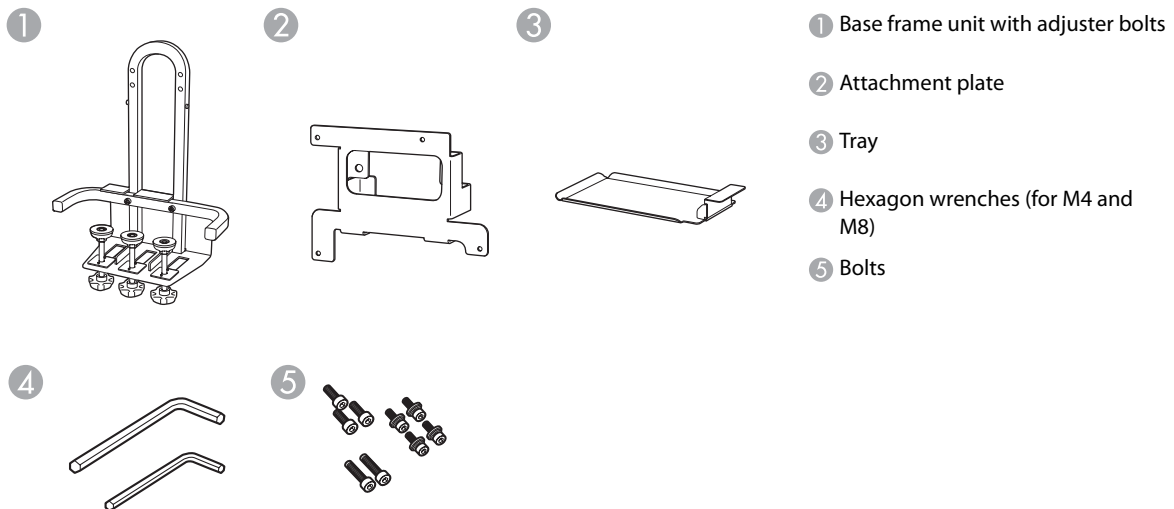
About This Guide

This guide describes how to install the following projectors to a table using the Interactive Table Mount (ELPMB29).

EB-485Wi/EB-485W/EB-480i/EB-480/EB-475Wi/EB-475W/EB-470

BrightLink 485Wi/BrightLink 485Wi+/BrightLink 480i/BrightLink 475Wi/BrightLink 475Wi+

1. Package Contents



Bolts

Shape	Name	Quantity	Application
	M4 x 12 mm hexagon socket head cap bolt with washer and spring washer	4	For mounting the attachment plate to the projector.
	M4 x 8 mm hexagon socket head cap bolt	1	For mounting the tray to the base frame unit.
		2	Used as stoppers.
	M8 x 35 mm hexagon socket head cap bolt	2	For mounting the attachment plate to the base frame unit.

Have the necessary tools ready before you begin the installation.

2. Specifications

Item	Specification	Remark
Mass	Approx. 7.5 kg	
Maximum load capacity	6.5 kg	
Forward/backward adjustment range of the adjuster bolt	80 mm (3.1")	Distance between the edge of the table and the center of the bolt: 35 to 115 mm (1.4 to 4.5")

3. Table to Install This Product

Install this product on a table that meets the following conditions.

- The tabletop is strong enough to support the weight of this product.
- The table is stable enough not to collapse after installation of this product (legs are not pointing inwards or collapsible, for example.).
- The table is strong enough to take the weight of the projector and this product.
- The table surface is a light color such as white.
- The tabletop is 15 to 80 mm (0.6 to 3.1") thick.
- The tabletop is larger than the following minimum necessary size.
See the projection distance table in step 1 for the image size.

EB-485Wi/485W/475Wi/475W

BrightLink 485Wi/BrightLink 485Wi+/BrightLink 475Wi/BrightLink 475Wi+

[Unit: inch (mm)]

	Image Size	Rectangular Table
①	65 (1651)	47.6 x 55.8 (1210 x 1417)
②	60 (1524)	44.5 x 52.0 (1130 x 1321)

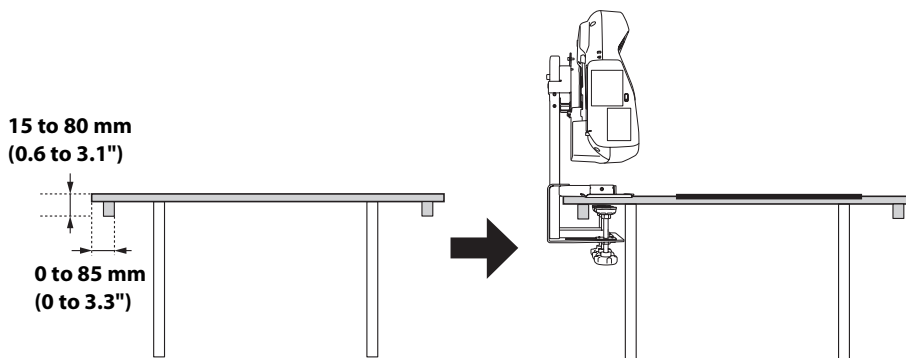
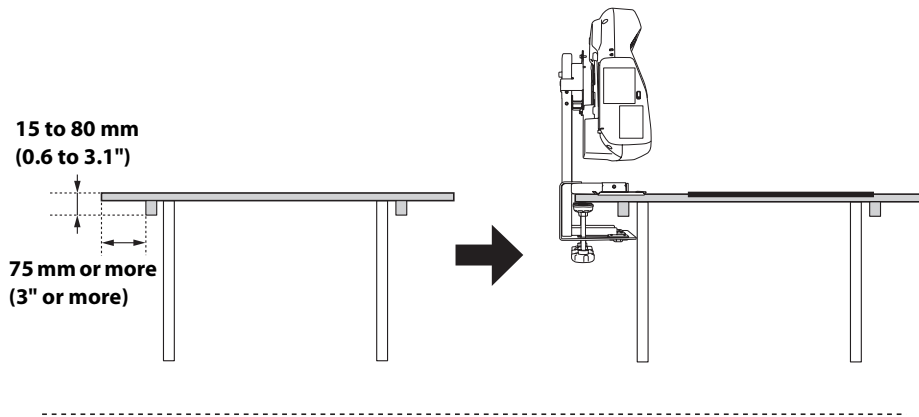
EB-480i/480/470

BrightLink 480i

[Unit: inch (mm)]

	Image Size	Rectangular Table
①	60 (1524)	48.4 x 49.3 (1230 x 1252)
②	56 (1422)	45.7 x 46.1 (1160 x 1172)

- If any obstacles such as a shaft exist on the bottom side of the tabletop, the distance between the edge of the table and the obstacle must be at least 75 mm (3") or the obstacle must be within 85 mm (3.3") from the edge of the table.

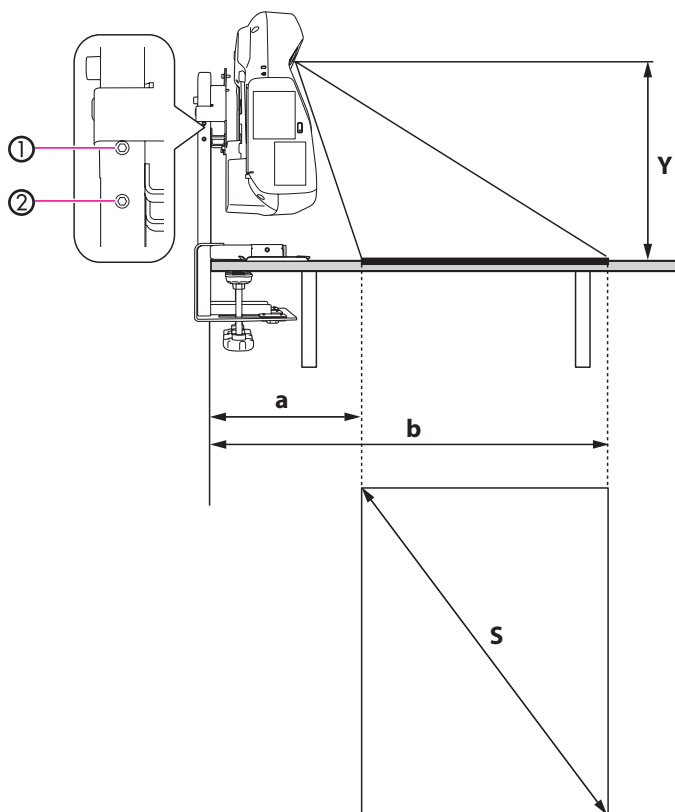


4. Installation Procedure

1 Determine the image size and the position of the projector

(1) Determine the position according to the image size. There are two positions (① and ② in the following illustration) to choose from.

See the following table for the position suitable for each image size.



EB-485Wi/485W/475Wi/475W

BrightLink 485Wi/BrightLink 485Wi+/BrightLink 475Wi/BrightLink 475Wi+

[Unit: inch (mm)]

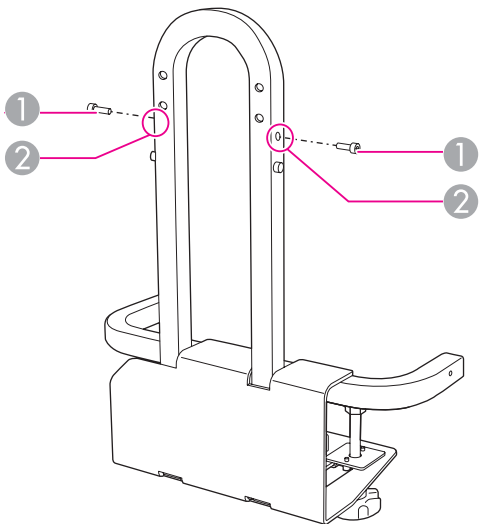
Projection Distance (Y)	Image Size (S)						Distance Between the Edge of the Table and the Bottom of the Screen (16:10)(a)		Distance Between the Edge of the Table and the Top of the Screen (16:10)(b)	
	Aspect ratio 16:10		Aspect ratio 4:3		Aspect ratio 16:9					
	Wide	Tele	Wide	Tele	Wide	Tele	Wide	Tele	Wide	Tele
① 15.0 (380)	65 (1651)	48 (1219)	57 (1448)	43 (1092)	63 (1600)	47 (1194)	11.0 (280)	15.4 (390)	45.3 (1150)	40.9 (1040)
② 13.8 (350)	60 (1524)	45 (1143)	53 (1346)	40 (1016)	59 (1499)	45 (1143)	10.2 (260)	14.6 (370)	42.1 (1070)	38.6 (980)

Projection Distance (Y)	Image Size (S)						Distance Between the Edge of the Table and the Bottom of the Screen (4:3)(a)	Distance Between the Edge of the Table and the Top of the Screen (4:3)(b)			
	Aspect ratio 16:10		Aspect ratio 4:3		Aspect ratio 16:9			Wide	Tele	Wide	Tele
	Wide	Tele	Wide	Tele	Wide	Tele					
① 15.0 (380)	57 (1448)	42 (1067)	60 (1524)	45 (1143)	55 (1397)	41 (1041)	9.8 (250)	14.6 (370)	45.7 (1160)	41.7 (1060)	
② 13.8 (350)	53 (1346)	40 (1016)	56 (1422)	42 (1067)	52 (1321)	38 (965)	9.4 (240)	13.8 (350)	42.9 (1090)	39.0 (990)	



- You can change the image size using E-Zoom of the projector.
- You can adjust the projection position using Image Shift of the projector.

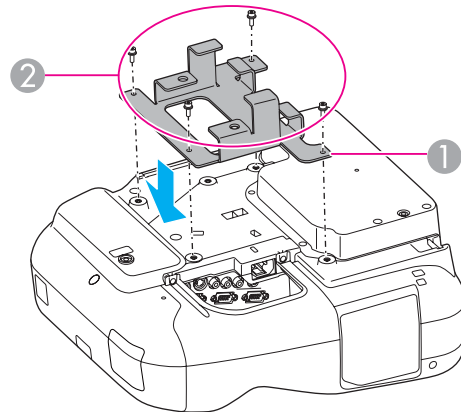
(2) If you select ①, attach M4 x 8 mm hexagon socket head cap bolts (x2) to the base frame unit at ① as stoppers for the projector. Bolts were secured at ② when shipped.



- ① M4 x 8 mm hexagon socket head cap bolts
- ② Positions

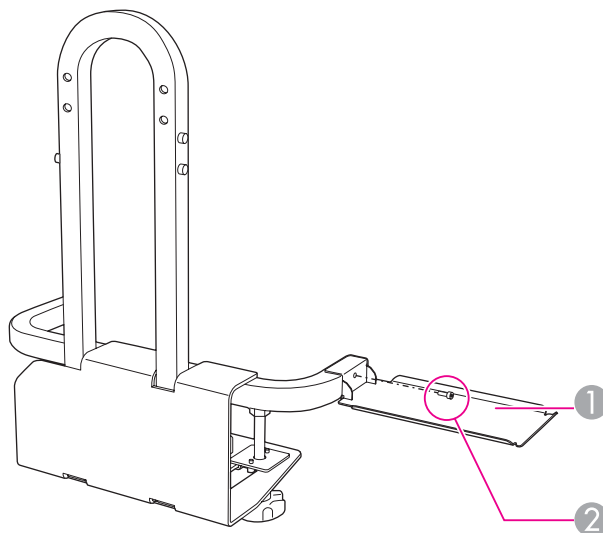
2 Assemble the parts

- (1) Mount the attachment plate on the projector using M4 x 12 mm hexagon socket head cap bolts (4 bolts with washer and spring washer).



- 1 Attachment plate
- 2 M4 x 12 mm hexagon socket head cap bolts (with washer and spring washer)

- (2) Mount the tray on the base frame unit using an M4 x 8 mm hexagon socket head cap bolt. You can mount the tray on either the left or right side of the base frame unit.



- 1 Tray
- 2 M4 x 8 mm hexagon socket head cap bolt

If you are using EB-485Wi/EB-480i/EB-475Wi/BrightLink 485Wi/BrightLink 485Wi+/BrightLink 475Wi/BrightLink 475Wi+, you can place the pen tray supplied with the projector on the tray. If you do not have a pen tray, you can put the remote control, for example, on the tray.

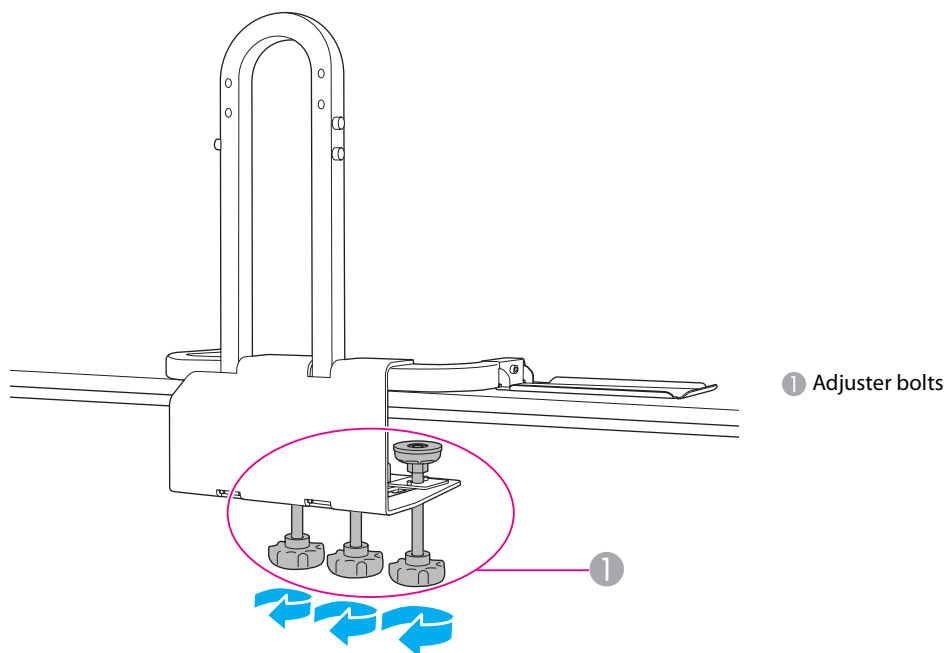


Caution

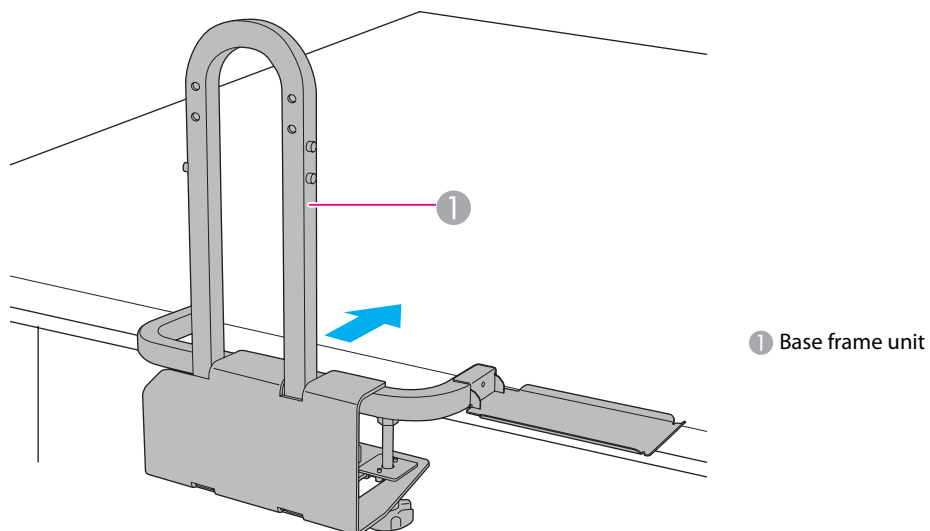
Do not put the Easy Interactive Pen directly on the tray. The Easy Interactive Pen may not work if it becomes damaged or soiled.

3 Determine the position to attach the table mount

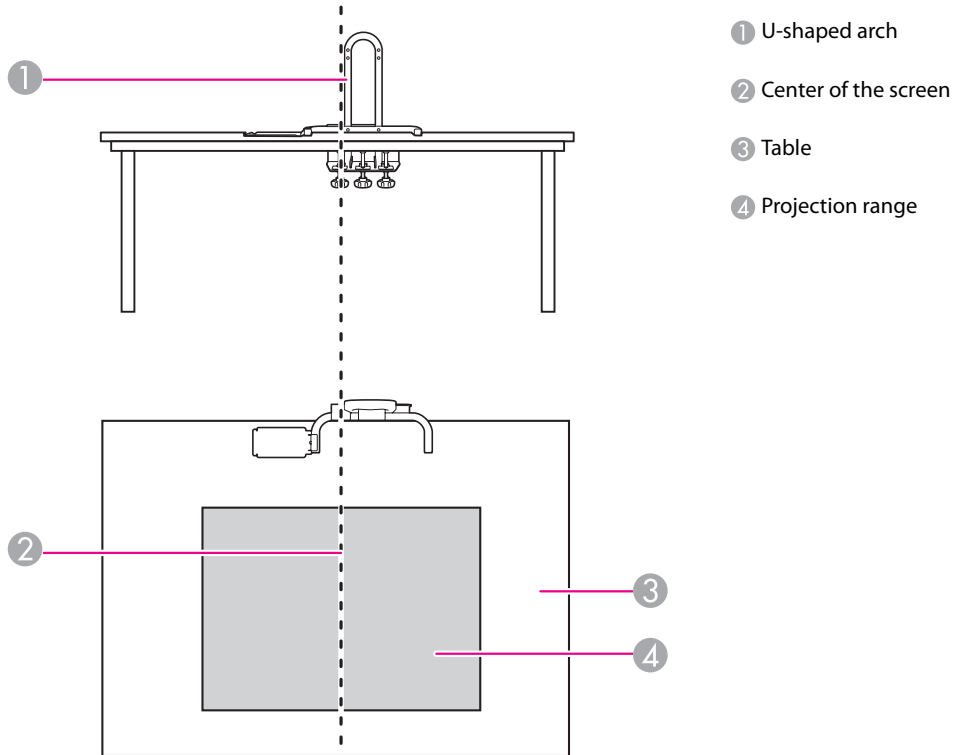
- (1) Loosen the adjuster bolts (x3) to fit the thickness of the tabletop, so that you can attach the base frame unit to the tabletop.



- (2) Attach the base frame unit to the table by sliding the base frame unit onto the edge of the table.

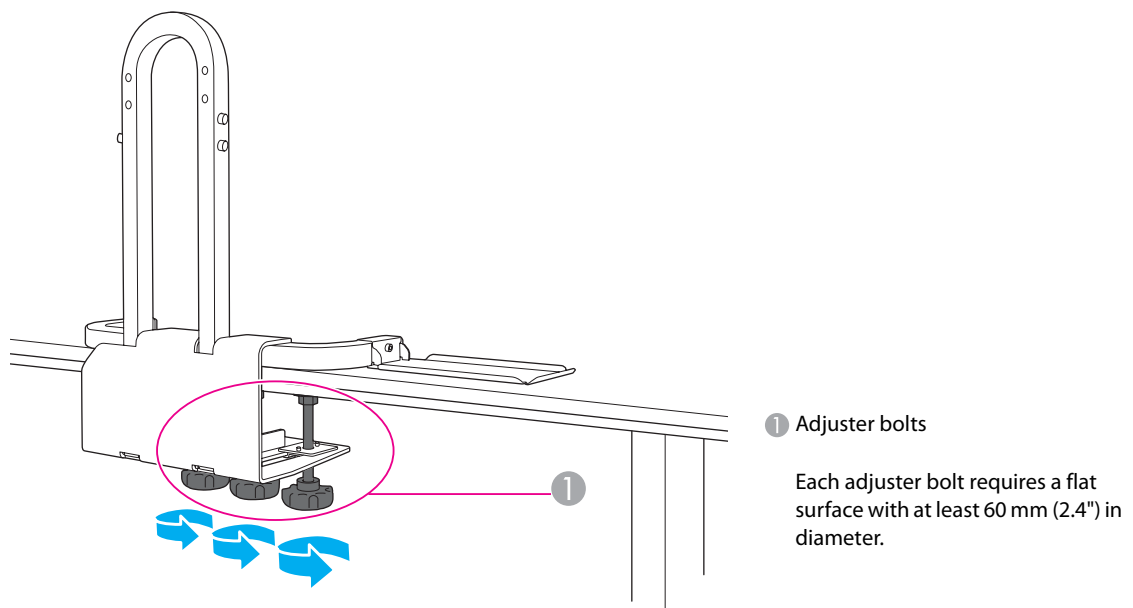


(3) Align one side of the U-shaped arch on the base frame unit (① in the following illustration) and the supposed central line of the screen during projection (② in the following illustration) to align the center of the lens and the center of the screen.



4 Mount the base frame unit by tightening the three adjuster bolts

Fix the adjuster bolts on a flat surface on the bottom side of the tabletop temporarily. Move the adjuster bolts forward or backward if there are any obstacles such as a shaft.

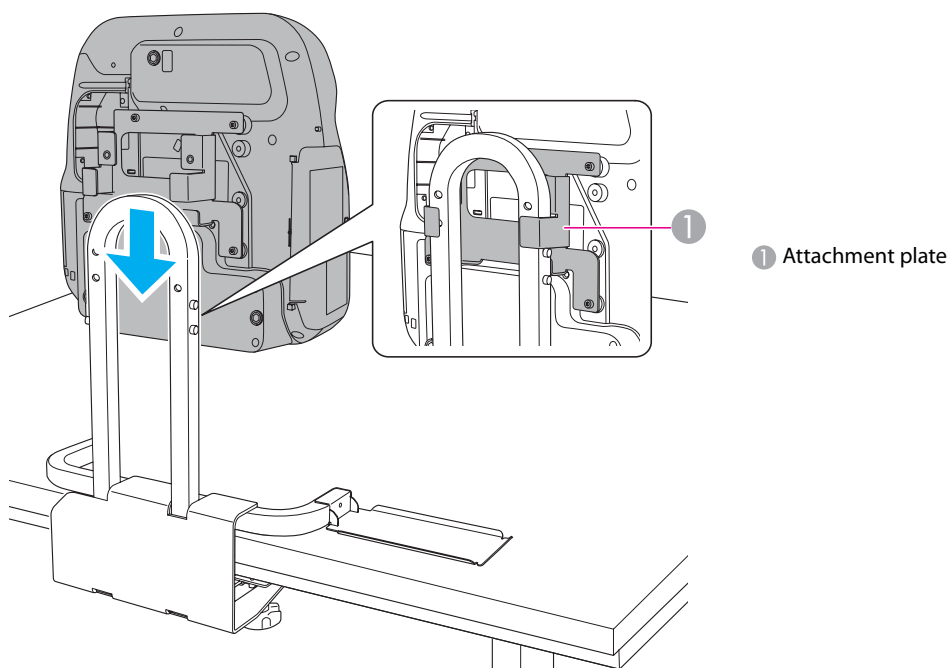


⚠ Warning

- ❑ Tighten all adjuster bolts firmly after installation. Otherwise, this product or the projector may fall or collapse, and cause personal injury or an accident.
- ❑ Do not attempt to tighten adjuster bolts on obstacles.

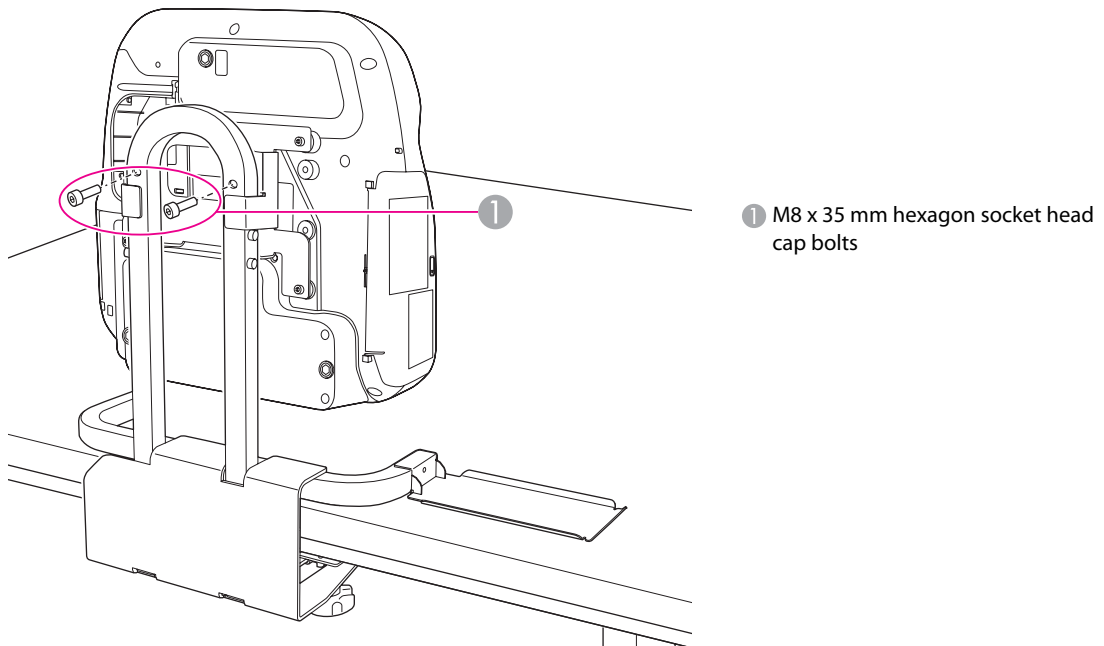
5 Secure the projector to the base frame unit

- (1) Slide the attachment plate mounted on the projector onto the U-shaped arch from the top. It stops at the stoppers of step **1**.

**⚠ Caution**

Do not place anything under the projector. It may damage the projector during the mounting process.

(2) Secure the projector with M8 x 35 mm hexagon socket head cap bolts (x2).



6 Tighten the adjuster bolts fixed temporarily in step 3

Tighten the three adjuster bolts with equal force.

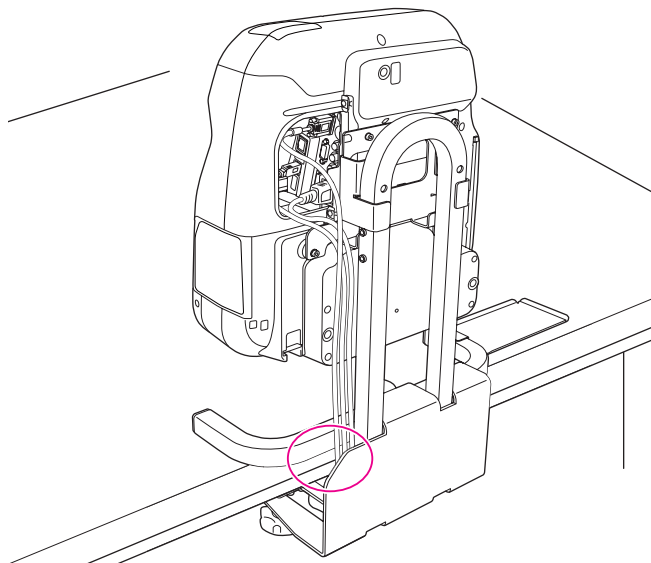


Warning

Tighten all screws firmly. Otherwise, the projector or this product may fall and cause personal injury or an accident.



- When you have completed the projector installation, connect the necessary cables. Use the cutout on the base frame unit so that the cables do not stick out.



- For adjusting the image and more details on the projector, refer to the User's Guide supplied with the projector.
- Make sure the table does not wobble after you have installed the projector.