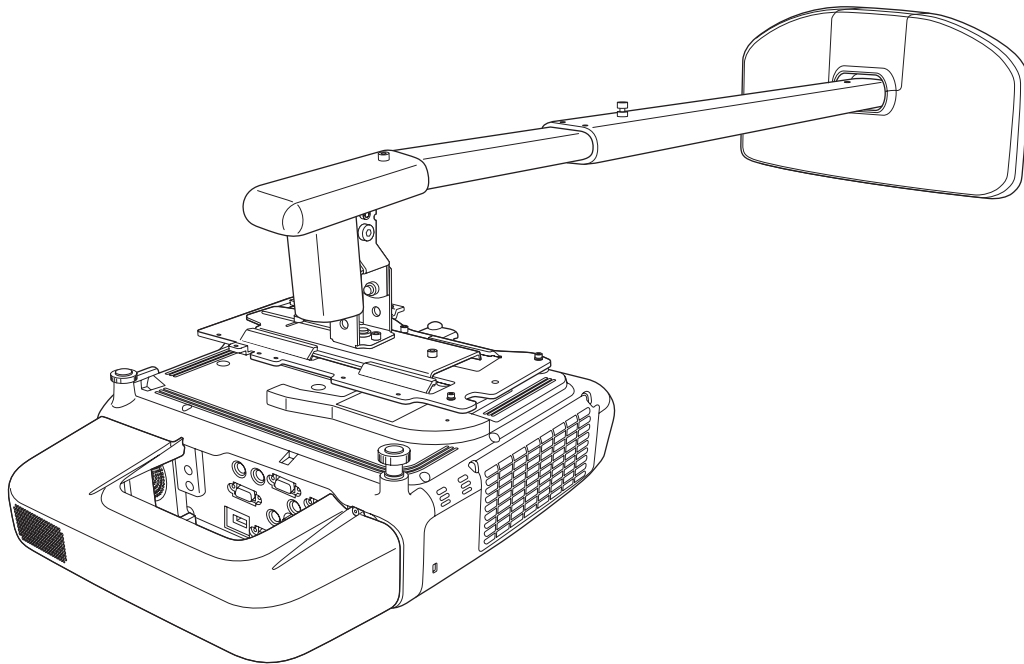


ELPMB45

Installation Guide

Guide d'installation



About This Installation Guide

This guide describes how to mount the short-throw projectors BrightLink® 536Wi and PowerLite® 520/525W/530/535W to a wall using the Epson® wall mount.

	Not all models are available in all markets.
---	---







Safety Instructions

For your safety, read all the instructions in this guide before using the wall mount. Incorrect handling that ignores instructions in this guide could damage the wall mount or could result in personal injury or property damage. Keep this installation guide on hand for future reference.





Read the safety instructions in the online *User's Guide* for your projector and follow the instructions in this document.


















Explanation of Symbols

The warning marks shown below are used throughout this installation guide to prevent personal injury or property damage. Make sure you understand these warnings when reading this installation guide.

 Warning	This symbol indicates information that, if ignored, could possibly result in personal injury or even death due to incorrect handling.
 Caution	This symbol indicates information that, if ignored, could possibly result in personal injury or physical damage due to incorrect handling.
	This symbol indicates related or useful information.
	This symbol indicates helpful tips.
	Symbol indicating an action that must not be done
	Symbol indicating an action that should be done

Safety Precautions for Installation


 Warning	
The wall mount is designed specifically for mounting a projector and optional accessories to a wall. If anything other than a projector and optional accessories are mounted, the weight may result in damage.	
If the wall mount falls, it could cause personal injury or property damage.	
The installation work (wall mounting) should be performed by specialists who have technical knowledge and ability. Incomplete or incorrect installation could cause the wall mount or projector to fall and cause personal injury or property damage.	
Follow the instructions in this guide when installing the wall mount.	
If the instructions are not followed, the wall mount may fall, resulting in personal injury or property damage.	

 Warning	
Turn off the projector when installing the mount to avoid fire or electric shock.	
Handle the power cord carefully. Incorrect handling may cause fire or electric shock. Observe the following precautions when handling: <ul style="list-style-type: none"> • Do not handle the power plug with wet hands. • Do not use a power cord that is damaged or modified. • Do not pull the power cord with too much force when routing them through the wall mount. 	
Do not install the wall mount in a place where it might be subjected to vibration or shock. Vibration or shock could cause damage to the projector or mounting surface. It could also cause the wall mount or projector to fall and cause personal injury or property damage.	
Install the wall mount so that it can sufficiently support the weight of the projector and wall mount, and resist any horizontal vibration. Use M8 nuts and bolts. Nuts and bolts smaller than M8 could cause the wall mount to fall. Epson accepts no responsibility for any damage or injury caused by lack of wall strength or inadequate installation.	
The installation work should be performed by at least two qualified service personnel. If you need to loosen any screws during installation, be careful not to drop the wall mount. If the wall mount or projector falls, it could cause personal injury or property damage.	
When installing the wall mount, do not hold on to the cable cover to position the mount. Holding the mount by the cable cover could cause the cover to deatch, resulting in personal injury or property damage.	
When you mount the projector on the wall with the wall mount, the wall requires enough strength to hold the projector and the wall mount. This wall mount should be installed on a concrete wall. Confirm the weight of the projector and the wall mount before installation, and maintain the strength of the wall. If the wall is not strong enough, reinforce the wall before installation.	
If you need to loosen any screw while installing, be careful not to drop the projector or the mount. If the wall mount or projector falls, it could cause personal injury or property damage.	
Inspect the wall mount on a regular basis to ensure there are no broken parts or loose screws. If there are any broken parts, stop using the wall mount immediately. If the wall mount or projector falls, it could cause personal injury or property damage.	
Never modify the wall mount.	
Do not hang on the wall mount or hang a heavy object on the wall mount. If the projector or wall mount falls, it could cause personal injury or property damage.	
Stop using the mount and contact Epson if any of the following occur: <ul style="list-style-type: none"> • The mount is dropped or damaged during installation. • The arm unit detaches from the wall or falls. 	
Do not use adhesives, lubricants, or oils to install or adjust the wall mount. If you use adhesives to prevent the screws from loosening or things such as lubricants or oils on the part of the projector attached to the slide plate, the case may crack and cause the projector to fall, resulting in personal injury or property damage.	
Tighten all screws firmly after adjustment. Otherwise, the projector or wall mount may fall and cause personal injury or property damage.	
Never loosen the bolts and nuts after installation. Confirm that the screws have not become loose on a regular basis. If you find any loose screws, tighten them firmly. Otherwise, the projector or wall mount may fall and cause personal injury or property damage.	
When performing wiring, make sure the cable does not come into contact with any screws or bolts. Handling the cable incorrectly may cause fire or electric shock.	

Caution

Do not install the wall mount in a location where the operating temperature for your projector model may be exceeded. Such an environment may damage the projector. 

Install the wall mount in a place free from excessive dust and humidity to prevent the lens or optical components from becoming dirty. 

Do not use excessive force when adjusting the wall mount.
The wall mount may break, resulting in personal injury. 

Because the interactive module uses infrared communication, it could interfere with infrared communication from other products. If this happens, move the other product(s) out of the detection area. 

Location

- Determine where you will install the wall mount and prepare the location in advance. Also, make sure there is a gap of 16 to 26 inches (410 to 660 mm) from the top of the image projected onto the white board to the ceiling. See "Positioning the Projector" on page 12 for more details.
- Do not install the projector in a location where it might be subjected to vibration or shock. Vibration or shock could cause damage to the projector or mounting surface. It could also cause the wall mount or projector to fall, resulting in serious injury or death.
- Before installing the projector, verify the power supply wiring for the installation location.
- Install the projector away from other electric devices such as fluorescent lights or air conditioners. Some kinds of fluorescent lights could interfere with the remote control of the projector.
- Install the projector away from direct sunlight and other bright light sources.
- It is recommended to keep VGA computer cable length less than 66 feet (20 meters) to reduce external noise.

1 Package Contents  **6**

2 Specifications  **7**

3 Connecting Devices  **8**


1. Connecting Computers
2. Connecting Through a Network
3. Connecting Document Cameras
4. Using a Switch Box
5. Connecting Video Equipment
6. Connecting Audio

4 Positioning the Projector  **13**

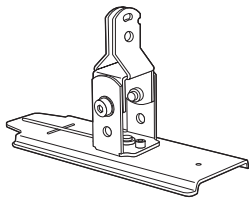
1. Installation Measurements for PowerLite 525W/535W and BrightLink 536Wi - Wide
2. Installation Measurements for PowerLite 525W/535 W and BrightLink 536Wi - Tele
3. Installation Measurements for PowerLite 520/530 - Wide
4. Installation Measurements for PowerLite 520/530 - Tele

5 Installing the Projector  **21**

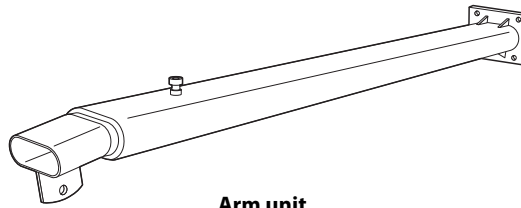
1. Install the wall plate
2. Assemble the wall mount
3. Route the cables through the arm unit
4. Attach the wall mount to the wall plate
5. Attach the attachment plate to the projector
6. Attach the projector to the adjustment unit
7. Adjust the arm length
8. Connect the power cord and other cables to the projector
9. Attach the cable cover to the projector
10. Attach the arm cover
11. Turn on the projector and check the image
12. Attach the wall plate cover

Appendix  **31**

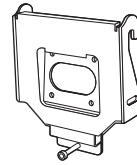
1 Package Contents



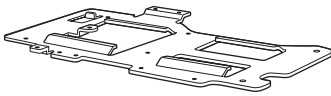
Adjustment



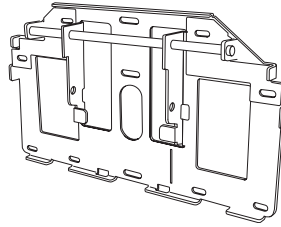
Arm unit



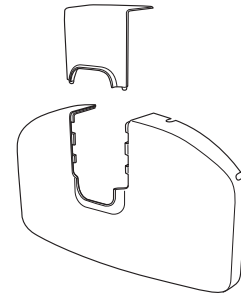
Arm plate



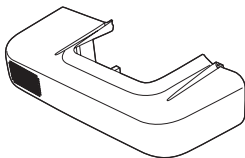
Projector attachment plate



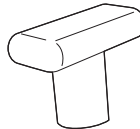
Wall plate



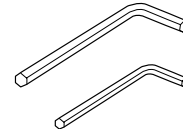
Wall plate cover



Cable cover



Arm cover



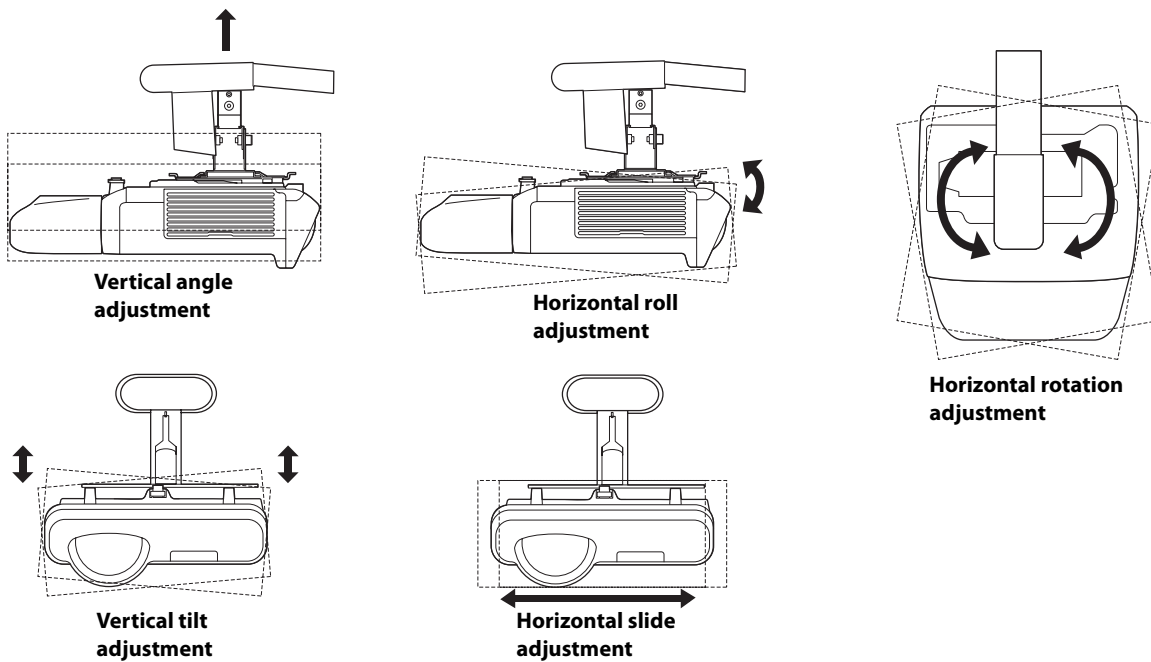
Hexagonal wrenches

Shape	Name	Quantity
	M4 × 12 mm hexagon socket head cap bolt with washer	1
	M4 × 12 mm hexagon socket head cap bolt without washer	6
	M4 × 12 mm hexagon socket head cap bolt with washer/spring washer	5
	M8 × 16 mm hexagon socket head cap bolt without washer	7

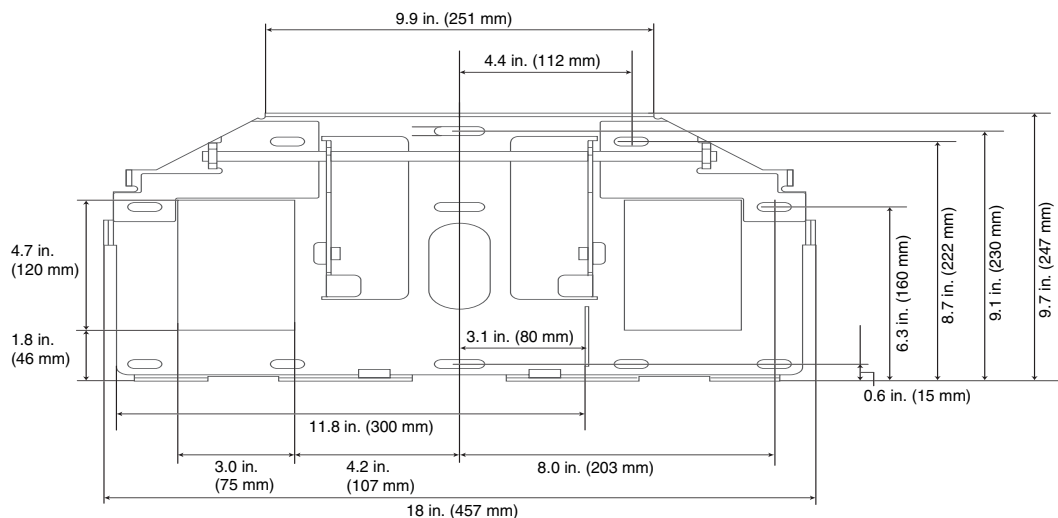
- Use the bolts or screws supplied with the wall mount to install it as directed in this guide. Do not substitute these bolts with any other types.
- You need to use commercially available M8 × 60 mm anchors (at least 3) to attach the wall plate to the wall.
- Gather the tools and parts you need before you begin installation.

2 Specifications

Item	Specification
Weight	Approx. 24 lb (11 kg)
Maximum load capacity	12.1 lb (5.5 kg)
Arm length	59.4 inches (1510 mm) (from wall plate attachment point to arm cover point)
Vertical angle adjustment range	0 to 5.3 inches (0 to 134 mm) (arm length minimum) 0 to 9.1 inches (0 to 230 mm) (arm length maximum)
Vertical tilt adjustment range	-7 to 17° (arm length minimum) -17 to 7° (arm length maximum)
Horizontal rotation adjustment range	0 to ± 5°
Horizontal roll adjustment range	0 to ± 5°
Horizontal slide adjustment range	0 to ± 1.8 inches (45 mm)



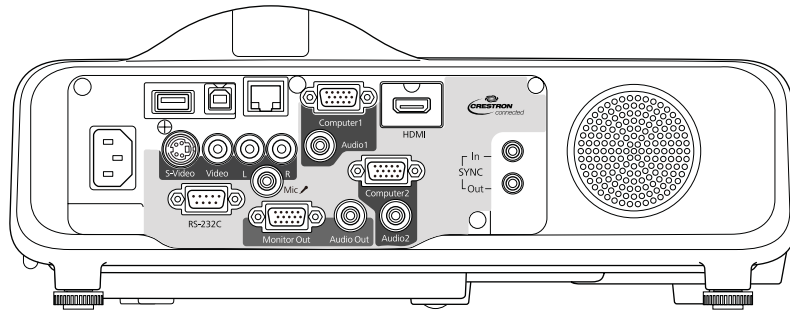
Wall plate



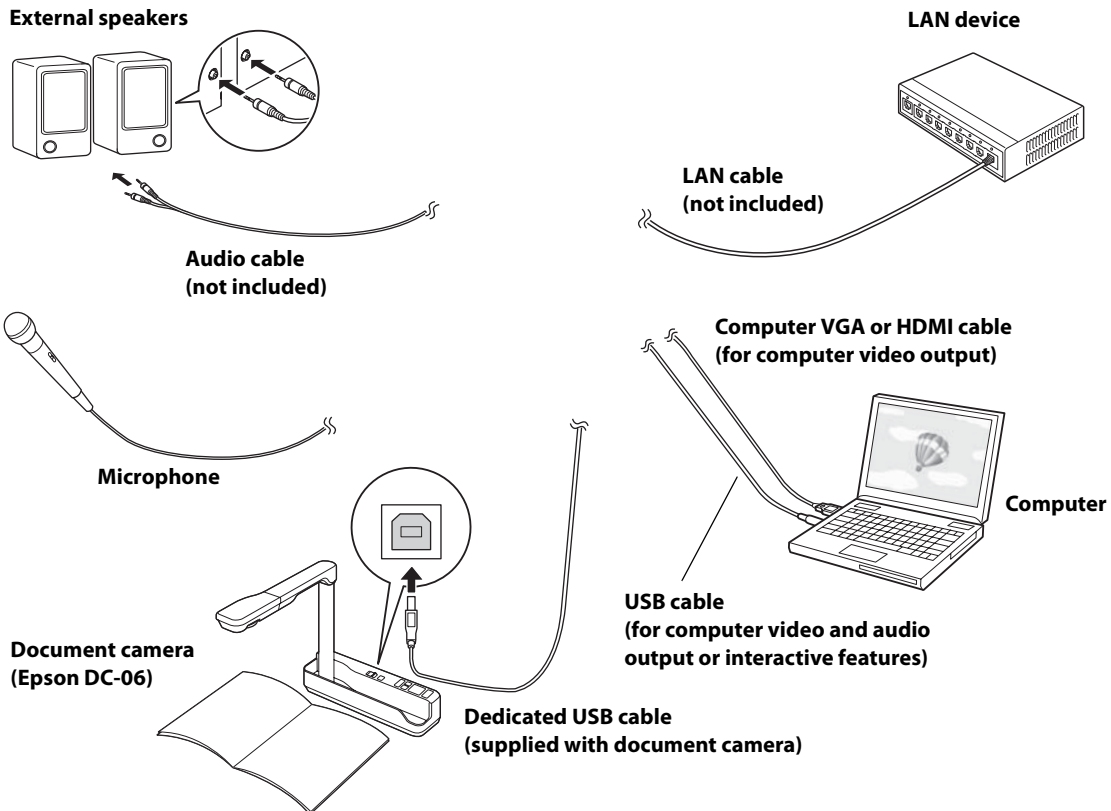
3 Connecting Devices

Make sure you have the power cord, computer VGA or HDMI cable, and other parts at the location where the wall mount is to be installed. Interactive models also require a USB cable.

Make sure you also have all necessary cables for devices, such as a document camera or microphone, that you will connect to the projector. This includes cables for any optional equipment that may be connected in the future. For details, refer to the online *User's Guide* or at epson.com/support (U.S.) or epson.ca/support (Canada).



Connection example



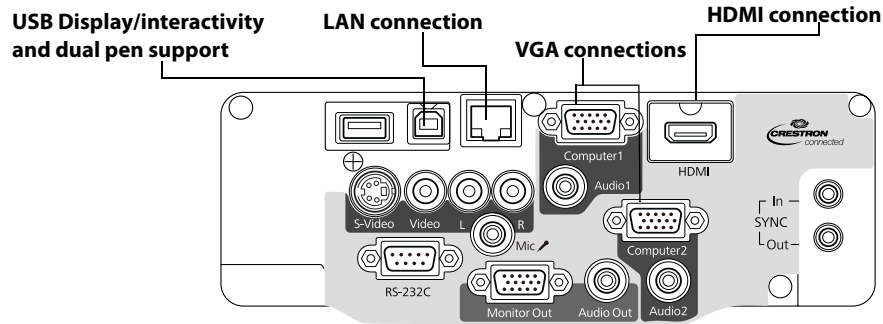
For Interactive Use

For the best performance, connect your computer to the projector using a VGA or HDMI cable.

Connecting Computers

You can use any of the following ports to connect computers to the projector:

- Computer1 or Computer2 (VGA connections)
- HDMI
- USB TypeB (USB Display, not recommended because of reduced interactive performance on interactive products)
- LAN (RJ-45)



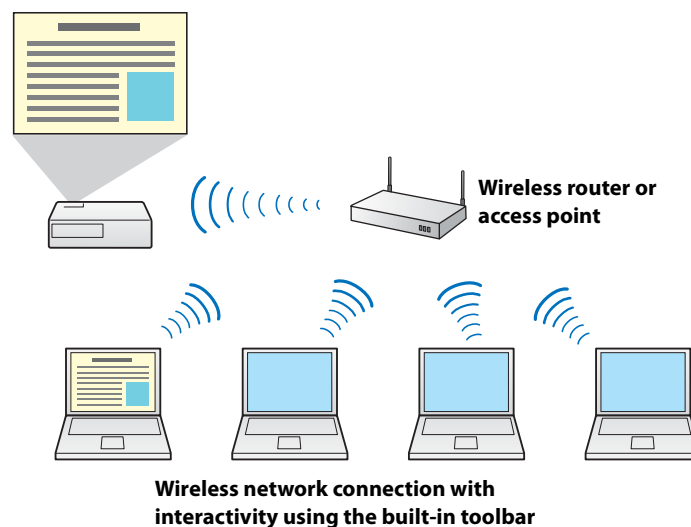
If you connect VGA cables to both the **Computer1** and **Computer2** ports, make sure you label the cables.

For computer interactive pen support (using Easy Interactive Tools or other 3rd party annotation software), you need to connect a USB cable from the computer to the projector.

Connecting Through a Network

If both the projector and computer are connected to the same network by an Ethernet cable, users can project through the network. You must install the EasyMP® Network Projection software on the computer. This software is available on the **Epson Projector Software** CD that came with the projector or at **epson.com/support** (U.S.) or **epson.ca/support** (Canada).

If your network includes a wireless router, users can connect to the projector on the network wirelessly from computers (using EasyMP Network Projection software). Users can also connect wirelessly from an iPad, iPhone, or iPod touch using the optional Epson iProjection™ app. When the projector is connected to these devices, only the built-in toolbar is available (single pen support).



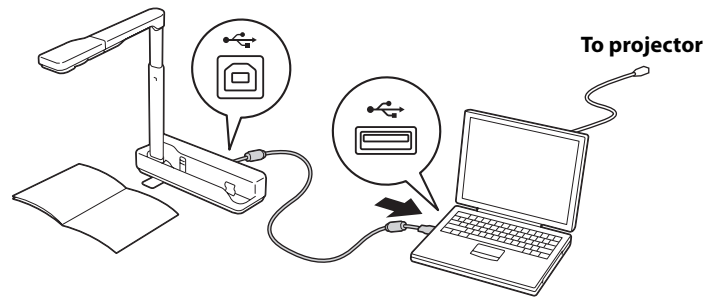
If the projector is not connected to a network via a LAN cable (or the network does not include a wireless router), you can purchase the optional wireless LAN module for the projector. This will allow wireless projection directly from a computer to the projector.

You can purchase the optional wireless LAN module (part number V12H418P12) from an Epson authorized reseller. To find the nearest reseller, call 800-GO-EPSON (800-463-7766). Or you can purchase online at epsonstore.com (U.S. sales) or epson.ca (Canadian sales).

Connecting Document Cameras

Document cameras have several different types of ports for connecting to the projector.

For cameras that have USB ports, such as the Epson DC-11 and Epson DC-06, the best way to connect is directly to the computer's USB port, as shown below. This will enable full interactivity and dual pen support (using Easy Interactive Tools software) on the document camera image.



Although you can connect the Epson DC-06 directly to the projector's **TypeA** port using a USB cable, this will provide only limited interactivity (using the built-in interactive toolbar on interactive models).

For document cameras that do not have a USB port, you can connect to the projector's VGA or HDMI ports. For interactive models, this will allow use of the projector's built-in interactive toolbar on the camera image.

If the document camera has USB and VGA/HDMI connectors, you can connect a USB cable from the camera to the computer and a VGA/HDMI cable directly to the projector from the computer's video port. This will provide two ways of connecting. The USB connection can be used when the computer is on, and the VGA/HDMI connection can be used when the teacher or another user wants to work with the document camera without turning on the computer.



On the Epson DC-11/DC-12/DC-20, when the USB cable is connected from the camera to the computer, the video display port is disabled.

Using a Switch Box

You can use a switch box or control box to connect various video inputs to the projector. However, the primary computer should always be connected directly to the projector with a USB cable for interactivity and another cable for video output (VGA, HDMI, or Ethernet). This allows maximum interactivity and dual pen support (using Easy Interactive Tools software) for the computer. The projector's built-in toolbar will be available for images from equipment connected through the switch box.

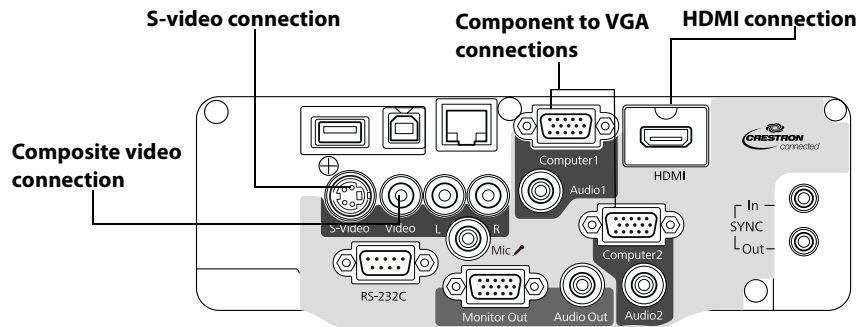
Connecting Video Equipment

You can connect various video devices, such as DVD players, satellite/cable systems, VCRs, or game systems.

Depending on the connectors available on the equipment, you can use any of the projector ports in the following list. The projector ports are listed in order from highest to lowest quality; if your equipment has multiple connectors, choose the one that provides the best quality image.

- HDMI
- Computer1 or Computer2 (with component to VGA video cable or adapter)
- S-Video

- Video (composite video)

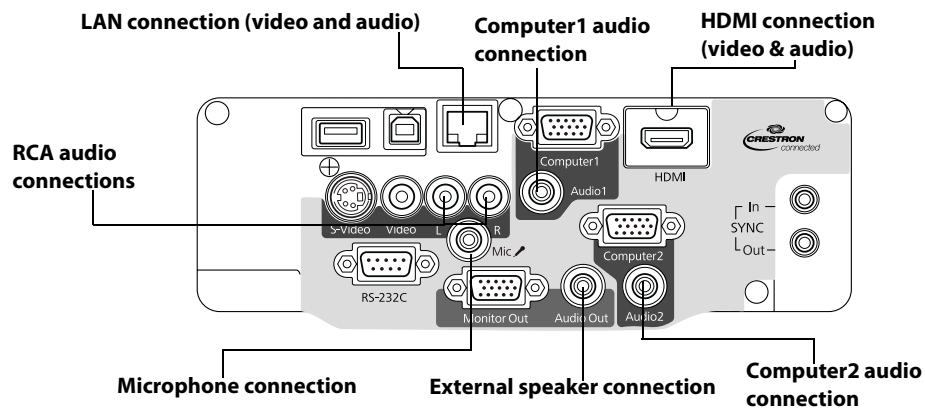


Connecting Audio

A variety of audio connections are available:

- You can connect a dynamic microphone to the **Mic** port and output the sound through the projector.
- You can also output computer audio. If you connected the computer using a VGA cable, you need to connect an optional 3.5 mm stereo mini-jack audio cable for sound. If you are using more than one audio connection, label the cables **Audio1** or **Audio2**.
- If you connected the computer using an HDMI, USB Display, or Ethernet cable, you can output both video and audio through the cable.
- To enhance the sound from your presentation, you can connect the projector to amplified or self-powered external speakers. The volume can be controlled using the projector's remote control.

If you want to output audio from the external speakers (or use the microphone) when the projector is turned off, you need to adjust the **Standby Setup** settings in the projector's Extended menu. In Standby mode, you can output only **Computer1** or **Computer2** audio or composite audio (red and white RCA connectors).



4 Positioning the Projector

BrightLink 536Wi and PowerLite 525W/535W can project up to 113 inches diagonally for a WXGA image or 100 inches diagonally for an XGA image using this mount. PowerLite 520/530 can project up to 106 inches diagonally for an XGA image. You can project onto a pre-installed whiteboard or directly onto a plain wall. The height of the included wall mount determines how high the image appears on the wall or whiteboard. The distance of the projector from the wall (once it is mounted on the adjustable arm of the wall mount) also affects image size and position.

If you are planning to project on a whiteboard, the image may not fill the entire board, depending on the aspect ratio. If you match the image height to the board's height, gaps may appear on the sides of the board.

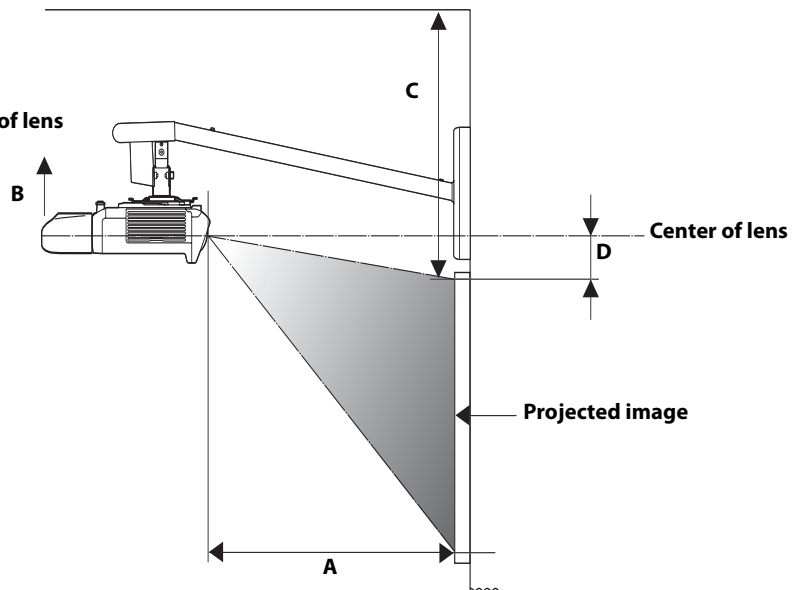
Refer to the tables on the following pages and install the mount and projector to project images at the appropriate size. The values are only a guide. The recommended projection distance is 27.6 to 46.9 inches (70 to 119 cm).

A: Minimum projection distance

B: Vertical angle adjustment

C: Distance from top of image to ceiling

D: Distance from top of image to center of lens



**A: Vertical tilt adjustment: -7 to 17° (arm length minimum)
: -17 to 7° (arm length maximum)**

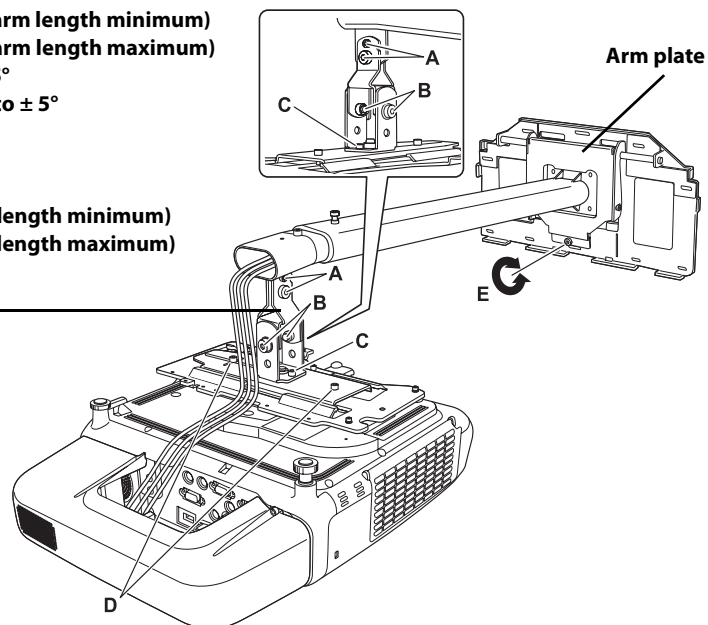
B: Horizontal roll adjustment: 0 to ± 5°

C: Horizontal rotation adjustment: 0 to ± 5°

**D: Horizontal slide adjustment:
0 to ± 1.8 inches (0 to ± 45 mm)**

**E: Vertical angle adjustment screw:
0 to 5.3 inches (0 to 134 mm) (arm length minimum)
0 to 9.1 inches (0 to 230 mm) (arm length maximum)**

Adjustment unit



The values in the measurement tables are based on a 2.4 inch (6 cm) thick whiteboard. Make sure your whiteboard is no more than 2.4 inch (6 cm) thick.

Installation Measurements for PowerLite 525W/535W and BrightLink 536Wi - Wide

Screen size	16:10 WXGA				4:3 XGA				16:9 Widescreen			
	Minimum projection distance (A)*	Vertical angle adjustment (B)**	Distance from top of image to ceiling (C)	Distance from top of image to center of lens (D)	Minimum projection distance (A)*	Vertical angle adjustment (B)**	Distance from top of image to ceiling (C)	Distance from top of image to center of lens (D)	Minimum projection distance (A)*	Vertical angle adjustment (B)**	Distance from top of image to ceiling (C)	Distance from top of image to center of lens (D)
60 in.	-	-	-	-	27.6 in. (70 cm)	1.6 in. (4 cm)	16.9 in. (43 cm)	4.3 in. (11 cm)	-	-	-	-
61 in.	-	-	-	-	28 in. (71 cm)	2 in. (5 cm)	17.3 in. (44 cm)	4.3 in. (11 cm)	-	-	-	-
62 in.	-	-	-	-	28.3 in. (72 cm)	2 in. (5 cm)	17.3 in. (44 cm)	4.3 in. (11 cm)	-	-	-	-
63 in.	-	-	-	-	29.1 in. (74 cm)	2 in. (5 cm)	17.3 in. (44 cm)	4.3 in. (11 cm)	-	-	-	-
64 in.	-	-	-	-	29.5 in. (75 cm)	2 in. (5 cm)	17.3 in. (44 cm)	4.3 in. (11 cm)	-	-	-	-
65 in.	-	-	-	-	29.9 in. (76 cm)	2 in. (5 cm)	17.3 in. (44 cm)	4.7 in. (12 cm)	-	-	-	-
66 in.	-	-	-	-	30.3 in. (77 cm)	2 in. (5 cm)	17.7 in. (45 cm)	4.7 in. (12 cm)	27.6 in. (70 cm)	3.5 in. (9 cm)	18.9 in. (48 cm)	5.9 in. (15 cm)
67 in.	-	-	-	-	31.1 in. (79 cm)	2 in. (5 cm)	17.7 in. (45 cm)	4.7 in. (12 cm)	28 in. (71 cm)	3.9 in. (10 cm)	19.2 in. (49 cm)	6.3 in. (16 cm)
68 in.	27.6 in. (70 cm)	1.6 in. (4 cm)	16.9 in. (43 cm)	4.3 in. (11 cm)	31.5 in. (80 cm)	2 in. (5 cm)	17.7 in. (45 cm)	4.7 in. (12 cm)	28.3 in. (72 cm)	3.9 in. (10 cm)	19.3 in. (49 cm)	6.3 in. (16 cm)
69 in.	27.9 in. (71 cm)	2 in. (5 cm)	17.3 in. (44 cm)	4.3 in. (11 cm)	31.9 in. (81 cm)	2 in. (5 cm)	17.7 in. (45 cm)	4.7 in. (12 cm)	28.7 in. (73 cm)	3.9 in. (10 cm)	19.3 in. (49 cm)	6.3 in. (16 cm)
70 in.	28.4 in. (72 cm)	2 in. (5 cm)	17.3 in. (44 cm)	4.3 in. (11 cm)	32.3 in. (82 cm)	2 in. (5 cm)	17.7 in. (45 cm)	5.1 in. (13 cm)	29.1 in. (74 cm)	3.9 in. (10 cm)	19.3 in. (49 cm)	6.3 in. (16 cm)
71 in.	29 in. (73 cm)	2 in. (5 cm)	17.3 in. (44 cm)	4.3 in. (11 cm)	32.7 in. (83 cm)	2 in. (5 cm)	18.1 in. (46 cm)	5.1 in. (13 cm)	29.5 in. (75 cm)	3.9 in. (10 cm)	19.7 in. (50 cm)	6.3 in. (16 cm)
72 in.	29.1 in. (74 cm)	2 in. (5 cm)	17.3 in. (44 cm)	4.3 in. (11 cm)	33.5 in. (85 cm)	2 in. (5 cm)	18.1 in. (46 cm)	5.1 in. (13 cm)	30.3 in. (77 cm)	3.9 in. (10 cm)	19.7 in. (50 cm)	6.7 in. (17 cm)
73 in.	29.5 in. (75 cm)	2 in. (5 cm)	17.3 in. (44 cm)	4.7 in. (12 cm)	33.9 in. (86 cm)	2 in. (5 cm)	18.1 in. (46 cm)	5.1 in. (13 cm)	30.7 in. (78 cm)	3.9 in. (10 cm)	19.7 in. (50 cm)	6.7 in. (17 cm)
74 in.	30.3 in. (77 cm)	2 in. (5 cm)	17.7 in. (45 cm)	4.7 in. (12 cm)	34.3 in. (87 cm)	2.4 in. (6 cm)	18.1 in. (46 cm)	5.1 in. (13 cm)	31.1 in. (79 cm)	3.9 in. (10 cm)	19.7 in. (50 cm)	6.7 in. (17 cm)
75 in.	30.7 in. (78 cm)	2 in. (5 cm)	17.7 in. (45 cm)	4.7 in. (12 cm)	34.7 in. (88 cm)	2.4 in. (6 cm)	18.1 in. (46 cm)	5.1 in. (13 cm)	31.5 in. (80 cm)	3.9 in. (10 cm)	19.7 in. (50 cm)	6.7 in. (17 cm)
76 in.	31.1 in. (79 cm)	2 in. (5 cm)	17.7 in. (45 cm)	4.7 in. (12 cm)	35.4 in. (90 cm)	2.4 in. (6 cm)	18.5 in. (47 cm)	5.5 in. (14 cm)	31.9 in. (81 cm)	4.3 in. (11 cm)	20.1 in. (51 cm)	7.1 in. (18 cm)
77 in.	31.5 in. (80 cm)	2 in. (5 cm)	17.7 in. (45 cm)	4.7 in. (12 cm)	35.8 in. (91 cm)	2.4 in. (6 cm)	18.5 in. (47 cm)	5.5 in. (14 cm)	32.3 in. (82 cm)	4.3 in. (11 cm)	20.1 in. (51 cm)	7.1 in. (18 cm)
78 in.	31.9 in. (81 cm)	2 in. (5 cm)	17.7 in. (45 cm)	4.7 in. (12 cm)	36.2 in. (92 cm)	2.4 in. (6 cm)	18.5 in. (47 cm)	5.5 in. (14 cm)	32.7 in. (83 cm)	4.3 in. (11 cm)	20.1 in. (51 cm)	7.1 in. (18 cm)

Screen size	16:10 WXGA				4:3 XGA				16:9 Widescreen			
	Minimum projection distance (A)*	Vertical angle adjustment (B)**	Distance from top of image to ceiling (C)	Distance from top of image to center of lens (D)	Minimum projection distance (A)*	Vertical angle adjustment (B)**	Distance from top of image to ceiling (C)	Distance from top of image to center of lens (D)	Minimum projection distance (A)*	Vertical angle adjustment (B)**	Distance from top of image to ceiling (C)	Distance from top of image to center of lens (D)
79 in.	32.3 in. (82 cm)	2 in. (5 cm)	17.7 in. (45 cm)	4.7 in. (12 cm)	36.6 in. (93 cm)	2.4 in. (6 cm)	18.5 in. (47 cm)	5.5 in. (14 cm)	33.1 in. (84 cm)	4.3 in. (11 cm)	20.1 in. (51 cm)	7.1 in. (18 cm)
80 in.	32.7 in. (83 cm)	2 in. (5 cm)	18.1 in. (46 cm)	5.1 in. (13 cm)	37 in. (94 cm)	2.4 in. (6 cm)	18.5 in. (47 cm)	5.5 in. (14 cm)	33.5 in. (85 cm)	4.3 in. (11 cm)	20.5 in. (52 cm)	7.5 in. (19 cm)
81 in.	33 in. (84 cm)	2 in. (5 cm)	18.1 in. (46 cm)	5.1 in. (13 cm)	37.8 in. (96 cm)	2.4 in. (6 cm)	18.5 in. (47 cm)	5.9 in. (15 cm)	34.3 in. (87 cm)	4.3 in. (11 cm)	20.5 in. (52 cm)	7.5 in. (19 cm)
82 in.	33.5 in. (85 cm)	2.4 in. (6 cm)	18.1 in. (46 cm)	5.1 in. (13 cm)	38.2 in. (97 cm)	2.4 in. (6 cm)	18.5 in. (47 cm)	5.9 in. (15 cm)	34.7 in. (88 cm)	4.3 in. (11 cm)	20.5 in. (52 cm)	7.5 in. (19 cm)
83 in.	33.9 in. (86 cm)	2.4 in. (6 cm)	18.1 in. (46 cm)	5.1 in. (13 cm)	38.6 in. (98 cm)	2.4 in. (6 cm)	18.5 in. (47 cm)	5.9 in. (15 cm)	35 in. (89 cm)	4.3 in. (11 cm)	20.5 in. (52 cm)	7.5 in. (19 cm)
84 in.	34.3 in. (87 cm)	2.4 in. (6 cm)	18.1 in. (46 cm)	5.1 in. (13 cm)	39 in. (99 cm)	2.4 in. (6 cm)	18.5 in. (47 cm)	5.9 in. (15 cm)	35.4 in. (90 cm)	4.3 in. (11 cm)	20.9 in. (53 cm)	7.5 in. (19 cm)
85 in.	34.7 in. (88 cm)	2.4 in. (6 cm)	18.1 in. (46 cm)	5.1 in. (13 cm)	39.8 in. (101 cm)	2.4 in. (6 cm)	18.9 in. (48 cm)	5.9 in. (15 cm)	35.8 in. (91 cm)	4.7 in. (12 cm)	20.9 in. (53 cm)	7.9 in. (20 cm)
86 in.	35.4 in. (90 cm)	2.4 in. (6 cm)	18.5 in. (47 cm)	5.5 in. (14 cm)	40.2 in. (102 cm)	2.4 in. (6 cm)	19.3 in. (49 cm)	5.9 in. (15 cm)	36.2 in. (92 cm)	4.7 in. (12 cm)	20.9 in. (53 cm)	7.9 in. (20 cm)
87 in.	35.8 in. (91 cm)	2.4 in. (6 cm)	18.5 in. (47 cm)	5.5 in. (14 cm)	40.6 in. (103 cm)	2.4 in. (6 cm)	19.3 in. (49 cm)	6.3 in. (16 cm)	36.6 in. (93 cm)	4.7 in. (12 cm)	20.9 in. (53 cm)	7.9 in. (20 cm)
88 in.	36.2 in. (92 cm)	2.4 in. (6 cm)	18.5 in. (47 cm)	5.5 in. (14 cm)	40.9 in. (104 cm)	2.8 in. (7 cm)	19.3 in. (49 cm)	6.3 in. (16 cm)	37 in. (94 cm)	4.7 in. (12 cm)	20.9 in. (53 cm)	7.9 in. (20 cm)
89 in.	36.6 in. (93 cm)	2.4 in. (6 cm)	18.5 in. (47 cm)	5.5 in. (14 cm)	41.3 in. (105 cm)	2.8 in. (7 cm)	19.3 in. (49 cm)	6.3 in. (16 cm)	37.4 in. (95 cm)	4.7 in. (12 cm)	21.3 in. (54 cm)	8.3 in. (21 cm)
90 in.	37 in. (94 cm)	2.4 in. (6 cm)	18.5 in. (47 cm)	5.5 in. (14 cm)	42.1 in. (107 cm)	2.8 in. (7 cm)	19.3 in. (49 cm)	6.3 in. (16 cm)	38.2 in. (97 cm)	4.7 in. (12 cm)	21.3 in. (54 cm)	8.3 in. (21 cm)
91 in.	37.4 in. (95 cm)	2.4 in. (6 cm)	18.9 in. (48 cm)	5.5 in. (14 cm)	42.5 in. (108 cm)	2.8 in. (7 cm)	19.7 in. (50 cm)	6.3 in. (16 cm)	38.6 in. (98 cm)	4.7 in. (12 cm)	21.3 in. (54 cm)	8.3 in. (21 cm)
92 in.	37.8 in. (96 cm)	2.4 in. (6 cm)	18.9 in. (48 cm)	5.9 in. (15 cm)	42.9 in. (109 cm)	2.8 in. (7 cm)	19.7 in. (50 cm)	6.3 in. (16 cm)	39 in. (99 cm)	4.7 in. (12 cm)	21.3 in. (54 cm)	8.3 in. (21 cm)
93 in.	38.2 in. (97 cm)	2.4 in. (6 cm)	18.9 in. (48 cm)	5.9 in. (15 cm)	43.3 in. (110 cm)	2.8 in. (7 cm)	19.7 in. (50 cm)	6.7 in. (17 cm)	39.4 in. (100 cm)	5.1 in. (13 cm)	21.7 in. (55 cm)	8.7 in. (22 cm)
94 in.	38.6 in. (98 cm)	2.4 in. (6 cm)	18.9 in. (48 cm)	5.9 in. (15 cm)	43.7 in. (111 cm)	2.8 in. (7 cm)	19.7 in. (50 cm)	6.7 in. (17 cm)	39.8 in. (101 cm)	5.1 in. (13 cm)	21.7 in. (55 cm)	8.7 in. (22 cm)
95 in.	39 in. (99 cm)	2.4 in. (6 cm)	18.9 in. (48 cm)	5.9 in. (15 cm)	44.5 in. (113 cm)	2.8 in. (7 cm)	19.7 in. (50 cm)	6.7 in. (17 cm)	40.2 in. (102 cm)	5.1 in. (13 cm)	21.7 in. (55 cm)	8.7 in. (22 cm)
96 in.	39.4 in. (100 cm)	2.4 in. (6 cm)	18.9 in. (48 cm)	5.9 in. (15 cm)	44.9 in. (114 cm)	2.8 in. (7 cm)	20.1 in. (51 cm)	6.7 in. (17 cm)	40.6 in. (103 cm)	5.1 in. (13 cm)	21.7 in. (55 cm)	8.7 in. (22 cm)
97 in.	39.8 in. (101 cm)	2.8 in. (7 cm)	19.3 in. (49 cm)	5.9 in. (15 cm)	45.3 in. (115 cm)	2.8 in. (7 cm)	20.1 in. (51 cm)	6.7 in. (17 cm)	40.9 in. (104 cm)	5.1 in. (13 cm)	21.7 in. (55 cm)	8.7 in. (22 cm)
98 in.	40.2 in. (102 cm)	2.8 in. (7 cm)	19.3 in. (49 cm)	6.3 in. (16 cm)	45.7 in. (116 cm)	2.8 in. (7 cm)	20.1 in. (51 cm)	7.1 in. (18 cm)	41.3 in. (105 cm)	5.1 in. (13 cm)	22.1 in. (56 cm)	9.1 in. (23 cm)

Screen size	16:10 WXGA				4:3 XGA				16:9 Widescreen			
	Minimum projection distance (A)*	Vertical angle adjustment (B)**	Distance from top of image to ceiling (C)	Distance from top of image to center of lens (D)	Minimum projection distance (A)*	Vertical angle adjustment (B)**	Distance from top of image to ceiling (C)	Distance from top of image to center of lens (D)	Minimum projection distance (A)*	Vertical angle adjustment (B)**	Distance from top of image to ceiling (C)	Distance from top of image to center of lens (D)
99 in.	40.9 in. (104 cm)	2.8 in. (7 cm)	19.3 in. (49 cm)	6.3 in. (16 cm)	46.5 in. (118 cm)	2.8 in. (7 cm)	20.1 in. (51 cm)	7.1 in. (18 cm)	41.7 in. (106 cm)	5.1 in. (13 cm)	22.1 in. (56 cm)	9.1 in. (23 cm)
100 in.	41.3 in. (105 cm)	2.8 in. (7 cm)	19.3 in. (49 cm)	6.3 in. (16 cm)	46.9 in. (119 cm)	2.8 in. (7 cm)	20.1 in. (51 cm)	7.1 in. (18 cm)	42.5 in. (108 cm)	5.1 in. (13 cm)	22.1 in. (56 cm)	9.1 in. (23 cm)
101 in.	41.7 in. (106 cm)	2.8 in. (7 cm)	19.3 in. (49 cm)	6.3 in. (16 cm)	-	-	-	-	42.9 in. (109 cm)	5.1 in. (13 cm)	22.1 in. (56 cm)	9.1 in. (23 cm)
102 in.	42.1 in. (107 cm)	2.8 in. (7 cm)	19.3 in. (49 cm)	6.3 in. (16 cm)	-	-	-	-	43.3 in. (110 cm)	5.5 in. (14 cm)	22.4 in. (57 cm)	9.4 in. (24 cm)
103 in.	42.5 in. (108 cm)	2.8 in. (7 cm)	19.7 in. (50 cm)	6.3 in. (16 cm)	-	-	-	-	43.7 in. (111 cm)	5.5 in. (14 cm)	22.4 in. (57 cm)	9.4 in. (24 cm)
104 in.	42.9 in. (109 cm)	2.8 in. (7 cm)	19.7 in. (50 cm)	6.3 in. (16 cm)	-	-	-	-	44.1 in. (112 cm)	5.5 in. (14 cm)	22.4 in. (57 cm)	9.4 in. (24 cm)
105 in.	43.3 in. (110 cm)	2.8 in. (7 cm)	19.7 in. (50 cm)	6.7 in. (17 cm)	-	-	-	-	44.5 in. (113 cm)	5.5 in. (14 cm)	22.4 in. (57 cm)	9.4 in. (24 cm)
106 in.	43.7 in. (111 cm)	2.8 in. (7 cm)	19.7 in. (50 cm)	6.7 in. (17 cm)	-	-	-	-	44.9 in. (114 cm)	5.5 in. (14 cm)	22.8 in. (58 cm)	9.8 in. (25 cm)
107 in.	44.1 in. (112 cm)	2.8 in. (7 cm)	19.7 in. (50 cm)	6.7 in. (17 cm)	-	-	-	-	45.3 in. (115 cm)	5.5 in. (14 cm)	22.8 in. (58 cm)	9.8 in. (25 cm)
108 in.	44.5 in. (113 cm)	2.8 in. (7 cm)	20.1 in. (51 cm)	6.7 in. (17 cm)	-	-	-	-	45.7 in. (116 cm)	5.5 in. (14 cm)	22.8 in. (58 cm)	9.8 in. (25 cm)
109 in.	44.9 in. (114 cm)	2.8 in. (7 cm)	20.1 in. (51 cm)	6.7 in. (17 cm)	-	-	-	-	46.5 in. (118 cm)	5.5 in. (14 cm)	22.8 in. (58 cm)	9.8 in. (25 cm)
110 in.	45.3 in. (115 cm)	2.8 in. (7 cm)	20.1 in. (51 cm)	6.7 in. (17 cm)	-	-	-	-	46.9 in. (119 cm)	5.5 in. (14 cm)	22.8 in. (58 cm)	9.8 in. (25 cm)
111 in.	45.7 in. (116 cm)	2.8 in. (7 cm)	20.1 in. (51 cm)	7.1 in. (18 cm)	-	-	-	-	-	-	-	-
112 in.	46.5 in. (118 cm)	2.8 in. (7 cm)	20.1 in. (51 cm)	7.1 in. (18 cm)	-	-	-	-	-	-	-	-
113 in.	46.9 in. (119 cm)	2.8 in. (7 cm)	20.1 in. (51 cm)	7.1 in. (18 cm)	-	-	-	-	-	-	-	-

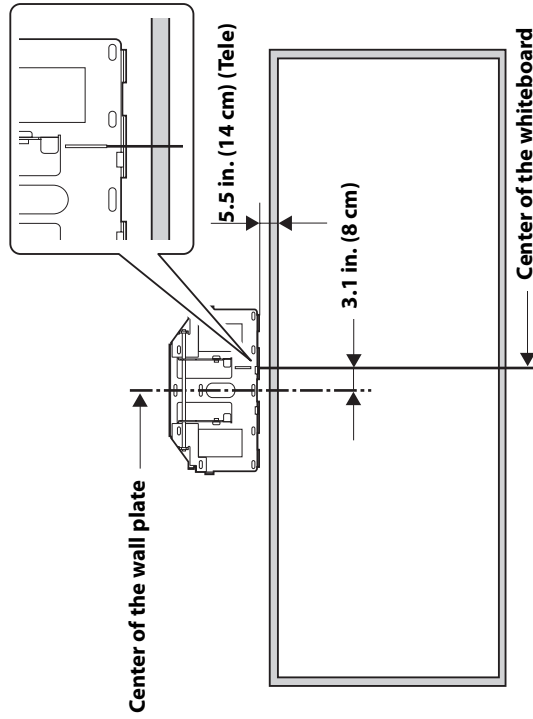
* Projection distance is measured from the projector lens to the projection surface.

** Vertical adjustments are made with the vertical angle adjustment screw. (See item "E" in the image on page 12).

Installation Measurements for PowerLite 525W/535 W and BrightLink 536Wi - Tele

	Screen size range	Projection distance range (A)	Vertical adjustment range (B)	Distance from top of projected image to ceiling range (C)
16:10 WXGA*	50 - 84 in.	27.6 - 46.9 in. (70 - 119 cm)	0 - 6.7 in. (0 - 17 cm)	20.1 - 26 in. (51 - 66 cm)
4:3 XGA*	44 - 74 in.	27.2 - 46.9 in. (69 - 119 cm)	0 - 6.7 in. (0 - 17 cm)	20.1 - 26 in. (51 - 66 cm)
16:9 Widescreen*	48 - 82 in.	27.2 - 46.9 in. (69 - 119 cm)	2 - 9.1 in. (5 - 23 cm)	17.7 - 23.6 in. (45 - 60 cm)

* Allow at least 5.5 in. (14 cm) of space between the top of the whiteboard and the bottom of the wall plate.



Installation Measurements for PowerLite 520/530 - Wide

Screen size	16:10 WXGA				4:3 XGA				16:9 Widescreen			
	Minimum projection distance (A)*	Vertical angle adjustment (B)**	Distance from top of image to ceiling (C)	Distance from top of image to center of lens (D)	Minimum projection distance (A)*	Vertical angle adjustment (B)**	Distance from top of image to ceiling (C)	Distance from top of image to center of lens (D)	Minimum projection distance (A)*	Vertical angle adjustment (B)**	Distance from top of image to ceiling (C)	Distance from top of image to center of lens (D)
58 in.	-	-	-	-	-	-	-	-	27.6 in. (70 cm)	5.9 in. (15 cm)	20.9 in. (53 cm)	7.9 in. (20 cm)
59 in.	-	-	-	-	-	-	-	-	28 in. (71 cm)	6.3 in. (16 cm)	21.3 in. (54 cm)	8.3 in. (21 cm)
60 in.	27.6 in. (70 cm)	4.3 in. (11 cm)	19.3 in. (49 cm)	6.3 in. (16 cm)	-	-	-	-	28.4 in. (72 cm)	6.3 in. (16 cm)	21.3 in. (54 cm)	8.3 in. (21 cm)
61 in.	28.4 in. (72 cm)	4.7 in. (12 cm)	19.7 in. (50 cm)	6.7 in. (17 cm)	-	-	-	-	29.1 in. (74 cm)	6.3 in. (16 cm)	21.7 in. (55 cm)	8.3 in. (21 cm)
62 in.	28.7 in. (73 cm)	4.7 in. (12 cm)	19.7 in. (50 cm)	6.7 in. (17 cm)	-	-	-	-	29.5 in. (75 cm)	6.3 in. (16 cm)	21.7 in. (55 cm)	8.7 in. (22 cm)
63 in.	29.1 in. (74 cm)	4.7 in. (12 cm)	19.7 in. (50 cm)	6.7 in. (17 cm)	27.6 in. (70 cm)	0.8 in. (2 cm)	16.1 in. (41 cm)	3.1 in. (8 cm)	29.9 in. (76 cm)	6.3 in. (16 cm)	21.7 in. (55 cm)	8.7 in. (22 cm)
64 in.	29.5 in. (75 cm)	4.7 in. (12 cm)	20.1 in. (51 cm)	6.7 in. (17 cm)	28 in. (71 cm)	0.8 in. (2 cm)	16.5 in. (42 cm)	3.1 in. (8 cm)	30.3 in. (77 cm)	6.7 in. (17 cm)	22.1 in. (56 cm)	8.7 in. (22 cm)
65 in.	29.9 in. (76 cm)	4.7 in. (12 cm)	20.1 in. (51 cm)	7.1 in. (18 cm)	28.4 in. (72 cm)	0.8 in. (2 cm)	16.5 in. (42 cm)	3.1 in. (8 cm)	31.1 in. (79 cm)	6.7 in. (17 cm)	22.1 in. (56 cm)	9.1 in. (23 cm)
66 in.	30.7 in. (78 cm)	4.7 in. (12 cm)	20.1 in. (51 cm)	7.1 in. (18 cm)	28.7 in. (73 cm)	0.8 in. (2 cm)	16.5 in. (42 cm)	3.5 in. (9 cm)	31.5 in. (80 cm)	6.7 in. (17 cm)	22.1 in. (56 cm)	9.1 in. (23 cm)
67 in.	31.1 in. (79 cm)	5.1 in. (13 cm)	20.1 in. (51 cm)	7.1 in. (18 cm)	29.1 in. (74 cm)	0.8 in. (2 cm)	16.5 in. (42 cm)	3.5 in. (9 cm)	31.9 in. (81 cm)	6.7 in. (17 cm)	22.4 in. (57 cm)	9.1 in. (23 cm)
68 in.	31.5 in. (80 cm)	5.1 in. (13 cm)	20.5 in. (52 cm)	7.1 in. (18 cm)	29.5 in. (75 cm)	0.8 in. (2 cm)	16.5 in. (42 cm)	3.5 in. (9 cm)	32.3 in. (82 cm)	6.7 in. (17 cm)	22.4 in. (57 cm)	9.4 in. (24 cm)
69 in.	31.9 in. (81 cm)	5.1 in. (13 cm)	20.5 in. (52 cm)	7.5 in. (19 cm)	30.3 in. (77 cm)	0.8 in. (2 cm)	16.5 in. (42 cm)	3.5 in. (9 cm)	33.1 in. (84 cm)	7.1 in. (18 cm)	22.4 in. (57 cm)	9.4 in. (24 cm)
70 in.	32.7 in. (83 cm)	5.1 in. (13 cm)	20.5 in. (52 cm)	7.5 in. (19 cm)	30.7 in. (78 cm)	0.8 in. (2 cm)	16.5 in. (42 cm)	3.5 in. (9 cm)	33.5 in. (85 cm)	7.1 in. (18 cm)	22.8 in. (58 cm)	9.4 in. (24 cm)
71 in.	33.1 in. (84 cm)	5.1 in. (13 cm)	20.5 in. (52 cm)	7.5 in. (19 cm)	31.1 in. (79 cm)	0.8 in. (2 cm)	16.9 in. (43 cm)	3.5 in. (9 cm)	33.9 in. (86 cm)	7.1 in. (18 cm)	22.8 in. (58 cm)	9.8 in. (25 cm)
72 in.	33.5 in. (85 cm)	5.1 in. (13 cm)	20.9 in. (53 cm)	7.9 in. (20 cm)	31.5 in. (80 cm)	0.8 in. (2 cm)	16.9 in. (43 cm)	3.5 in. (9 cm)	34.3 in. (87 cm)	7.1 in. (18 cm)	22.8 in. (58 cm)	9.8 in. (25 cm)
73 in.	33.9 in. (86 cm)	5.1 in. (13 cm)	20.9 in. (53 cm)	7.9 in. (20 cm)	31.9 in. (81 cm)	0.8 in. (2 cm)	16.9 in. (43 cm)	3.5 in. (9 cm)	35 in. (89 cm)	7.5 in. (19 cm)	23.2 in. (59 cm)	9.8 in. (25 cm)
74 in.	34.3 in. (87 cm)	5.5 in. (14 cm)	20.9 in. (53 cm)	7.9 in. (20 cm)	32.3 in. (82 cm)	0.8 in. (2 cm)	16.9 in. (43 cm)	3.9 in. (10 cm)	35.4 in. (90 cm)	7.5 in. (19 cm)	23.2 in. (59 cm)	10.2 in. (26 cm)
75 in.	35 in. (89 cm)	5.5 in. (14 cm)	21.3 in. (54 cm)	7.9 in. (20 cm)	32.7 in. (83 cm)	0.8 in. (2 cm)	16.9 in. (43 cm)	3.9 in. (10 cm)	35.8 in. (91 cm)	7.5 in. (19 cm)	23.6 in. (60 cm)	10.2 in. (26 cm)
76 in.	35.4 in. (90 cm)	5.5 in. (14 cm)	21.3 in. (54 cm)	8.3 in. (21 cm)	33.5 in. (85 cm)	0.8 in. (2 cm)	16.9 in. (43 cm)	3.9 in. (10 cm)	36.2 in. (92 cm)	7.5 in. (19 cm)	23.6 in. (60 cm)	10.2 in. (26 cm)

Screen size	16:10 WXGA				4:3 XGA				16:9 Widescreen			
	Minimum projection distance (A)*	Vertical angle adjustment (B)**	Distance from top of image to ceiling (C)	Distance from top of image to center of lens (D)	Minimum projection distance (A)*	Vertical angle adjustment (B)**	Distance from top of image to ceiling (C)	Distance from top of image to center of lens (D)	Minimum projection distance (A)*	Vertical angle adjustment (B)**	Distance from top of image to ceiling (C)	Distance from top of image to center of lens (D)
77 in.	35.8 in. (91 cm)	5.5 in. (14 cm)	21.3 in. (54 cm)	8.3 in. (21 cm)	33.9 in. (86 cm)	0.8 in. (2 cm)	16.9 in. (43 cm)	3.9 in. (10 cm)	37 in. (94 cm)	7.5 in. (19 cm)	23.6 in. (60 cm)	10.6 in. (27 cm)
78 in.	36.2 in. (92 cm)	5.5 in. (14 cm)	21.3 in. (54 cm)	8.3 in. (21 cm)	34.3 in. (87 cm)	0.8 in. (2 cm)	17.3 in. (44 cm)	3.9 in. (10 cm)	37.4 in. (95 cm)	7.9 in. (20 cm)	23.6 in. (60 cm)	10.6 in. (27 cm)
79 in.	37 in. (94 cm)	5.5 in. (14 cm)	21.7 in. (55 cm)	8.3 in. (21 cm)	34.7 in. (88 cm)	0.8 in. (2 cm)	17.3 in. (44 cm)	3.9 in. (10 cm)	37.8 in. (96 cm)	7.9 in. (20 cm)	23.6 in. (60 cm)	11 in. (28 cm)
80 in.	37.4 in. (95 cm)	5.5 in. (14 cm)	21.7 in. (55 cm)	8.7 in. (22 cm)	35 in. (89 cm)	0.8 in. (2 cm)	17.3 in. (44 cm)	3.9 in. (10 cm)	38.6 in. (98 cm)	7.9 in. (20 cm)	23.6 in. (60 cm)	11 in. (28 cm)
81 in.	37.8 in. (96 cm)	5.9 in. (15 cm)	21.7 in. (55 cm)	8.7 in. (22 cm)	35.4 in. (90 cm)	0.8 in. (2 cm)	17.3 in. (44 cm)	3.9 in. (10 cm)	39 in. (99 cm)	7.9 in. (20 cm)	23.6 in. (60 cm)	11 in. (28 cm)
82 in.	38.2 in. (97 cm)	5.9 in. (15 cm)	22.1 in. (56 cm)	8.7 in. (22 cm)	36.2 in. (92 cm)	0.8 in. (2 cm)	17.3 in. (44 cm)	4.3 in. (11 cm)	39.4 in. (100 cm)	7.9 in. (20 cm)	23.6 in. (60 cm)	11.4 in. (29 cm)
83 in.	38.6 in. (98 cm)	5.9 in. (15 cm)	22.1 in. (56 cm)	9.1 in. (23 cm)	36.6 in. (93 cm)	0.8 in. (2 cm)	17.3 in. (44 cm)	4.3 in. (11 cm)	39.8 in. (101 cm)	8.3 in. (21 cm)	23.6 in. (60 cm)	11.4 in. (29 cm)
84 in.	39.4 in. (100 cm)	5.9 in. (15 cm)	22.1 in. (56 cm)	9.1 in. (23 cm)	37 in. (94 cm)	0.8 in. (2 cm)	17.3 in. (44 cm)	4.3 in. (11 cm)	40.6 in. (103 cm)	8.3 in. (21 cm)	23.6 in. (60 cm)	11.4 in. (29 cm)
85 in.	39.8 in. (101 cm)	5.9 in. (15 cm)	22.1 in. (56 cm)	9.1 in. (23 cm)	37.4 in. (95 cm)	0.8 in. (2 cm)	17.7 in. (45 cm)	4.3 in. (11 cm)	40.9 in. (104 cm)	8.3 in. (21 cm)	23.6 in. (60 cm)	11.8 in. (30 cm)
86 in.	40.2 in. (102 cm)	5.9 in. (15 cm)	22.4 in. (57 cm)	9.1 in. (23 cm)	37.8 in. (96 cm)	0.8 in. (2 cm)	17.7 in. (45 cm)	4.3 in. (11 cm)	41.3 in. (105 cm)	8.3 in. (21 cm)	23.6 in. (60 cm)	11.8 in. (30 cm)
87 in.	40.6 in. (103 cm)	6.3 in. (16 cm)	22.4 in. (57 cm)	9.4 in. (24 cm)	38.2 in. (97 cm)	0.8 in. (2 cm)	17.7 in. (45 cm)	4.3 in. (11 cm)	41.7 in. (106 cm)	8.3 in. (21 cm)	23.6 in. (60 cm)	11.8 in. (30 cm)
88 in.	41.3 in. (105 cm)	6.3 in. (16 cm)	22.4 in. (57 cm)	9.4 in. (24 cm)	38.6 in. (98 cm)	0.8 in. (2 cm)	17.7 in. (45 cm)	4.3 in. (11 cm)	42.5 in. (108 cm)	8.7 in. (22 cm)	23.6 in. (60 cm)	12.2 in. (31 cm)
89 in.	41.7 in. (106 cm)	6.3 in. (16 cm)	22.4 in. (57 cm)	9.4 in. (24 cm)	39.4 in. (100 cm)	0.8 in. (2 cm)	17.7 in. (45 cm)	4.3 in. (11 cm)	42.9 in. (109 cm)	8.7 in. (22 cm)	23.6 in. (60 cm)	12.2 in. (31 cm)
90 in.	42.1 in. (107 cm)	6.3 in. (16 cm)	22.8 in. (58 cm)	9.4 in. (24 cm)	39.8 in. (101 cm)	0.8 in. (2 cm)	17.7 in. (45 cm)	4.7 in. (12 cm)	43.3 in. (110 cm)	8.7 in. (22 cm)	23.6 in. (60 cm)	12.2 in. (31 cm)
91 in.	42.5 in. (108 cm)	6.3 in. (16 cm)	22.8 in. (58 cm)	9.8 in. (25 cm)	40.2 in. (102 cm)	0.8 in. (2 cm)	17.7 in. (45 cm)	4.7 in. (12 cm)	43.7 in. (111 cm)	8.7 in. (22 cm)	23.6 in. (60 cm)	12.6 in. (32 cm)
92 in.	42.9 in. (109 cm)	6.3 in. (16 cm)	22.8 in. (58 cm)	9.8 in. (25 cm)	40.6 in. (103 cm)	0.8 in. (2 cm)	17.7 in. (45 cm)	4.7 in. (12 cm)	44.5 in. (113 cm)	8.7 in. (22 cm)	23.6 in. (60 cm)	12.6 in. (32 cm)
93 in.	43.7 in. (111 cm)	6.3 in. (16 cm)	23.2 in. (59 cm)	9.8 in. (25 cm)	40.9 in. (104 cm)	0.8 in. (2 cm)	18.1 in. (46 cm)	4.7 in. (12 cm)	44.9 in. (114 cm)	9.1 in. (23 cm)	23.6 in. (60 cm)	12.6 in. (32 cm)
94 in.	44.1 in. (112 cm)	6.7 in. (17 cm)	23.2 in. (59 cm)	10.2 in. (26 cm)	41.3 in. (105 cm)	0.8 in. (2 cm)	18.1 in. (46 cm)	4.7 in. (12 cm)	45.3 in. (115 cm)	9.1 in. (23 cm)	23.6 in. (60 cm)	13 in. (33 cm)
95 in.	44.5 in. (113 cm)	6.7 in. (17 cm)	23.2 in. (59 cm)	10.2 in. (26 cm)	42.1 in. (107 cm)	0.8 in. (2 cm)	18.1 in. (46 cm)	4.7 in. (12 cm)	45.7 in. (116 cm)	9.1 in. (23 cm)	23.6 in. (60 cm)	13 in. (33 cm)
96 in.	44.9 in. (114 cm)	6.7 in. (17 cm)	23.2 in. (59 cm)	10.2 in. (26 cm)	42.5 in. (108 cm)	0.8 in. (2 cm)	18.1 in. (46 cm)	4.7 in. (12 cm)	46.5 in. (118 cm)	9.1 in. (23 cm)	23.6 in. (60 cm)	13 in. (33 cm)

Screen size	16:10 WXGA				4:3 XGA				16:9 Widescreen			
	Minimum projection distance (A)*	Vertical angle adjustment (B)**	Distance from top of image to ceiling (C)	Distance from top of image to center of lens (D)	Minimum projection distance (A)*	Vertical angle adjustment (B)**	Distance from top of image to ceiling (C)	Distance from top of image to center of lens (D)	Minimum projection distance (A)*	Vertical angle adjustment (B)**	Distance from top of image to ceiling (C)	Distance from top of image to center of lens (D)
97 in.	45.7 in. (116 cm)	6.7 in. (17 cm)	23.6 in. (60 cm)	10.2 in. (26 cm)	42.9 in. (109 cm)	0.8 in. (2 cm)	18.1 in. (46 cm)	5.1 in. (13 cm)	46.9 in. (119 cm)	9.1 in. (23 cm)	23.6 in. (60 cm)	13.4 in. (34 cm)
98 in.	46.1 in. (117 cm)	6.7 in. (17 cm)	23.6 in. (60 cm)	10.6 in. (27 cm)	43.3 in. (110 cm)	0.8 in. (2 cm)	18.1 in. (46 cm)	5.1 in. (13 cm)	-	-	-	-
99 in.	46.5 in. (118 cm)	6.7 in. (17 cm)	23.6 in. (60 cm)	10.6 in. (27 cm)	43.7 in. (111 cm)	0.8 in. (2 cm)	18.1 in. (46 cm)	5.1 in. (13 cm)	-	-	-	-
100 in.	46.9 in. (119 cm)	6.7 in. (17 cm)	23.6 in. (60 cm)	10.6 in. (27 cm)	44.1 in. (112 cm)	0.8 in. (2 cm)	18.5 in. (47 cm)	5.1 in. (13 cm)	-	-	-	-
101 in.	-	-	-	-	44.9 in. (114 cm)	0.8 in. (2 cm)	18.5 in. (47 cm)	5.1 in. (13 cm)	-	-	-	-
102 in.	-	-	-	-	45.3 in. (115 cm)	0.8 in. (2 cm)	18.5 in. (47 cm)	5.1 in. (13 cm)	-	-	-	-
103 in.	-	-	-	-	45.7 in. (116 cm)	0.8 in. (2 cm)	18.5 in. (47 cm)	5.1 in. (13 cm)	-	-	-	-
104 in.	-	-	-	-	46.1 in. (117 cm)	0.8 in. (2 cm)	18.5 in. (47 cm)	5.1 in. (13 cm)	-	-	-	-
105 in.	-	-	-	-	46.5 in. (118 cm)	0.8 in. (2 cm)	18.5 in. (47 cm)	5.5 in. (14 cm)	-	-	-	-
106 in.	-	-	-	-	46.9 in. (119 cm)	0.8 in. (2 cm)	18.9 in. (48 cm)	5.5 in. (14 cm)	-	-	-	-

* Projection distance is measured from the projector lens to the projection surface.

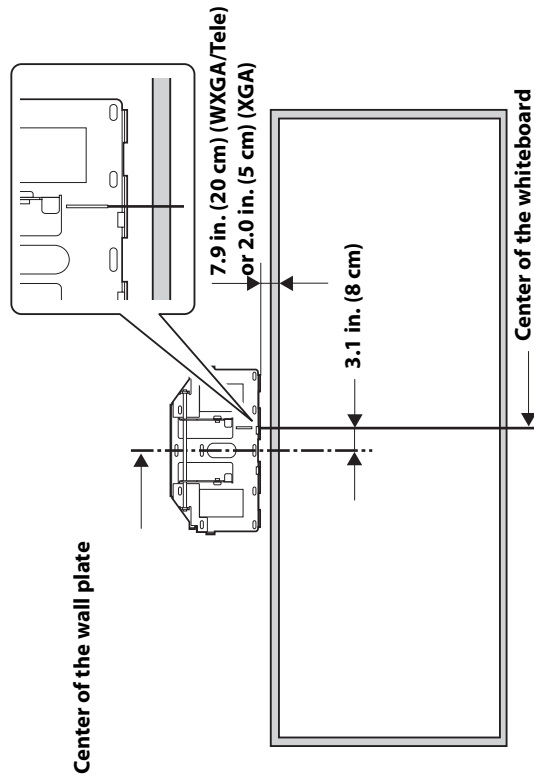
** Vertical adjustments are made with the vertical angle adjustment screw. (See item "E" in the image on page 12).

Installation Measurements for PowerLite 520/530 - Tele

Screen size range	Projection distance range (A)	Vertical adjustment range (B)	Distance from top of projected image to ceiling range (C)
16:10 WXGA* 44 - 74 in.	27.6 - 46.9 in. (70 - 119 cm)	0 - 7.1 in. (0 - 18 cm)	19.7 - 25.6 in. (50 - 65 cm)
4:3 XGA** 46 - 78 in.	27.2 - 46.5 in. (69 - 118 cm)	2 - 8.7 in. (5 - 22 cm)	17.7 - 23.6 in. (45 - 60 cm)
16:9 Widescreen* 43 - 72 in.	27.6 - 46.9 in. (70 - 119 cm)	2 - 9.1 in. (5 - 23 cm)	17.7 - 23.6 in. (45 - 60 cm)

* Allow at least 7.9 inches (20 cm) of space between the top of the whiteboard and the bottom of the wall plate.

** Allow at least 2 inches (5 cm) of space between the top of the whiteboard and the bottom of the wall plate.



If you have a pre-existing interactive whiteboard, refer to the table below to identify common models and sizes. If your board is listed here, use the dimensions to reference the installation requirements found on pages 13 through 20.

Interactive whiteboard sizes

Diagonal size specification	16:10 WXGA	4:3 XGA	16:9 Widescreen
57 inches	—	PolyVision TS410	—
60 inches	—	Hitachi® Cambridge board 60 RM ClassBoard2 60 INTERWRITE™ BOARD 1060 INTERWRITE Dual board 1260	—
63 inches	—	Hitachi StarBoard FX-63	—
64 inches	—	SMART™ Board® 660 Promethean ActivBoard 164	—
66 inches	—	TeamBoard RT TMWM5422CL/EM	—
71 inches	—	—	INTERWRITE BOARD 1071
75 inches	PolyVision® ENO® 2650	—	—
77 inches	—	Hitachi Cambridge Board 77 Hitachi StarBoard FX DUO 77 SMART Board 680 SMART BoardX880 INTERWRITE BOARD 1077 TeamBoard RT TMWM6250CL/EM	INTERWRITE Dual board 1277
77.5 inches	—	RM ClassBoard2 77.5	—
78 inches	PolyVision TS 600/ TS620 / TSL620	PolyVision TS610 Promethean ActivBoard 178 / 378	—
79 inches	—	INTERWRITE Dual Board 1279	—
80 inches	—	—	RM Classboard 85
82 inches	—	—	Hitachi StarBoard FX-82W
85 inches	TeamBoard RT TMWM7450EM	—	INTERWRITE BOARD 1085 INTERWRITE Dual Board 1285
87 inches	SMART Board 685 SMART BoardX 885 Promethean ActivBoard 387 Promethean ActivBoard 587 pro	—	—
88 inches	Hitachi StarBoard FX DUO-88W	—	—
89 inches	—	INTERWRITE Dual Board 1289	—
93 inches	—	—	PolyVision ENO 2810
94 inches	—	—	SMART Board 690
95 inches	—	—	INTERWRITE BOARD 1095 INTERWRITE Dual Board 1295 Promethean ActivBoard 395 Promethean ActivBoard 595 pro

5 Installing the Projector

Make sure to follow the steps below to install the wall mount. If you ignore these steps, the wall mount could fall and cause personal injury or property damage.

Warning

- ❑ **When you mount the projector on the wall with the wall mount, the wall requires enough strength to hold the projector, the wall mount, and the cables. This wall mount should be installed on a concrete wall. Confirm the weight of the projector, the wall mount, and the cables before installation, and maintain the strength of the wall. If the wall is not strong enough, reinforce the wall before installation.**
- ❑ **Install the wall mount so that it can sufficiently support the weight of the projector and wall mount, and resist any horizontal vibration. Use M8 nuts and bolts. Nuts and bolts smaller than M8 could cause the wall mount to fall.**
- ❑ **Epson accepts no responsibility for any damage or injury caused by lack of wall strength or inadequate installation.**

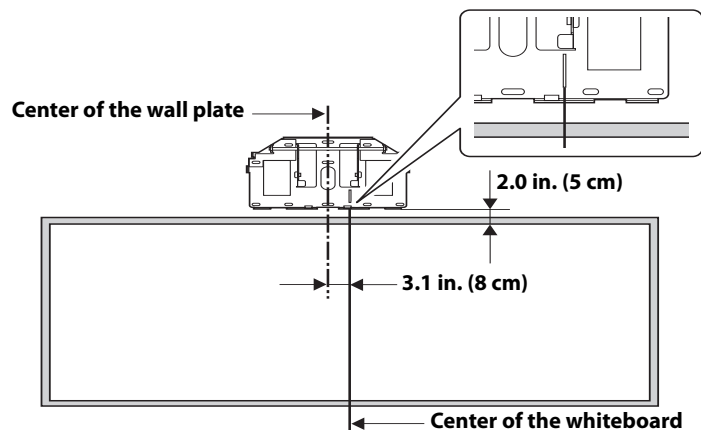


At the point where the wall mount is installed, make sure there is a gap of 16 to 26 inches (410 to 660 mm) from the top of the image projected onto the white board to the ceiling. See "Positioning the Projector" on page 12 for more details.

1. Install the wall plate

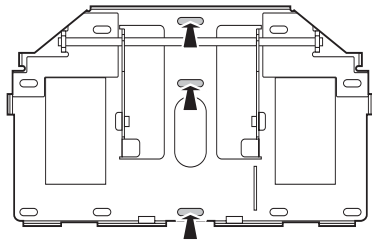
1. Determine where you want to install the wall plate, and then mark that position on the wall.
2. Align the marked line on the wall plate with the vertical center of the whiteboard, as shown in the illustration below. The line is 3.1 inches (8 cm) to the right of the vertical center of the wall plate. Allow at least a 2 inch (5 cm) gap (PowerLite 525W/535W and BrightLink 536Wi) or a 5.5 inch (14 cm) gap (PowerLite 520/530) between the top of the whiteboard and the bottom of the wall plate. However, if you are using the maximum (tele) screen size, refer to the tables on the previous pages.

After installing, you can slide the projector horizontally 1.8 inches (4.5 cm) by using the slider on the adjustment unit. See "Turn on the projector and check the image" on page 28 for more details.

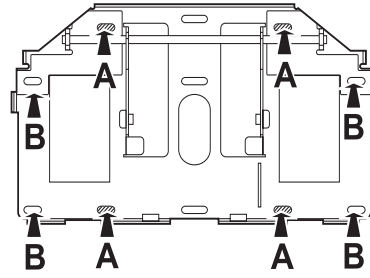


- Position the wall plate over the marks you made in step 1, and then mark the position of the wall plate's mounting holes as shown in the following illustration.

Use at least three mounting holes. If you are securing the wall plate in four places, drill the holes indicated by A or B in the illustration below.



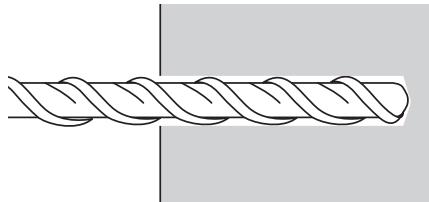
Three mounting holes



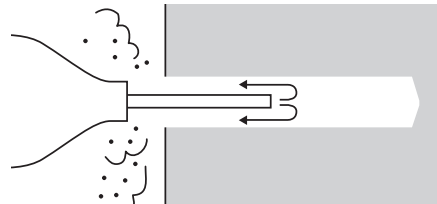
Four mounting holes

- Drill holes of the following diameters and depths at the points you marked.

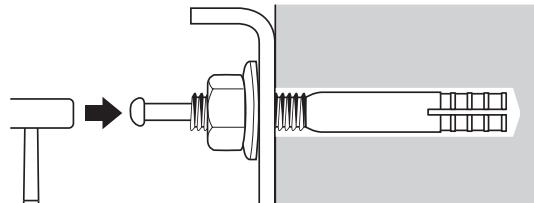
Drill diameter	0.3 in. (8.5 mm)
Pilot hole depth	1.6 in. (40 mm)
Anchor hole depth	1.4 in. (35 mm)



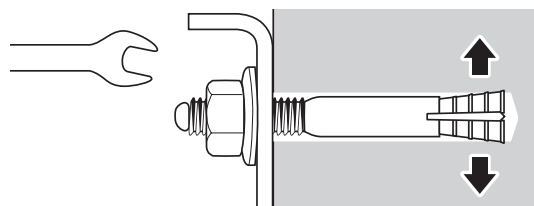
- Use a device such as a dust pump to clean out concrete dust from the hole.



- Position the wall plate on the wall and insert M8 × 60 mm expansion anchors into the holes. Attach the nut and tap it with a hammer until the core touches the top of the anchor.



- Tighten the nut with a wrench to secure the wall plate to the wall.

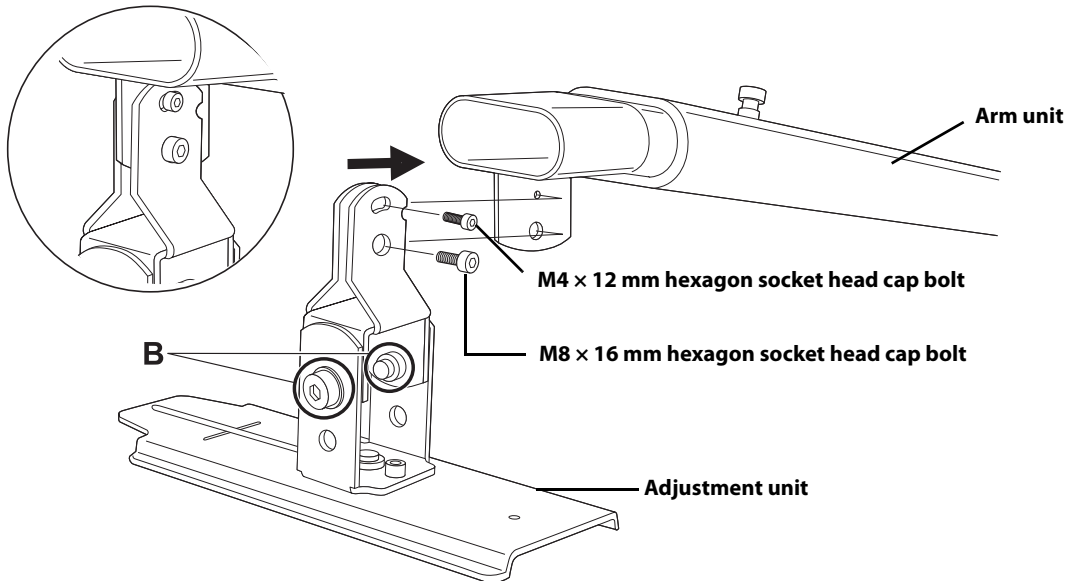


2. Assemble the wall mount

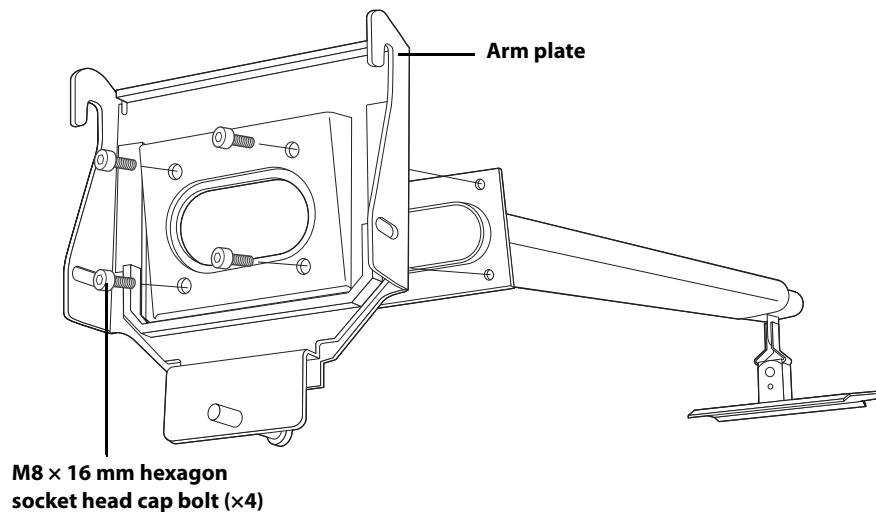
1. Attach the adjustment unit to the arm unit.
2. Partially tighten the M4 × 12 mm hexagon socket head cap bolt and M8 × 16 mm hexagon socket head cap bolt using the hexagonal wrenches (M4 and M8).



You need to change the position of the adjustment unit screws (B) if you are using the wall mount with a product other than the PowerLite 520/525W/530/535W or BrightLink 536Wi projectors.



3. Attach the arm plate using a hexagonal wrench (M8) and four M8 × 16 mm hexagon socket head cap bolts. Tighten the screws firmly.

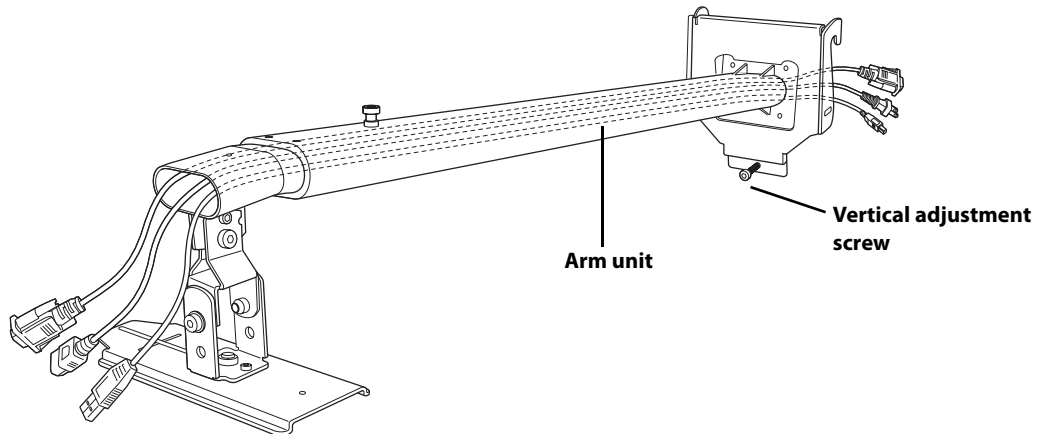


3. Route the cables through the arm unit

Route the projector's power cord and any additional cables connecting to the projector through the arm unit.



Be sure to also route the cables for any optional equipment (for example document camera, speakers, etc.) that may be used in the future. Otherwise, each time you need to connect another device, you will need to remove the projector from the mount to connect additional cables.



Caution

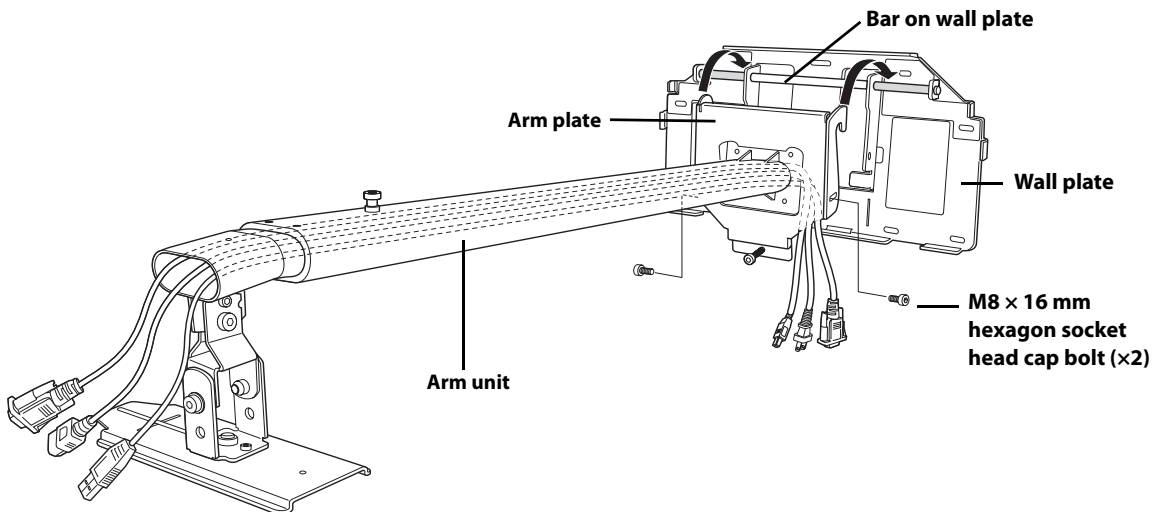
Problems may occur if you use this product without routing the cables through the arm unit.



Route the USB cable so that the type B connector emerges on the projector side. Epson recommends labeling any duplicate cables so that additional connections can be more easily identified.

4. Attach the wall mount to the wall plate

1. Attach the hook on the arm plate to the bar on the wall plate.
2. Partially tighten two M8 × 16 mm hexagon socket head cap bolts to secure the arm plate .

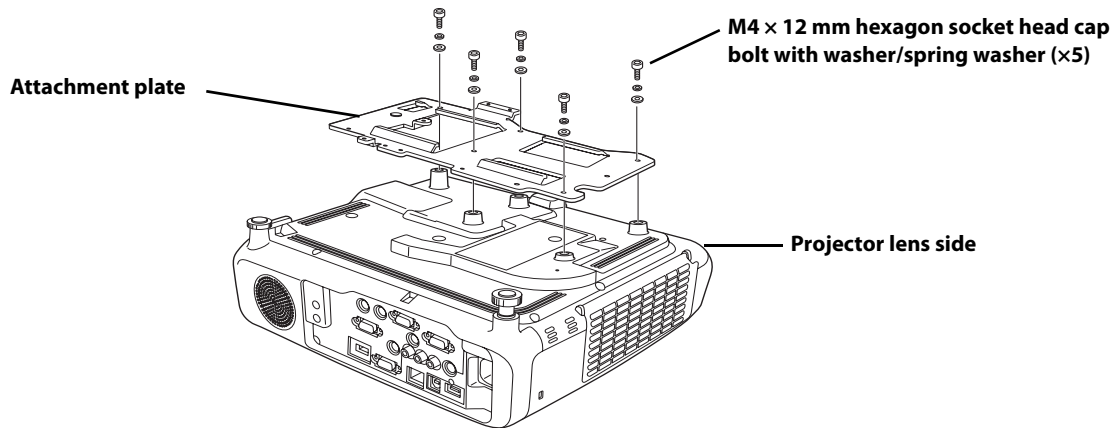


Caution

Take care not to trap the cables between the mount arm and wall plate.

5. Attach the attachment plate to the projector

1. Place the projector upside down.
2. Attach the attachment plate to the projector using the hexagonal wrench (M4) and five M4 × 12 mm bolts with washers/spring washers.



Warning

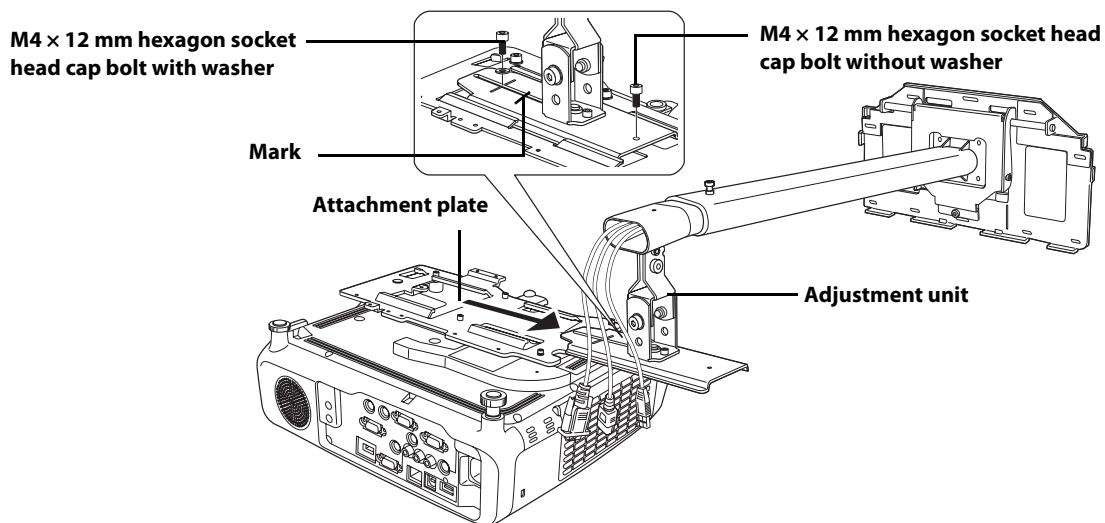
When installing or adjusting the wall mount, do not use adhesives to prevent the screws from loosening and do not use lubricants or oils on the projector slide plate. This may cause the case to crack and the projector to fall, resulting in personal injury or property damage.



Tighten the screws firmly.

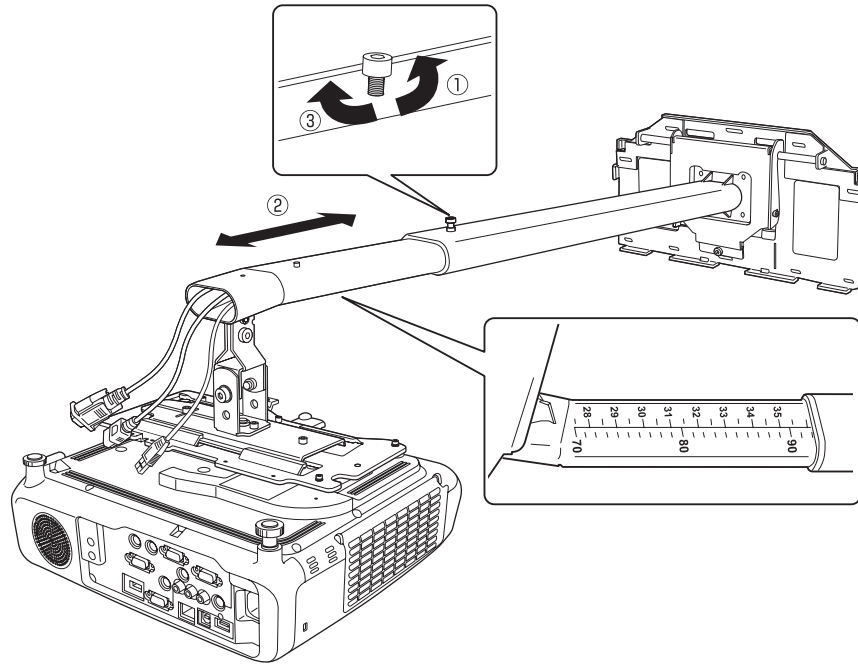
6. Attach the projector to the adjustment unit

1. Slide the attachment plate onto the adjustment unit as shown below.
2. Partially tighten two M4 × 12 mm bolts at the points marked on the adjustment unit as shown below.



7. Adjust the arm length

1. Loosen the screw on the arm (①).
2. Adjust the length of the arm using the measure on the bottom to match the projection distance recommended in "Positioning the Projector" on page 12 (②).
3. After adjusting the length, secure the arm position temporarily by tightening the screw on top (③).



8. Connect the power cord and other cables to the projector

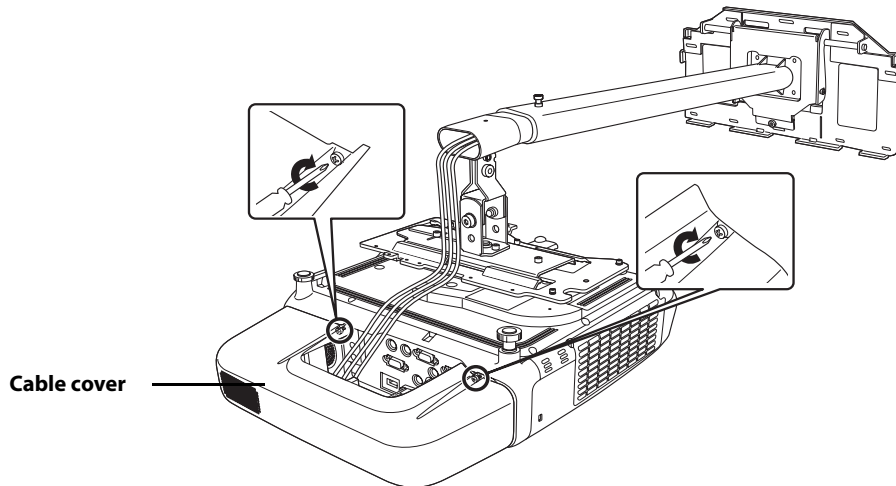
Connect any necessary cables such as the power cord, computer cable, HDMI cable, audio cables, and USB cable to the projector.

If you are planning to run the cables inside the wall, make sure you follow all local electrical codes. If you are running the cables outside the wall, use a cable management system to keep the cables from

obstructing the image. An optional cable management system is available from Epson (part # ELPC01).

9. Attach the cable cover to the projector

Take up the cable slack, and then attach the cable cover and use a cross-head screwdriver to tighten the screws (2) and secure the cable cover.



10. Turn on the projector and check the image

1. Plug in and turn on the projector.
2. Hold down the **A/V Mute** button on the remote control for five seconds to flip the image top-to-bottom.
3. Loosen the screws on the adjustment unit (A, B, C, and D) as shown below to adjust the image position.
4. Adjust the vertical angle of the arm using screw (E) on the bottom of the arm plate. The arm rises when you tighten the screw, and lowers when you loosen it.

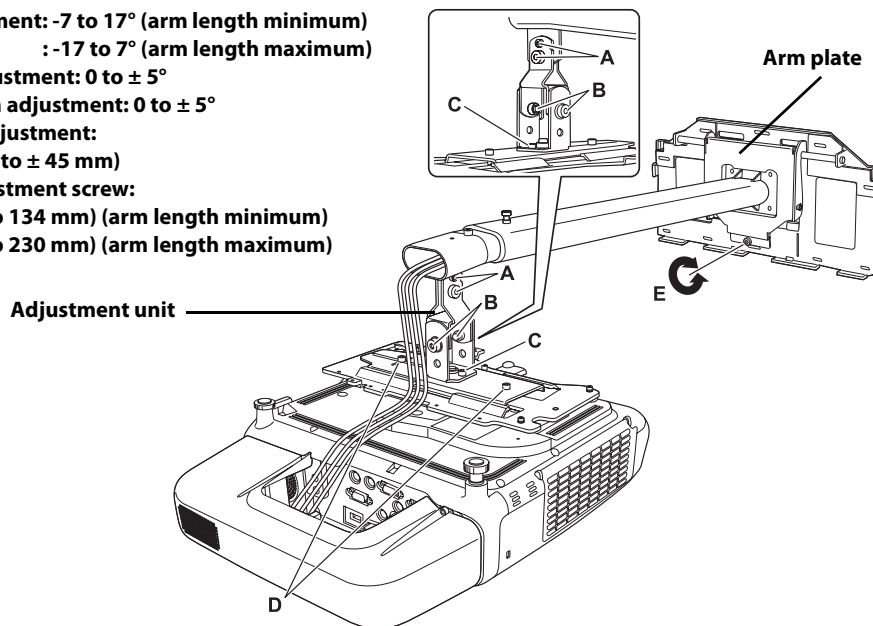
**A: Vertical tilt adjustment: -7 to 17° (arm length minimum)
: -17 to 7° (arm length maximum)**

B: Horizontal roll adjustment: 0 to ± 5°

C: Horizontal rotation adjustment: 0 to ± 5°

**D: Horizontal slide adjustment:
0 to ± 1.8 inches (0 to ± 45 mm)**

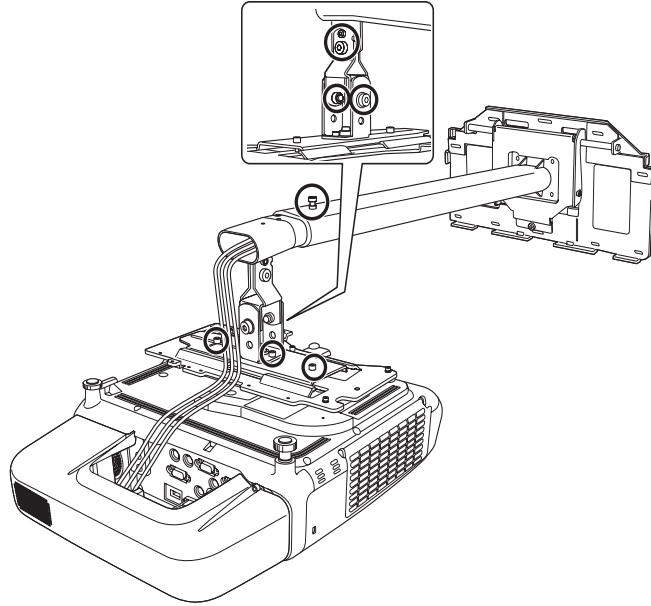
**E: Vertical angle adjustment screw:
0 to 5.3 inches (0 to 134 mm) (arm length minimum)
0 to 9.1 inches (0 to 230 mm) (arm length maximum)**



5. Firmly tighten the screws on the arm unit and adjustment unit using the hexagonal wrenches (M4 and M8).

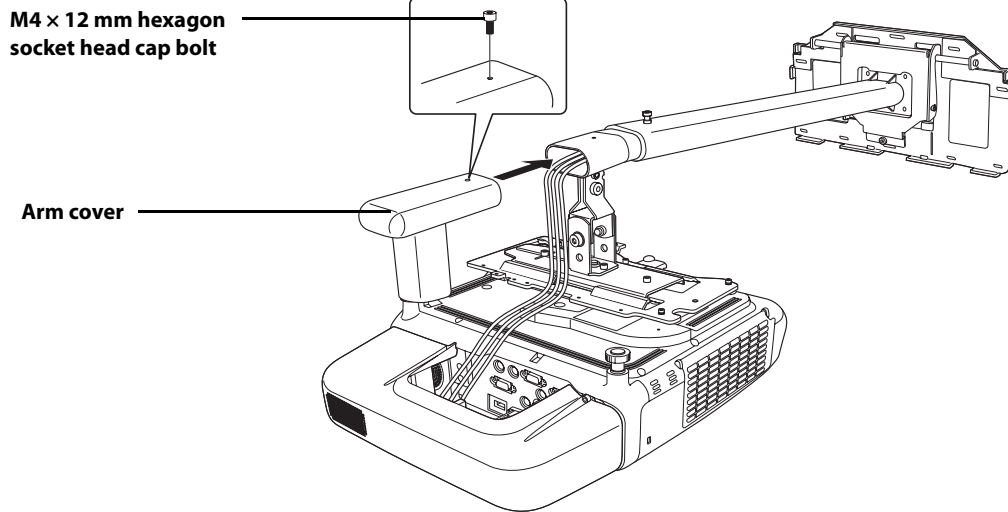
Warning

Tighten all screws firmly. Otherwise, the projector or wall mount may fall and cause personal injury or property damage.



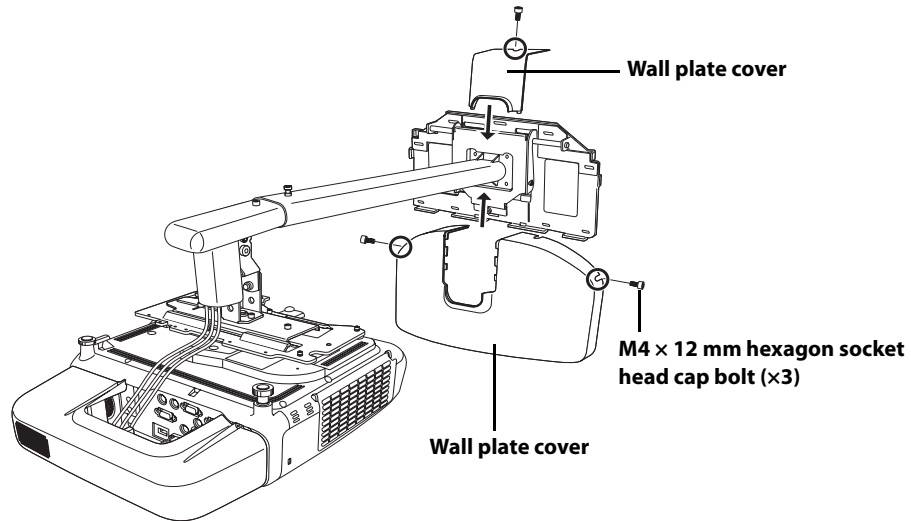
11. Attach the arm cover

Secure the arm cover with a hexagonal wrench (M4) and an M4 × 12 mm hexagon socket head cap bolt.



12. Attach the wall plate cover

Secure the wall plate cover with a hexagonal wrench (M4) and three M4 × 12 mm hexagon socket head cap bolts.



Depending on how the cables are wired, you may need to cut out parts of the wall plate cover to allow the cables to be passed through it.



When cutting the thin section of the wall plate cover and passing the cables through, make sure you smooth off any sharp edges to prevent damaging the cables.

Make sure you operate the cutter safely.



Caution

Only a specialist should remove or reinstall the projector for maintenance and repairs. Refer to the projector *User's Guide* for instructions on maintenance and repairs.



Warning

- Never loosen the bolts and nuts after installation. Regularly confirm that the screws have not become loose. If you find any loose screws, tighten them firmly. Otherwise, the projector or wall mount may fall and cause personal injury or property damage.
- Do not hang on the wall mount or hang a heavy object on the wall mount. If the projector or wall mount falls, it could cause personal injury or property damage.

Appendix

Using the Easy Interactive Function (BrightLink models only)

After you install a BrightLink model, you need to perform calibration to align the positions of the cursor and interactive pens.

In order to use the Easy Interactive Tools software, you must first install the software on the computer. OS X users also need to install a driver that enables the pens to work. Both software programs are included with the BrightLink projector or can be downloaded from the following sites:

U.S.: epson.com/support/brightlinkdownloads

Canada: epson.ca/support/brightlinkdownloads

For details on installing the software and calibrating the pens, see the online *User's Guide*.



After installation of the projector is complete, make sure you leave the remote control, batteries, and software CD(s) in the room with the projector. For BrightLink models, also leave the pen, batteries, and battery charger in the room with the projector. The accessories included with the projector vary by model and region.

À propos de ce guide d'installation

Le présent guide décrit comment installer les projecteurs à courte focale BrightLink® 536Wi et PowerLite® 520/525W/530/535W sur un mur à l'aide du support de montage au mur Epson®.

 Certains modèles pourraient ne pas être disponibles dans votre région.







Consignes de sécurité

Pour votre sécurité, veuillez lire toutes les consignes contenues dans ce guide avant d'utiliser le support de montage au mur. Une manipulation incorrecte ne respectant pas ces consignes pourrait endommager le support de montage au mur ou provoquer des blessures corporelles ou des dommages matériels. Conservez ce guide d'installation à portée de main pour pouvoir vous y référer ultérieurement.


Lisez les consignes de sécurité de votre projecteur dans le *Guide de l'utilisateur* en ligne et suivez les instructions figurant dans ce document.


Explication des symboles

Les symboles d'avertissement ci-dessous sont utilisés dans ce guide d'installation afin de prévenir les blessures corporelles ou les dommages matériels. Assurez-vous que vous comprenez bien la signification de ces avertissements lorsque vous lisez ce guide.

 Avertissement	Ce symbole signale des informations qui, si elles sont ignorées, peuvent provoquer des blessures corporelles, voire la mort, en raison d'une manipulation incorrecte.
 Mise en garde	Ce symbole indique des informations qui, si elles sont ignorées, peuvent provoquer des blessures corporelles ou des dommages matériels, en raison d'une manipulation incorrecte.
	Ce symbole indique des informations utiles ou reliées au sujet actuel.
	Ce symbole indique des conseils pratiques.
	Ce symbole indique une action à ne pas faire.
	Ce symbole indique une action à faire.

Consignes de sécurité pour l'installation

 **Avertissement**

Le support de montage au mur est conçu exclusivement pour fixer un projecteur et des accessoires optionnels à un mur. Le poids de tout équipement autre qu'un projecteur et des accessoires optionnels pourrait causer des dommages. 

La chute du support de montage au mur pourrait provoquer des blessures ou des dommages matériels.

Avertissement

<p>Les travaux d'installation (fixation murale) doivent être effectués par des spécialistes disposant des compétences techniques et du savoir-faire appropriés. Une installation incomplète ou incorrecte peut entraîner la chute du support de montage au mur ou du projecteur et provoquer des blessures corporelles ou des dommages matériels.</p>	
<p>Suivez les instructions du présent guide pour installer le support de montage au mur. En cas de non-respect des instructions, le support de montage au mur peut tomber et provoquer des blessures corporelles ou des dommages matériels.</p>	
<p>Mettez le projecteur hors tension lors de l'installation du support de montage pour éviter un risque d'incendie ou de choc électrique.</p>	
<p>Manipulez le câble d'alimentation avec précaution. Une manipulation incorrecte peut provoquer un incendie ou un choc électrique. Prenez les précautions suivantes en les manipulant :</p> <ul style="list-style-type: none">• Ne saisissez pas la fiche secteur avec des mains humides.• N'utilisez pas un câble d'alimentation qui est endommagé ou a été modifié.• Ne tirez pas exagérément sur le câble d'alimentation lorsque vous le faites passer à travers le support de montage au mur.	
<p>N'installez pas le support de montage au mur à un endroit où il peut être soumis à des vibrations ou des chocs. Des vibrations ou des chocs pourraient endommager le projecteur ou la surface de montage. Vous risqueriez également de provoquer la chute du support de montage au mur ou du projecteur et de causer des blessures corporelles ou des dommages matériels.</p>	
<p>Installez le support de montage au mur de sorte qu'il puisse supporter son poids ainsi que celui du projecteur et résister à toute vibration horizontale. Utilisez des écrous et des boulons M8. Si vous utilisez des écrous et des boulons de taille inférieure à M8, le support de montage au mur risque de tomber. Epson n'accepte aucune responsabilité pour tout dommage ou toute blessure causés par une solidité du mur insuffisante ou une installation inappropriée.</p>	
<p>L'installation devrait être exécutée par au moins deux techniciens qualifiés. Si vous devez desserrer des vis pendant l'installation, veillez à ne pas provoquer la chute du support de montage au mur. La chute du support de montage au mur ou du projecteur pourrait provoquer des blessures ou des dommages matériels.</p>	
<p>Lorsque vous installez le support de montage au mur, ne le tenez pas par le cache-câble pour le positionner. Le cache-câble pourrait se détacher et causer des blessures ou des dommages matériels.</p>	
<p>Le mur sur lequel vous installez le projecteur avec le support de montage doit être assez solide pour supporter le projecteur et le support de montage au mur. Ce support de montage au mur doit être installé sur un mur en béton. Confirmez le poids du projecteur et du support de montage avant l'installation, et vérifiez la solidité du mur. Si le mur n'est pas assez solide, renforcez-le avant l'installation.</p>	
<p>Si vous devez desserrer des vis pendant l'installation, veillez à ne pas provoquer la chute du support de montage au mur ou du projecteur. La chute du support de montage au mur ou du projecteur pourrait provoquer des blessures ou des dommages matériels.</p>	
<p>Inspectez régulièrement le support de montage au mur pour vérifier qu'aucune de ses pièces n'est endommagée ou que des vis ne sont pas desserrées. Si des pièces sont endommagées, cessez immédiatement d'utiliser le support de montage au mur. La chute du support de montage au mur ou du projecteur pourrait provoquer des blessures ou des dommages matériels.</p>	
<p>Ne modifiez jamais le support de montage au mur.</p>	
<p>Ne suspendez aucun objet au support de montage au mur et ne posez aucun objet lourd sur celui-ci. La chute du projecteur ou du support de montage au mur pourrait provoquer des blessures ou des dommages matériels.</p>	
<p>Cessez d'utiliser le support de montage et contactez Epson si les situations suivantes se produisent :</p> <ul style="list-style-type: none">• Le support de montage est échappé ou endommagé durant l'installation.• Le bras se détache du mur ou tombe.	

Avertissement

N'utilisez pas d'adhésifs, de lubrifiants ou d'huiles pour installer ou régler le support de montage au mur.

Si vous utilisez des adhésifs pour empêcher les vis de se desserrer ou si vous utilisez des lubrifiants ou des huiles sur la partie du projecteur attachée à la plaque coulissante, le boîtier risque de se détériorer, puis de provoquer la chute du projecteur et des blessures corporelles ou des dommages matériels.



Serrez fermement toutes les vis après tout réglage.

Si ces instructions ne sont pas respectées, le projecteur ou le support de montage au mur peuvent tomber et provoquer des blessures corporelles ou des dommages matériels.



Ne desserrez jamais les boulons et les écrous après l'installation.

Vérifiez régulièrement que les vis ne se sont pas desserrées. Si vous trouvez des vis desserrées, resserrez-les fermement. Si ces instructions ne sont pas respectées, le projecteur ou le support de montage au mur peuvent tomber et provoquer des blessures corporelles ou des dommages matériels.



Lorsque vous effectuez le câblage, assurez-vous que le câble n'entre pas en contact avec les vis ou les boulons.

Manipuler le câble incorrectement pourrait provoquer un incendie ou un choc électrique.



Mise en garde

N'installez pas le support de montage au mur dans un endroit qui excède la plage de température de fonctionnement du modèle de projecteur. Un tel environnement peut endommager le projecteur.



Installez le support de montage au mur dans un endroit à l'abri de la poussière et de l'humidité afin d'éviter que l'objectif et les éléments optiques internes ne se salissent.



Ne forcez pas de manière excessive lorsque vous réglez le support de montage au mur.

Le support de montage au mur pourrait être endommagé et provoquer des blessures corporelles.



Puisque le module interactif utilise la communication infrarouge, il pourrait interférer avec les communications infrarouges provenant d'autres produits. Si tel est le cas, déplacez les autres produits hors de la zone de détection.



Emplacement

- Déterminez l'emplacement où vous allez installer le support de montage au mur et préparez cet emplacement à l'avance. Assurez-vous aussi qu'il existe un espace de 16 à 26 po (410 à 660 mm) entre le haut de l'image projetée sur l'écran et le plafond. Consultez la section « Positionnement du projecteur » à la page 43 pour plus de détails.
- N'installez pas le projecteur à un endroit où il peut être soumis à des vibrations ou des chocs. Des vibrations ou des chocs pourraient endommager le projecteur ou la surface de montage. Ils pourraient aussi entraîner la chute du support de montage au mur, ce qui pourrait provoquer des blessures sérieuses ou la mort.
- Avant d'installer le projecteur, vérifiez le câblage d'alimentation électrique de l'endroit où vous souhaitez l'installer.
- Éloignez le projecteur des autres appareils électriques, notamment des éclairages fluorescents ou des climatiseurs. Certains types d'éclairages fluorescents risquent d'interférer avec la télécommande du projecteur.
- Assurez-vous que le projecteur n'est pas directement exposé à la lumière du soleil ou d'autres sources de lumière vive.
- Nous vous recommandons d'utiliser un câble d'ordinateur VGA d'une longueur inférieure à 66 pi (20 m) afin de réduire l'effet de parasites.

1 Contenu de l'emballage  **36**

2 Spécifications  **37**

3 Connexion des appareils  **39**


1. Connexion des ordinateurs
2. Connexion via un réseau
3. Connexion des caméras de documents
4. Utilisation d'un commutateur
5. Connexion de l'équipement vidéo
6. Connexion de l'audio

4 Positionnement du projecteur  **49**

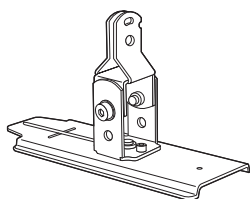
1. Mesures d'installation des modèles PowerLite 525W/535 W et BrightLink 536Wi - Grand écran
2. Mesures d'installation des modèles PowerLite 525W/535 W et BrightLink 536Wi - Télé
3. Mesures d'installation du modèle PowerLite 520/530 - Grand écran
4. Mesures d'installation du modèle PowerLite 520/530 - Télé

5 Installation du projecteur  **54**

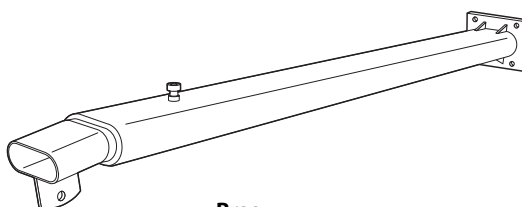
1. Installation de la plaque murale
2. Assemblage du support de montage au mur
3. Passage des câbles à travers le bras
4. Fixation du support de montage au mur à la plaque murale
5. Fixation de la plaque du projecteur au projecteur
6. Fixation du projecteur au dispositif de réglage
7. Ajustement de la longueur du bras
8. Branchez le câble d'alimentation et les autres câbles au projecteur.
9. Fixation du cache-câble au projecteur
10. Fixation du cache de protection du bras
11. Mise sous tension du projecteur et vérification de l'image
12. Fixation du cache de protection de la plaque murale

Annexe  **64**

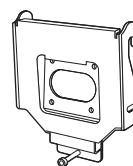
1 Contenu de l'emballage



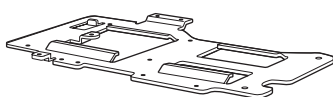
Dispositif de réglage



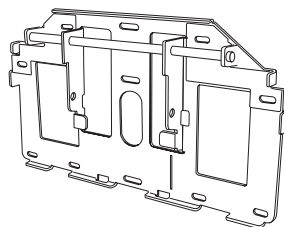
Bras



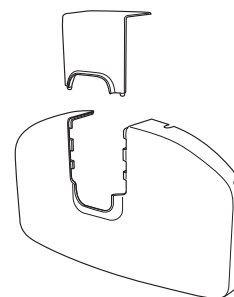
Plaque du bras



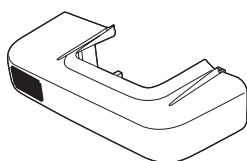
Plaque du projecteur



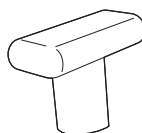
Plaque murale



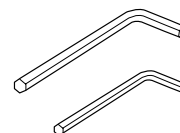
Cache de la plaque murale







Cache-câble



Cache du bras



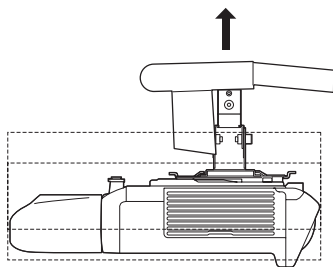
Clés à six pans

Forme	Nom	Quantité
	Boulon à tête cylindrique à six pans M4 x 12 mm avec rondelle	1
	Boulon à tête cylindrique à six pans M4 x 12 mm sans rondelle	6
	Boulon à tête cylindrique à six pans M4 x 12 mm avec rondelle/rondelle Grover	5
	Boulon à tête cylindrique à six pans M8 x 16 mm sans rondelle	7

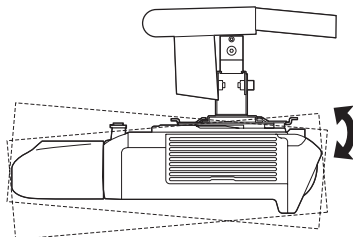
- Utilisez les boulons ou vis fournis avec le support de montage au mur pour installer ce dernier, comme décrit dans le présent guide. Ne leur substituez pas un autre type de boulons.
- Vous devez aussi utiliser des pattes de fixation M8 x 60 mm disponibles en magasin (au moins 3) pour fixer la plaque murale au mur.
- Rassemblez les outils et les éléments nécessaires avant de commencer l'installation.

2 Spécifications

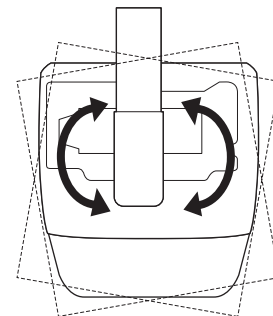
Pièce	Spécification
Poids	Environ 24 lb (11 kg)
Capacité de chargement maximale	12,1 lb (5,5 kg)
Longueur du bras	59,4 po (1510 mm) (du point de fixation de la plaque murale au cache du bras)
Plage de réglage de l'angle vertical	0 à 5,3 po (0 à 134 mm) (longueur du bras minimale) 0 à 9,1 po (0 à 230 mm) (longueur du bras maximale)
Plage de réglage de l'inclinaison verticale	-7 à 17° (longueur du bras minimale) -17 à 7° (longueur du bras maximale)
Plage de réglage de la rotation horizontale	0 à ± 5°
Plage de réglage du roulis horizontal	0 à ± 5°
Plage de réglage du coulissement horizontal	0 à ± 1,8 po (45 mm)



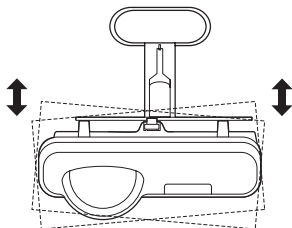
Réglage de l'angle vertical



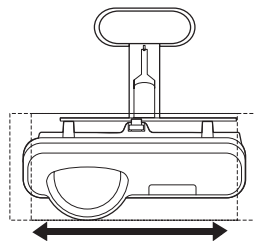
Réglage du roulis horizontal



Réglage de la rotation horizontale

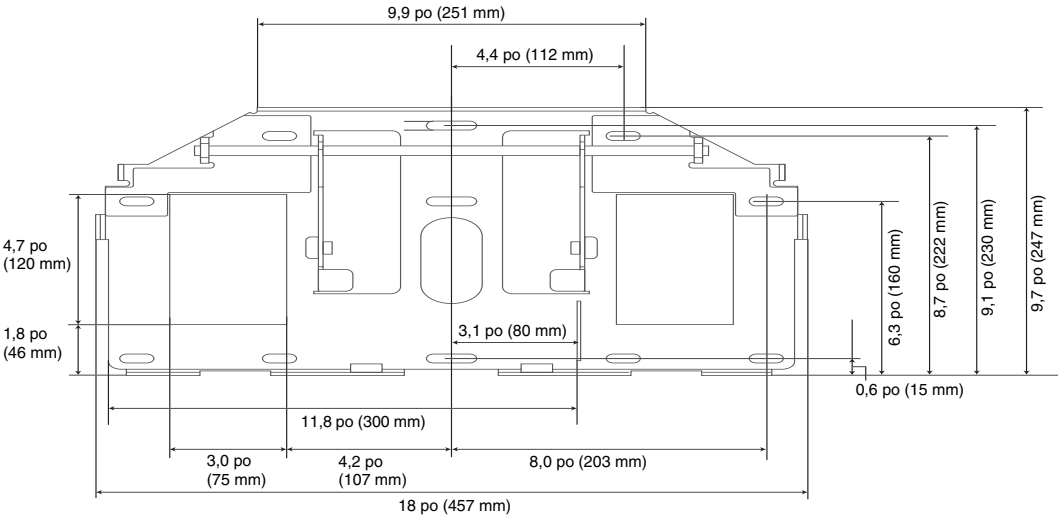


Réglage de l'inclinaison verticale



Réglage du coulissement horizontal

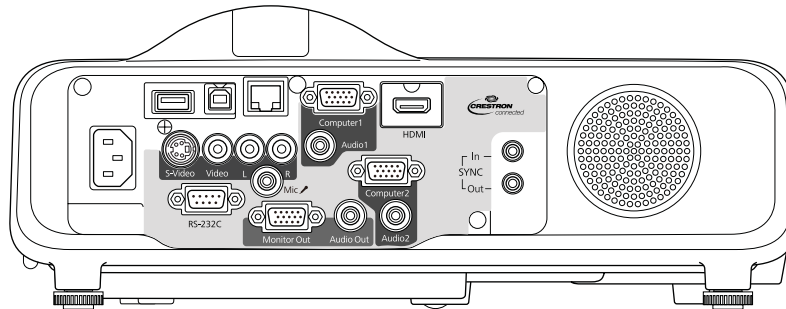
Plaque murale



3 Connexion des appareils

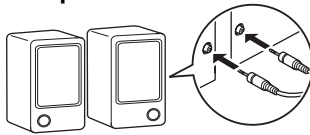
Assurez-vous que le câble d'alimentation, le câble d'ordinateur VGA ou HDMI et les autres pièces sont près de l'emplacement d'installation du support de montage au mur. Les modèles interactifs nécessitent également un câble USB.

Assurez-vous que vous possédez tous les câbles nécessaires pour tous les appareils que vous envisagez de connecter au projecteur, tels qu'une caméra de documents ou un microphone. Cela inclut les câbles pour tout appareil optionnel qui pourrait être branché ultérieurement. Pour plus de détails, consultez le *Guide de l'utilisateur* en ligne sur le site epson.com/support (États-Unis) ou epson.ca/support/ (Canada).



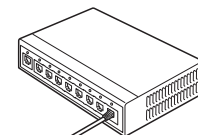
Exemple de connexion

Haut-parleurs externes

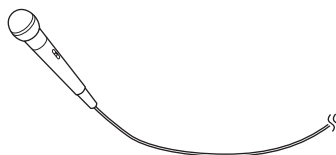


Câble audio
(non inclus)

Appareil réseau local

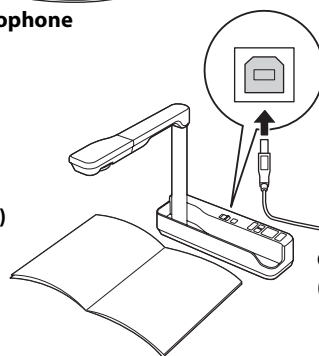


Câble réseau local
(non inclus)



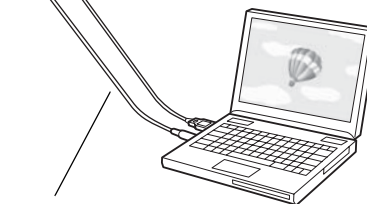
Microphone

Caméra de documents
(Epson DC-06)



Câble USB dédié
(fourni avec la caméra de documents)

Câble d'ordinateur VGA ou HDMI
(pour la sortie vidéo de l'ordinateur)



Ordinateur

Câble USB
(pour la sortie vidéo et audio de l'ordinateur
ou pour les fonctions interactives)

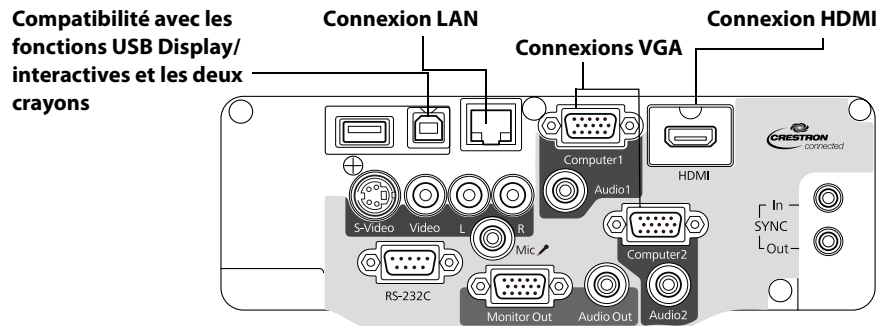
Pour une utilisation interactive

Pour une performance optimale, connectez votre ordinateur au projecteur à l'aide d'un câble VGA ou HDMI.

Connexion des ordinateurs

Vous pouvez utiliser n'importe lequel des ports suivants pour brancher les ordinateurs au projecteur :

- Computer1 ou Computer2 (connexion VGA)
- HDMI
- USB TypeB (USB Display, non recommandé : réduit la performance de l'interactivité des produits interactifs)
- LAN (RJ-45)



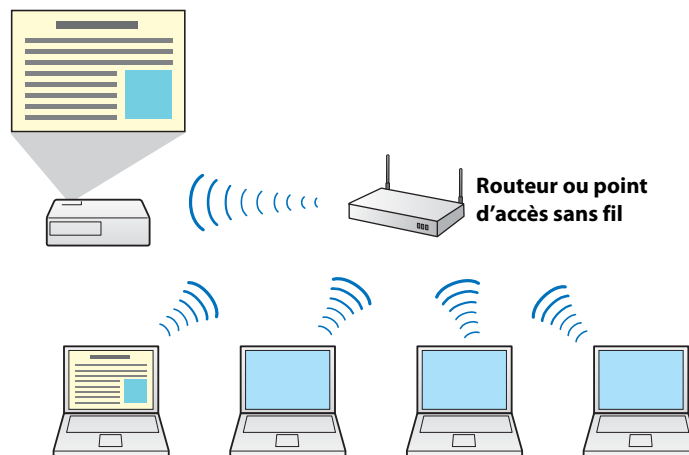
Si vous branchez des câbles VGA aux ports **Computer1** et **Computer2** en même temps, assurez-vous de bien étiqueter les câbles.

Pour la compatibilité avec le crayon interactif sur un ordinateur (grâce au logiciel Easy Interactive Tools ou tout autre logiciel d'annotation de tierce partie), vous devez aussi brancher un câble USB de l'ordinateur au projecteur.

Connexion via un réseau

Si le projecteur et l'ordinateur sont tous les deux connectés au même réseau par un câble Ethernet, les utilisateurs peuvent projeter des images via le réseau. Vous devez installer le logiciel EasyMP® Network Projection sur l'ordinateur. Ce logiciel est disponible sur le CD **Epson Projector Software** fourni avec le projecteur ou à l'adresse **epson.com/support** (États-Unis) ou **epson.ca/support** (Canada).

Si votre réseau comprend un routeur sans fil, les utilisateurs peuvent se connecter sans fil au projecteur via le réseau depuis leur ordinateur (à l'aide du logiciel EasyMP Network Projection). Les utilisateurs peuvent aussi se connecter sans fil depuis un iPad, iPhone ou iPod touch à l'aide de l'application optionnelle Epson iProjection^{MC}. Lorsque le projecteur est connecté à ces appareils, seule la barre d'outils intégrée est disponible (compatibilité avec un seul crayon).



Connexion sans fil au réseau et interactivité grâce à la barre d'outils intégrée

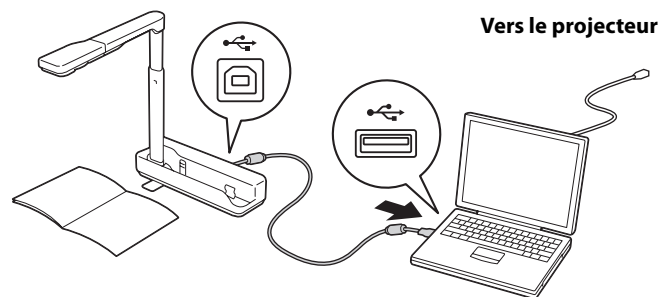
Si le projecteur n'est pas connecté à un réseau via un câble LAN (ou si le réseau n'inclut pas de routeur sans fil), vous pouvez acheter le module LAN sans fil optionnel pour le projecteur. Vous pourrez ainsi projeter sans fil directement d'un ordinateur.

Vous pouvez acheter le module LAN sans fil optionnel (numéro de pièce V12H418P12) auprès d'un revendeur autorisé de produits Epson. Pour trouver le revendeur le plus proche, composez le 1 800 463-7766. Ou vous pouvez effectuer des achats en ligne au **epsonstore.com** (États-Unis) ou **epson.ca** (Canada) (site Web présenté en anglais seulement).

Connexion des caméras de documents

Les caméras de documents possèdent différents types de ports pour une connexion au projecteur.

La meilleure façon de brancher les caméras dotées de ports USB, telles que les modèles Epson DC-11 et Epson DC-06, est de les brancher directement au port USB de l'ordinateur, tel qu'illustré ci-dessous. De cette façon, vous pourrez utiliser toutes les fonctions interactives ainsi que le mode deux crayons (à l'aide du logiciel Easy Interactive Tools) sur l'image de la caméra de documents.



Bien que vous puissiez brancher le modèle Epson DC-06 directement au port **TypeA** du projecteur à l'aide d'un câble USB, l'interactivité sera limitée (vous n'aurez accès qu'à la barre d'outils intégrée).

Pour les caméras de documents qui n'ont pas de port USB, vous pouvez les brancher aux ports VGA ou HDMI du projecteur. Sur les modèles interactifs, vous pourrez alors utiliser la barre d'outils interactive intégrée du projecteur sur l'image de la caméra de documents.

Si la caméra de documents comprend des prises USB et VGA/HDMI, vous pouvez brancher un câble USB entre la caméra et l'ordinateur, et un câble VGA/HDMI directement du projecteur au port vidéo de l'ordinateur. Vous obtiendrez ainsi deux façons d'établir la connexion : la connexion USB peut être utilisée lorsque l'ordinateur est allumé, et la connexion VGA/HDMI peut être utilisée lorsque le professeur ou un autre utilisateur souhaite utiliser la caméra de documents sans avoir à allumer l'ordinateur.



Sur les modèles Epson DC-11/DC-12/DC-20, le port d'affichage vidéo est désactivé si vous branchez un câble USB entre la caméra et l'ordinateur.

Utilisation d'un commutateur

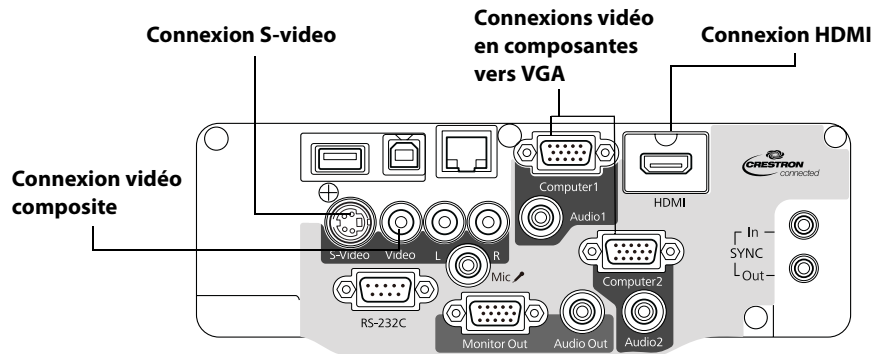
Vous pouvez utiliser un commutateur ou une boîte de contrôle pour connecter différentes sources vidéo au projecteur. Cependant, l'ordinateur principal devrait toujours être branché directement au projecteur à l'aide d'un câble USB pour permettre l'interactivité, et avec un autre câble pour la sortie vidéo (VGA, HDMI ou Ethernet). De cette façon, vous obtiendrez une compatibilité maximale avec les fonctions interactives et le mode deux crayons (à l'aide du logiciel Easy Interactive Tools) pour l'ordinateur. La barre d'outils intégrée du projecteur sera disponible pour les images provenant de l'équipement connecté via le commutateur.

Connexion de l'équipement vidéo

Vous pouvez connecter différents appareils vidéo tels que des lecteurs DVD, des terminaux numériques/satellites, des magnétoscopes ou des consoles de jeux vidéo.

Selon les prises se trouvant sur l'équipement, vous pouvez utiliser tous les ports du projecteur dans la liste suivante. Les ports du projecteur sont indiqués en ordre décroissant selon leur qualité: si votre équipement comprend plusieurs prises, choisissez celle qui offre la meilleure qualité d'image.

- HDMI
- Computer1 ou Computer2 (avec un câble ou un adaptateur vidéo en composantes vers VGA)
- S-Video
- Video (vidéo composite)

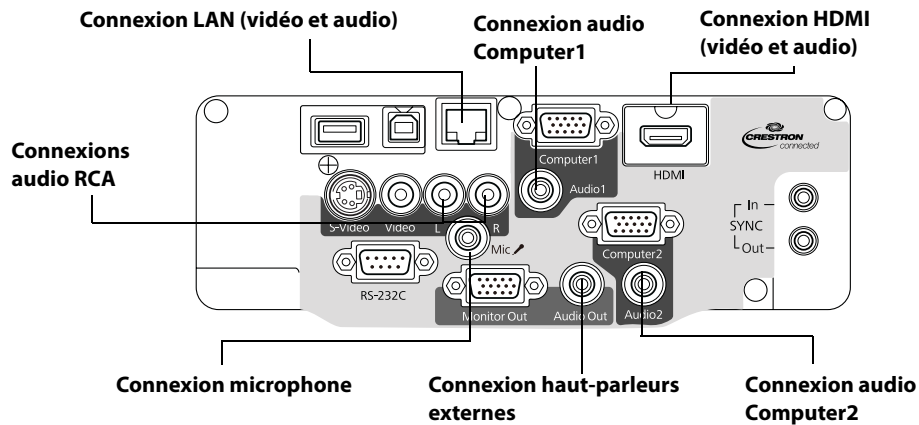


Connexion de l'audio

Une variété de connexions audio sont disponibles :

- Vous pouvez brancher un microphone dynamique au port **Mic** et transmettre le signal sonore via le projecteur.
- Vous pouvez aussi transmettre le signal sonore de l'ordinateur. Si vous avez connecté l'ordinateur à l'aide d'un câble VGA, vous devrez aussi connecter un câble audio optionnel à mini-prise stéréo de 3,5 mm pour le son. Si vous utilisez plus d'une connexion audio, étiquetez les câbles **Audio1** ou **Audio2**.
- Si vous avez connecté l'ordinateur à l'aide d'un câble HDMI, USB Display ou Ethernet, vous pouvez transmettre les signaux sonores et visuels via le câble.
- Pour améliorer le son de votre présentation, vous pouvez brancher le projecteur dans des haut-parleurs externes auto-alimentés ou avec amplificateur. Le volume peut être contrôlé à l'aide de la télécommande du projecteur.

Si vous souhaitez envoyer le son aux haut-parleurs externes (ou si vous voulez utiliser le microphone) lorsque le projecteur est éteint, vous devez ajuster le paramètre **Config. attente** dans le menu Avancé du projecteur. Dans le mode attente, vous ne pouvez transmettre que le signal audio ou le signal audio composite (connecteurs rouges et blancs RCA) provenant des ports **Computer1** ou **Computer2**.



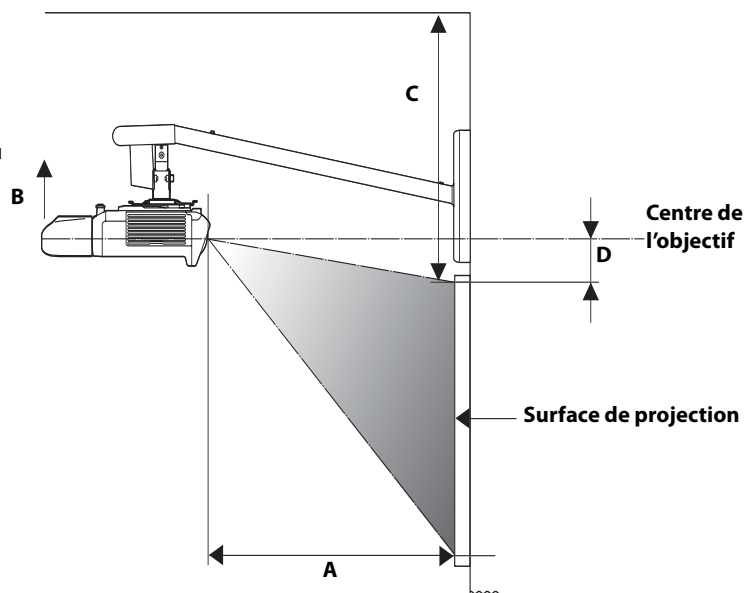
4 Positionnement du projecteur

BrightLink 536Wi et PowerLite 525W/535W peuvent projeter jusqu'à 113 po (2,9 m) (diagonale) en format image WXGA ou 100 po (2,5 m) (diagonale) en format image XGA. PowerLite 520/530 peut projeter jusqu'à 106 po (2,7 m) (diagonale) en format image XGA. Vous pouvez projeter sur un tableau blanc préinstallé ou directement sur un mur ordinaire. C'est la hauteur du support de montage au mur qui détermine la hauteur à laquelle l'image est projetée sur le mur ou le tableau blanc. La distance entre le projecteur et le mur (une fois qu'il est monté sur le bras réglable de la plaque de fixation) influe aussi sur la taille et la position de l'image.

Si vous planifiez de projeter sur un tableau blanc, il est possible que l'image n'occupe pas tout le tableau; tout dépend du rapport hauteur/largeur. Si vous faites correspondre la hauteur de l'image à la hauteur du tableau, il est possible que des espaces apparaissent sur les côtés du tableau.

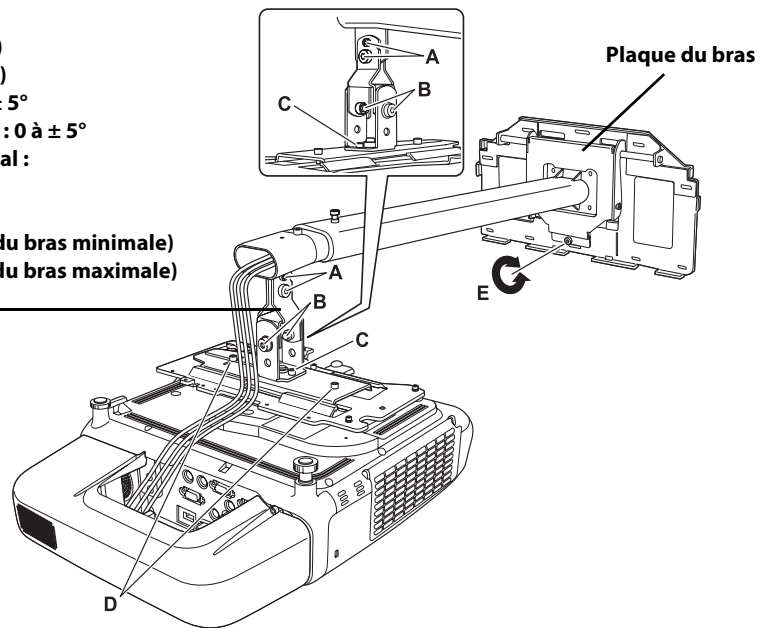
Reportez-vous aux tableaux des pages suivantes pour installer le support de montage et le projecteur de façon à projeter les images avec la taille appropriée. Ces valeurs sont données à titre indicatif. La distance de projection recommandée est de 27,6 à 46,9 po (70 à 119 cm).

- A : Distance minimale de projection**
- B : Réglage de l'angle vertical**
- C : Distance du haut de l'image jusqu'au plafond**
- D : Distance du haut de l'image jusqu'au centre de l'objectif**



- A : Réglage de l'inclinaison verticale**
 : -7 à 17° (longueur du bras minimale)
 : -17 à 7° (longueur du bras maximale)
- B : Réglage du roulis horizontal : 0 à ± 5°**
- C : Réglage de la rotation horizontale : 0 à ± 5°**
- D : Réglage du coulissement horizontal :**
 0 à ± 1,8 po (0 à ± 45 mm)
- E : Vis de réglage de l'angle vertical :**
 0 à 5,3 po (0 à 134 mm) (longueur du bras minimale)
 0 à 9,1 po (0 à 230 mm) (longueur du bras maximale)

Dispositif de réglage



Les valeurs des tableaux de mesures sont basées sur un tableau blanc de 2,4 po (6 cm) d'épaisseur. Assurez-vous que votre tableau blanc ne mesure pas plus de 2,4 po (6 cm) d'épaisseur.

Mesures d'installation des modèles PowerLite 525W/535W et BrightLink 536Wi - Grand écran

Taille de l'écran	16:10 WXGA				4:3 XGA				Grand écran 16:9			
	Distance de projection minimale (A)*	Réglage de l'angle vertical (B)**	Distance entre le haut de l'image et le plafond (C)	Distance entre le haut de l'image et le centre de l'objectif (D)	Distance de projection minimale (A)*	Réglage de l'angle vertical (B)**	Distance entre le haut de l'image et le plafond (C)	Distance entre le haut de l'image et le centre de l'objectif (D)	Distance de projection minimale (A)*	Réglage de l'angle vertical (B)**	Distance entre le haut de l'image et le plafond (C)	Distance entre le haut de l'image et le centre de l'objectif (D)
60 po	-	-	-	-	27,6 po (70 cm)	1,6 po (4 cm)	16,9 po (43 cm)	4,3 po (11 cm)	-	-	-	-
61 po	-	-	-	-	28 po (71 cm)	2 po (5 cm)	17,3 po (44 cm)	4,3 po (11 cm)	-	-	-	-
62 po	-	-	-	-	28,3 po (72 cm)	2 po (5 cm)	17,3 po (44 cm)	4,3 po (11 cm)	-	-	-	-
63 po	-	-	-	-	29,1 po (74 cm)	2 po (5 cm)	17,3 po (44 cm)	4,3 po (11 cm)	-	-	-	-
64 po	-	-	-	-	29,5 po (75 cm)	2 po (5 cm)	17,3 po (44 cm)	4,3 po (11 cm)	-	-	-	-
65 po	-	-	-	-	29,9 po (76 cm)	2 po (5 cm)	17,3 po (44 cm)	4,7 po (12 cm)	-	-	-	-
66 po	-	-	-	-	30,3 po (77 cm)	2 po (5 cm)	17,7 po (45 cm)	4,7 po (12 cm)	27,6 po (70 cm)	3,5 po (9 cm)	18,9 po (48 cm)	5,9 po (15 cm)
67 po	-	-	-	-	31,1 po (79 cm)	2 po (5 cm)	17,7 po (45 cm)	4,7 po (12 cm)	28 po (71 cm)	3,9 po (10 cm)	19,2 po (49 cm)	6,3 po (16 cm)
68 po	27,6 po (70 cm)	1,6 po (4 cm)	16,9 po (43 cm)	4,3 po (11 cm)	31,5 po (80 cm)	2 po (5 cm)	17,7 po (45 cm)	4,7 po (12 cm)	28,3 po (72 cm)	3,9 po (10 cm)	19,3 po (49 cm)	6,3 po (16 cm)
69 po	27,9 po (71 cm)	2 po (5 cm)	17,3 po (44 cm)	4,3 po (11 cm)	31,9 po (81 cm)	2 po (5 cm)	17,7 po (45 cm)	4,7 po (12 cm)	28,7 po (73 cm)	3,9 po (10 cm)	19,3 po (49 cm)	6,3 po (16 cm)
70 po	28,4 po (72 cm)	2 po (5 cm)	17,3 po (44 cm)	4,3 po (11 cm)	32,3 po (82 cm)	2 po (5 cm)	17,7 po (45 cm)	5,1 po (13 cm)	29,1 po (74 cm)	3,9 po (10 cm)	19,3 po (49 cm)	6,3 po (16 cm)
71 po	29 po (73 cm)	2 po (5 cm)	17,3 po (44 cm)	4,3 po (11 cm)	32,7 po (83 cm)	2 po (5 cm)	18,1 po (46 cm)	5,1 po (13 cm)	29,5 po (75 cm)	3,9 po (10 cm)	19,7 po (50 cm)	6,3 po (16 cm)
72 po	29,1 po (74 cm)	2 po (5 cm)	17,3 po (44 cm)	4,3 po (11 cm)	33,5 po (85 cm)	2 po (5 cm)	18,1 po (46 cm)	5,1 po (13 cm)	30,3 po (77 cm)	3,9 po (10 cm)	19,7 po (50 cm)	6,7 po (17 cm)
73 po	29,5 po (75 cm)	2 po (5 cm)	17,3 po (44 cm)	4,7 po (12 cm)	33,9 po (86 cm)	2 po (5 cm)	18,1 po (46 cm)	5,1 po (13 cm)	30,7 po (78 cm)	3,9 po (10 cm)	19,7 po (50 cm)	6,7 po (17 cm)
74 po	30,3 po (77 cm)	2 po (5 cm)	17,7 po (45 cm)	4,7 po (12 cm)	34,3 po (87 cm)	2,4 po (6 cm)	18,1 po (46 cm)	5,1 po (13 cm)	31,1 po (79 cm)	3,9 po (10 cm)	19,7 po (50 cm)	6,7 po (17 cm)
75 po	30,7 po (78 cm)	2 po (5 cm)	17,7 po (45 cm)	4,7 po (12 cm)	34,7 po (88 cm)	2,4 po (6 cm)	18,1 po (46 cm)	5,1 po (13 cm)	31,5 po (80 cm)	3,9 po (10 cm)	19,7 po (50 cm)	6,7 po (17 cm)
76 po	31,1 po (79 cm)	2 po (5 cm)	17,7 po (45 cm)	4,7 po (12 cm)	35,4 po (90 cm)	2,4 po (6 cm)	18,5 po (47 cm)	5,5 po (14 cm)	31,9 po (81 cm)	4,3 po (11 cm)	20,1 po (51 cm)	7,1 po (18 cm)
77 po	31,5 po (80 cm)	2 po (5 cm)	17,7 po (45 cm)	4,7 po (12 cm)	35,8 po (91 cm)	2,4 po (6 cm)	18,5 po (47 cm)	5,5 po (14 cm)	32,3 po (82 cm)	4,3 po (11 cm)	20,1 po (51 cm)	7,1 po (18 cm)
78 po	31,9 po (81 cm)	2 po (5 cm)	17,7 po (45 cm)	4,7 po (12 cm)	36,2 po (92 cm)	2,4 po (6 cm)	18,5 po (47 cm)	5,5 po (14 cm)	32,7 po (83 cm)	4,3 po (11 cm)	20,1 po (51 cm)	7,1 po (18 cm)

Taille de l'écran	16:10 WXGA				4:3 XGA				Grand écran 16:9			
	Distance de projection minimale (A)*	Réglage de l'angle vertical (B)**	Distance entre le haut de l'image et le plafond (C)	Distance entre le haut de l'image et le centre de l'objectif (D)	Distance de projection minimale (A)*	Réglage de l'angle vertical (B)**	Distance entre le haut de l'image et le plafond (C)	Distance entre le haut de l'image et le centre de l'objectif (D)	Distance de projection minimale (A)*	Réglage de l'angle vertical (B)**	Distance entre le haut de l'image et le plafond (C)	Distance entre le haut de l'image et le centre de l'objectif (D)
79 po	32,3 po (82 cm)	2 po (5 cm)	17,7 po (45 cm)	4,7 po (12 cm)	36,6 po (93 cm)	2,4 po (6 cm)	18,5 po (47 cm)	5,5 po (14 cm)	33,1 po (84 cm)	4,3 po (11 cm)	20,1 po (51 cm)	7,1 po (18 cm)
80 po	32,7 po (83 cm)	2 po (5 cm)	18,1 po (46 cm)	5,1 po (13 cm)	37 po (94 cm)	2,4 po (6 cm)	18,5 po (47 cm)	5,5 po (14 cm)	33,5 po (85 cm)	4,3 po (11 cm)	20,5 po (52 cm)	7,5 po (19 cm)
81 po	33 po (84 cm)	2 po (5 cm)	18,1 po (46 cm)	5,1 po (13 cm)	37,8 po (96 cm)	2,4 po (6 cm)	18,5 po (47 cm)	5,9 po (15 cm)	34,3 po (87 cm)	4,3 po (11 cm)	20,5 po (52 cm)	7,5 po (19 cm)
82 po	33,5 po (85 cm)	2,4 po (6 cm)	18,1 po (46 cm)	5,1 po (13 cm)	38,2 po (97 cm)	2,4 po (6 cm)	18,5 po (47 cm)	5,9 po (15 cm)	34,7 po (88 cm)	4,3 po (11 cm)	20,5 po (52 cm)	7,5 po (19 cm)
83 po	33,9 po (86 cm)	2,4 po (6 cm)	18,1 po (46 cm)	5,1 po (13 cm)	38,6 po (98 cm)	2,4 po (6 cm)	18,5 po (47 cm)	5,9 po (15 cm)	35 po (89 cm)	4,3 po (11 cm)	20,5 po (52 cm)	7,5 po (19 cm)
84 po	34,3 po (87 cm)	2,4 po (6 cm)	18,1 po (46 cm)	5,1 po (13 cm)	39 po (99 cm)	2,4 po (6 cm)	18,5 po (47 cm)	5,9 po (15 cm)	35,4 po (90 cm)	4,3 po (11 cm)	20,9 po (53 cm)	7,5 po (19 cm)
85 po	34,7 po (88 cm)	2,4 po (6 cm)	18,1 po (46 cm)	5,1 po (13 cm)	39,8 po (101 cm)	2,4 po (6 cm)	18,9 po (48 cm)	5,9 po (15 cm)	35,8 po (91 cm)	4,7 po (12 cm)	20,9 po (53 cm)	7,9 po (20 cm)
86 po	35,4 po (90 cm)	2,4 po (6 cm)	18,5 po (47 cm)	5,5 po (14 cm)	40,2 po (102 cm)	2,4 po (6 cm)	19,3 po (49 cm)	5,9 po (15 cm)	36,2 po (92 cm)	4,7 po (12 cm)	20,9 po (53 cm)	7,9 po (20 cm)
87 po	35,8 po (91 cm)	2,4 po (6 cm)	18,5 po (47 cm)	5,5 po (14 cm)	40,6 po (103 cm)	2,4 po (6 cm)	19,3 po (49 cm)	6,3 po (16 cm)	36,6 po (93 cm)	4,7 po (12 cm)	20,9 po (53 cm)	7,9 po (20 cm)
88 po	36,2 po (92 cm)	2,4 po (6 cm)	18,5 po (47 cm)	5,5 po (14 cm)	40,9 po (104 cm)	2,8 po (7 cm)	19,3 po (49 cm)	6,3 po (16 cm)	37 po (94 cm)	4,7 po (12 cm)	20,9 po (53 cm)	7,9 po (20 cm)
89 po	36,6 po (93 cm)	2,4 po (6 cm)	18,5 po (47 cm)	5,5 po (14 cm)	41,3 po (105 cm)	2,8 po (7 cm)	19,3 po (49 cm)	6,3 po (16 cm)	37,4 po (95 cm)	4,7 po (12 cm)	21,3 po (54 cm)	8,3 po (21 cm)
90 po	37 po (94 cm)	2,4 po (6 cm)	18,5 po (47 cm)	5,5 po (14 cm)	42,1 po (107 cm)	2,8 po (7 cm)	19,3 po (49 cm)	6,3 po (16 cm)	38,2 po (97 cm)	4,7 po (12 cm)	21,3 po (54 cm)	8,3 po (21 cm)
91 po	37,4 po (95 cm)	2,4 po (6 cm)	18,9 po (48 cm)	5,5 po (14 cm)	42,5 po (108 cm)	2,8 po (7 cm)	19,7 po (50 cm)	6,3 po (16 cm)	38,6 po (98 cm)	4,7 po (12 cm)	21,3 po (54 cm)	8,3 po (21 cm)
92 po	37,8 po (96 cm)	2,4 po (6 cm)	18,9 po (48 cm)	5,9 po (15 cm)	42,9 po (109 cm)	2,8 po (7 cm)	19,7 po (50 cm)	6,3 po (16 cm)	39 po (99 cm)	4,7 po (12 cm)	21,3 po (54 cm)	8,3 po (21 cm)
93 po	38,2 po (97 cm)	2,4 po (6 cm)	18,9 po (48 cm)	5,9 po (15 cm)	43,3 po (110 cm)	2,8 po (7 cm)	19,7 po (50 cm)	6,7 po (17 cm)	39,4 po (100 cm)	5,1 po (13 cm)	21,7 po (55 cm)	8,7 po (22 cm)
94 po	38,6 po (98 cm)	2,4 po (6 cm)	18,9 po (48 cm)	5,9 po (15 cm)	43,7 po (111 cm)	2,8 po (7 cm)	19,7 po (50 cm)	6,7 po (17 cm)	39,8 po (101 cm)	5,1 po (13 cm)	21,7 po (55 cm)	8,7 po (22 cm)
95 po	39 po (99 cm)	2,4 po (6 cm)	18,9 po (48 cm)	5,9 po (15 cm)	44,5 po (113 cm)	2,8 po (7 cm)	19,7 po (50 cm)	6,7 po (17 cm)	40,2 po (102 cm)	5,1 po (13 cm)	21,7 po (55 cm)	8,7 po (22 cm)
96 po	39,4 po (100 cm)	2,4 po (6 cm)	18,9 po (48 cm)	5,9 po (15 cm)	44,9 po (114 cm)	2,8 po (7 cm)	20,1 po (51 cm)	6,7 po (17 cm)	40,6 po (103 cm)	5,1 po (13 cm)	21,7 po (55 cm)	8,7 po (22 cm)
97 po	39,8 po (101 cm)	2,8 po (7 cm)	19,3 po (49 cm)	5,9 po (15 cm)	45,3 po (115 cm)	2,8 po (7 cm)	20,1 po (51 cm)	6,7 po (17 cm)	40,9 po (104 cm)	5,1 po (13 cm)	21,7 po (55 cm)	8,7 po (22 cm)
98 po	40,2 po (102 cm)	2,8 po (7 cm)	19,3 po (49 cm)	6,3 po (16 cm)	45,7 po (116 cm)	2,8 po (7 cm)	20,1 po (51 cm)	7,1 po (18 cm)	41,3 po (105 cm)	5,1 po (13 cm)	22,1 po (56 cm)	9,1 po (23 cm)

Taille de l'écran	16:10 WXGA						4:3 XGA						Grand écran 16:9					
	Distance de projection minimale (A)*	Réglage de l'angle vertical (B)**	Distance entre le haut de l'image et le plafond (C)	Distance entre le haut de l'image et le centre de l'objectif (D)	Distance de projection minimale (A)*	Réglage de l'angle vertical (B)**	Distance entre le haut de l'image et le plafond (C)	Distance entre le haut de l'image et le centre de l'objectif (D)	Distance de projection minimale (A)*	Réglage de l'angle vertical (B)**	Distance entre le haut de l'image et le plafond (C)	Distance entre le haut de l'image et le centre de l'objectif (D)	Distance de projection minimale (A)*	Réglage de l'angle vertical (B)**	Distance entre le haut de l'image et le plafond (C)	Distance entre le haut de l'image et le centre de l'objectif (D)		
99 po	40,9 po (104 cm)	2,8 po (7 cm)	19,3 po (49 cm)	6,3 po (16 cm)	46,5 po (118 cm)	2,8 po (7 cm)	20,1 po (51 cm)	7,1 po (18 cm)	41,7 po (106 cm)	5,1 po (13 cm)	22,1 po (56 cm)	9,1 po (23 cm)	41,7 po (106 cm)	5,1 po (13 cm)	22,1 po (56 cm)	9,1 po (23 cm)		
100 po	41,3 po (105 cm)	2,8 po (7 cm)	19,3 po (49 cm)	6,3 po (16 cm)	46,9 po (119 cm)	2,8 po (7 cm)	20,1 po (51 cm)	7,1 po (18 cm)	42,5 po (108 cm)	5,1 po (13 cm)	22,1 po (56 cm)	9,1 po (23 cm)	42,5 po (108 cm)	5,1 po (13 cm)	22,1 po (56 cm)	9,1 po (23 cm)		
101 po	41,7 po (106 cm)	2,8 po (7 cm)	19,3 po (49 cm)	6,3 po (16 cm)	-	-	-	-	42,9 po (109 cm)	5,1 po (13 cm)	22,1 po (56 cm)	9,1 po (23 cm)	42,9 po (109 cm)	5,1 po (13 cm)	22,1 po (56 cm)	9,1 po (23 cm)		
102 po	42,1 po (107 cm)	2,8 po (7 cm)	19,3 po (49 cm)	6,3 po (16 cm)	-	-	-	-	43,3 po (110 cm)	5,5 po (14 cm)	22,4 po (57 cm)	9,4 po (24 cm)	43,3 po (110 cm)	5,5 po (14 cm)	22,4 po (57 cm)	9,4 po (24 cm)		
103 po	42,5 po (108 cm)	2,8 po (7 cm)	19,7 po (50 cm)	6,3 po (16 cm)	-	-	-	-	43,7 po (111 cm)	5,5 po (14 cm)	22,4 po (57 cm)	9,4 po (24 cm)	43,7 po (111 cm)	5,5 po (14 cm)	22,4 po (57 cm)	9,4 po (24 cm)		
104 po	42,9 po (109 cm)	2,8 po (7 cm)	19,7 po (50 cm)	6,3 po (16 cm)	-	-	-	-	44,1 po (112 cm)	5,5 po (14 cm)	22,4 po (57 cm)	9,4 po (24 cm)	44,1 po (112 cm)	5,5 po (14 cm)	22,4 po (57 cm)	9,4 po (24 cm)		
105 po	43,3 po (110 cm)	2,8 po (7 cm)	19,7 po (50 cm)	6,7 po (17 cm)	-	-	-	-	44,5 po (113 cm)	5,5 po (14 cm)	22,4 po (57 cm)	9,4 po (24 cm)	44,5 po (113 cm)	5,5 po (14 cm)	22,4 po (57 cm)	9,4 po (24 cm)		
106 po	43,7 po (111 cm)	2,8 po (7 cm)	19,7 po (50 cm)	6,7 po (17 cm)	-	-	-	-	44,9 po (114 cm)	5,5 po (14 cm)	22,8 po (58 cm)	9,8 po (25 cm)	44,9 po (114 cm)	5,5 po (14 cm)	22,8 po (58 cm)	9,8 po (25 cm)		
107 po	44,1 po (112 cm)	2,8 po (7 cm)	19,7 po (50 cm)	6,7 po (17 cm)	-	-	-	-	45,3 po (115 cm)	5,5 po (14 cm)	22,8 po (58 cm)	9,8 po (25 cm)	45,3 po (115 cm)	5,5 po (14 cm)	22,8 po (58 cm)	9,8 po (25 cm)		
108 po	44,5 po (113 cm)	2,8 po (7 cm)	20,1 po (51 cm)	6,7 po (17 cm)	-	-	-	-	45,7 po (116 cm)	5,5 po (14 cm)	22,8 po (58 cm)	9,8 po (25 cm)	45,7 po (116 cm)	5,5 po (14 cm)	22,8 po (58 cm)	9,8 po (25 cm)		
109 po	44,9 po (114 cm)	2,8 po (7 cm)	20,1 po (51 cm)	6,7 po (17 cm)	-	-	-	-	46,5 po (118 cm)	5,5 po (14 cm)	22,8 po (58 cm)	9,8 po (25 cm)	46,5 po (118 cm)	5,5 po (14 cm)	22,8 po (58 cm)	9,8 po (25 cm)		
110 po	45,3 po (115 cm)	2,8 po (7 cm)	20,1 po (51 cm)	6,7 po (17 cm)	-	-	-	-	46,9 po (119 cm)	5,5 po (14 cm)	22,8 po (58 cm)	9,8 po (25 cm)	46,9 po (119 cm)	5,5 po (14 cm)	22,8 po (58 cm)	9,8 po (25 cm)		
111 po	45,7 po (116 cm)	2,8 po (7 cm)	20,1 po (51 cm)	7,1 po (18 cm)	-	-	-	-	-	-	-	-	-	-	-	-		
112 po	46,5 po (118 cm)	2,8 po (7 cm)	20,1 po (51 cm)	7,1 po (18 cm)	-	-	-	-	-	-	-	-	-	-	-	-		
113 po	46,9 po (119 cm)	2,8 po (7 cm)	20,1 po (51 cm)	7,1 po (18 cm)	-	-	-	-	-	-	-	-	-	-	-	-		

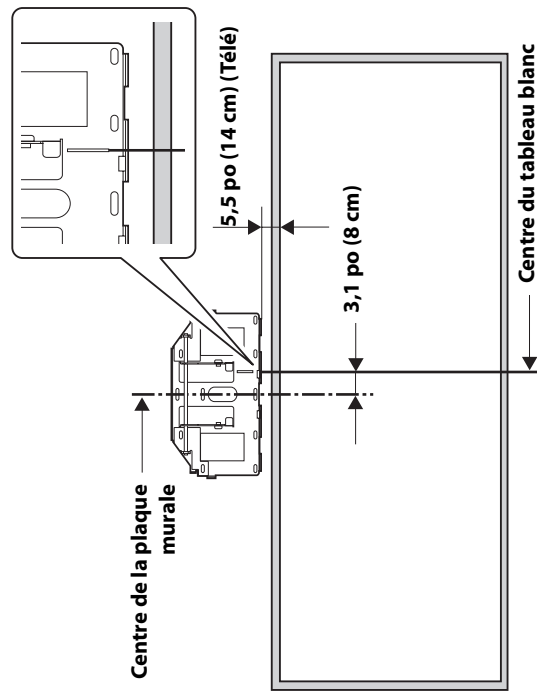
* La distance de projection est mesurée à partir de l'objectif du projecteur jusqu'à la surface de projection.

** Les ajustements verticaux sont effectués avec la vis d'ajustement de l'angle vertical. (Voir la pièce « E » sur l'image de la page 44.)

Mesures d'installation des modèles PowerLite 525W/535 W et BrightLink 536Wi - Télé

	Plages de tailles de l'écran	Plage sde distances de projection (A)	Plages d'ajustements verticaux (B)	Plages de distances entre le haut de l'image projetée et le plafond (C)
16:10 WXGA*	50 - 84 po	27,6 - 46,9 po (70 - 119 cm)	0 - 6,7 po (0 - 17 cm)	20,1 - 26 po (51 - 66 cm)
4:3 XGA*	44 - 74 po	27,2 - 46,9 po (69 - 119 cm)	0 - 6,7 po (0 - 17 cm)	20,1 - 26 po (51 - 66 cm)
Grand écran 16:9*	48 - 82 po	27,2 - 46,9 po (69 - 119 cm)	2 - 9,1 po (5 - 23 cm)	17,7 - 23,6 po (45 - 60 cm)

* Laissez au moins un espace de 5,5 po (14 cm) entre le haut du tableau blanc et le bas de la plaque murale.



Mesures d'installation des modèles PowerLite 520/530 - Grand écran

Taille de l'écran	16:10 WXGA					4:3 XGA					Grand écran 16:9					
	Distance de projection minimale (A)*	Réglage de l'angle vertical (B)**	Distance entre le haut de l'image et le plafond (C)	Distance entre le haut de l'image et le centre de l'objectif (D)	Distance de projection minimale (A)*	Réglage de l'angle vertical (B)**	Distance entre le haut de l'image et le plafond (C)	Distance entre le haut de l'image et le centre de l'objectif (D)	Distance de projection minimale (A)*	Réglage de l'angle vertical (B)**	Distance entre le haut de l'image et le plafond (C)	Distance entre le haut de l'image et le centre de l'objectif (D)	Distance de projection minimale (A)*	Réglage de l'angle vertical (B)**	Distance entre le haut de l'image et le plafond (C)	Distance entre le haut de l'image et le centre de l'objectif (D)
58 po	-	-	-	-	-	-	-	-	-	-	-	-	27,6 po (70 cm)	5,9 po (15 cm)	20,9 po (53 cm)	7,9 po (20 cm)
59 po	-	-	-	-	-	-	-	-	-	-	-	-	28 po (71 cm)	6,3 po (16 cm)	21,3 po (54 cm)	8,3 po (21 cm)
60 po	27,6 po (70 cm)	4,3 po (11 cm)	19,3 po (49 cm)	6,3 po (16 cm)	-	-	-	-	-	-	-	-	28,4 po (72 cm)	6,3 po (16 cm)	21,3 po (54 cm)	8,3 po (21 cm)
61 po	28,4 po (72 cm)	4,7 po (12 cm)	19,7 po (50 cm)	6,7 po (17 cm)	-	-	-	-	-	-	-	-	29,1 po (74 cm)	6,3 po (16 cm)	21,7 po (55 cm)	8,3 po (21 cm)
62 po	28,7 po (73 cm)	4,7 po (12 cm)	19,7 po (50 cm)	6,7 po (17 cm)	-	-	-	-	-	-	-	-	29,5 po (75 cm)	6,3 po (16 cm)	21,7 po (55 cm)	8,7 po (22 cm)
63 po	29,1 po (74 cm)	4,7 po (12 cm)	19,7 po (50 cm)	6,7 po (17 cm)	27,6 po (70 cm)	0,8 po (2 cm)	16,1 po (41 cm)	3,1 po (8 cm)	29,9 po (76 cm)	6,3 po (16 cm)	21,7 po (55 cm)	8,7 po (22 cm)	30,3 po (77 cm)	6,7 po (17 cm)	22,1 po (56 cm)	8,7 po (22 cm)
64 po	29,5 po (75 cm)	4,7 po (12 cm)	20,1 po (51 cm)	6,7 po (17 cm)	28 po (71 cm)	0,8 po (2 cm)	16,5 po (42 cm)	3,1 po (8 cm)	30,3 po (77 cm)	6,7 po (17 cm)	22,1 po (56 cm)	8,7 po (22 cm)	31,1 po (79 cm)	6,7 po (17 cm)	22,1 po (56 cm)	9,1 po (23 cm)
65 po	29,9 po (76 cm)	4,7 po (12 cm)	20,1 po (51 cm)	7,1 po (18 cm)	28,4 po (72 cm)	0,8 po (2 cm)	16,5 po (42 cm)	3,5 po (9 cm)	31,5 po (80 cm)	6,7 po (17 cm)	22,1 po (56 cm)	9,1 po (23 cm)	31,5 po (80 cm)	6,7 po (17 cm)	22,1 po (56 cm)	9,1 po (23 cm)
66 po	30,7 po (78 cm)	4,7 po (12 cm)	20,1 po (51 cm)	7,1 po (18 cm)	28,7 po (73 cm)	0,8 po (2 cm)	16,5 po (42 cm)	3,5 po (9 cm)	31,9 po (81 cm)	6,7 po (17 cm)	22,4 in (57 cm)	9,1 po (23 cm)	31,9 po (81 cm)	6,7 po (17 cm)	22,4 in (57 cm)	9,1 po (23 cm)
67 po	31,1 po (79 cm)	5,1 po (13 cm)	20,1 po (51 cm)	7,1 po (18 cm)	29,1 po (74 cm)	0,8 po (2 cm)	16,5 po (42 cm)	3,5 po (9 cm)	32,3 po (82 cm)	6,7 po (17 cm)	22,4 in (57 cm)	9,4 po (24 cm)	31,9 po (81 cm)	6,7 po (17 cm)	22,4 in (57 cm)	9,4 po (24 cm)
68 po	31,5 po (80 cm)	5,1 po (13 cm)	20,5 po (52 cm)	7,1 po (18 cm)	29,5 po (75 cm)	0,8 po (2 cm)	16,5 po (42 cm)	3,5 po (9 cm)	32,3 po (82 cm)	6,7 po (17 cm)	22,8 po (58 cm)	9,4 po (24 cm)	32,3 po (82 cm)	6,7 po (17 cm)	22,8 po (58 cm)	9,4 po (24 cm)
69 po	31,9 po (81 cm)	5,1 po (13 cm)	20,5 po (52 cm)	7,5 po (19 cm)	30,3 po (77 cm)	0,8 po (2 cm)	16,5 po (42 cm)	3,5 po (9 cm)	33,1 po (84 cm)	7,1 po (18 cm)	22,8 po (58 cm)	9,4 po (24 cm)	33,1 po (84 cm)	7,1 po (18 cm)	22,8 po (58 cm)	9,4 po (24 cm)
70 po	32,7 po (83 cm)	5,1 po (13 cm)	20,5 po (52 cm)	7,5 po (19 cm)	30,7 po (78 cm)	0,8 po (2 cm)	16,5 po (42 cm)	3,5 po (9 cm)	33,5 po (85 cm)	7,1 po (18 cm)	22,8 po (58 cm)	9,4 po (24 cm)	33,5 po (85 cm)	7,1 po (18 cm)	22,8 po (58 cm)	9,4 po (24 cm)
71 po	33,1 po (84 cm)	5,1 po (13 cm)	20,5 po (52 cm)	7,5 po (19 cm)	31,1 po (79 cm)	0,8 po (2 cm)	16,9 po (43 cm)	3,5 po (9 cm)	33,9 po (86 cm)	7,1 po (18 cm)	22,8 po (58 cm)	9,8 po (25 cm)	33,9 po (86 cm)	7,1 po (18 cm)	22,8 po (58 cm)	9,8 po (25 cm)
72 po	33,5 po (85 cm)	5,1 po (13 cm)	20,9 po (53 cm)	7,9 po (20 cm)	31,5 po (80 cm)	0,8 po (2 cm)	16,9 po (43 cm)	3,5 po (9 cm)	34,3 po (87 cm)	7,1 po (18 cm)	22,8 po (58 cm)	9,8 po (25 cm)	34,3 po (87 cm)	7,1 po (18 cm)	22,8 po (58 cm)	9,8 po (25 cm)
73 po	33,9 po (86 cm)	5,1 po (13 cm)	20,9 po (53 cm)	7,9 po (20 cm)	31,9 po (81 cm)	0,8 po (2 cm)	16,9 po (43 cm)	3,5 po (9 cm)	35 po (89 cm)	7,5 po (19 cm)	23,2 po (59 cm)	9,8 po (25 cm)	35 po (89 cm)	7,5 po (19 cm)	23,2 po (59 cm)	9,8 po (25 cm)
74 po	34,3 po (87 cm)	5,5 po (14 cm)	20,9 po (53 cm)	7,9 po (20 cm)	32,3 po (82 cm)	0,8 po (2 cm)	16,9 po (43 cm)	3,9 po (10 cm)	35,4 po (90 cm)	7,5 po (19 cm)	23,2 po (59 cm)	10,2 po (26 cm)	35,4 po (90 cm)	7,5 po (19 cm)	23,2 po (59 cm)	10,2 po (26 cm)
75 po	35 po (89 cm)	5,5 po (14 cm)	21,3 po (54 cm)	7,9 po (20 cm)	32,7 po (83 cm)	0,8 po (2 cm)	16,9 po (43 cm)	3,9 po (10 cm)	35,8 po (91 cm)	7,5 po (19 cm)	23,6 po (60 cm)	10,2 po (26 cm)	35,8 po (91 cm)	7,5 po (19 cm)	23,6 po (60 cm)	10,2 po (26 cm)
76 po	35,4 po (90 cm)	5,5 po (14 cm)	21,3 po (54 cm)	8,3 po (21 cm)	33,5 po (85 cm)	0,8 po (2 cm)	16,9 po (43 cm)	3,9 po (10 cm)	36,2 po (92 cm)	7,5 po (19 cm)	23,6 po (60 cm)	10,2 po (26 cm)	36,2 po (92 cm)	7,5 po (19 cm)	23,6 po (60 cm)	10,2 po (26 cm)

Taille de l'écran	16:10 WXGA				4:3 XGA				Grand écran 16:9			
	Distance de projection minimale (A)*	Réglage de l'angle vertical (B)**	Distance entre l'image et le plafond (C)	Distance entre le haut de l'image et le centre de l'objectif (D)	Distance de projection minimale (A)*	Réglage de l'angle vertical (B)**	Distance entre l'image et le plafond (C)	Distance entre le haut de l'image et le centre de l'objectif (D)	Distance de projection minimale (A)*	Réglage de l'angle vertical (B)**	Distance entre l'image et le plafond (C)	Distance entre le haut de l'image et le centre de l'objectif (D)
77 po	35,8 po (91 cm)	5,5 po (14 cm)	21,3 po (54 cm)	8,3 po (21 cm)	33,9 po (86 cm)	0,8 po (2 cm)	16,9 po (43 cm)	3,9 po (10 cm)	37 po (94 cm)	7,5 po (19 cm)	23,6 po (60 cm)	10,6 po (27 cm)
78 po	36,2 po (92 cm)	5,5 po (14 cm)	21,3 po (54 cm)	8,3 po (21 cm)	34,3 po (87 cm)	0,8 po (2 cm)	17,3 po (44 cm)	3,9 po (10 cm)	37,4 po (95 cm)	7,9 po (20 cm)	23,6 po (60 cm)	10,6 po (27 cm)
79 po	37 po (94 cm)	5,5 po (14 cm)	21,7 po (55 cm)	8,3 po (21 cm)	34,7 po (88 cm)	0,8 po (2 cm)	17,3 po (44 cm)	3,9 po (10 cm)	37,8 po (96 cm)	7,9 po (20 cm)	23,6 po (60 cm)	11 po (28 cm)
80 po	37,4 po (95 cm)	5,5 po (14 cm)	21,7 po (55 cm)	8,7 po (22 cm)	35 po (89 cm)	0,8 po (2 cm)	17,3 po (44 cm)	3,9 po (10 cm)	38,6 po (98 cm)	7,9 po (20 cm)	23,6 po (60 cm)	11 po (28 cm)
81 po	37,8 po (96 cm)	5,9 po (15 cm)	21,7 po (55 cm)	8,7 po (22 cm)	35,4 po (90 cm)	0,8 po (2 cm)	17,3 po (44 cm)	3,9 po (10 cm)	39 po (99 cm)	7,9 po (20 cm)	23,6 po (60 cm)	11 po (28 cm)
82 po	38,2 po (97 cm)	5,9 po (15 cm)	22,1 po (56 cm)	8,7 po (22 cm)	36,2 po (92 cm)	0,8 po (2 cm)	17,3 po (44 cm)	4,3 po (11 cm)	39,4 po (100 cm)	7,9 po (20 cm)	23,6 po (60 cm)	11,4 po (29 cm)
83 po	38,6 po (98 cm)	5,9 po (15 cm)	22,1 po (56 cm)	9,1 po (23 cm)	36,6 po (93 cm)	0,8 po (2 cm)	17,3 po (44 cm)	4,3 po (11 cm)	39,8 po (101 cm)	8,3 po (21 cm)	23,6 po (60 cm)	11,4 po (29 cm)
84 po	39,4 po (100 cm)	5,9 po (15 cm)	22,1 po (56 cm)	9,1 po (23 cm)	37 po (94 cm)	0,8 po (2 cm)	17,3 po (44 cm)	4,3 po (11 cm)	40,6 po (103 cm)	8,3 po (21 cm)	23,6 po (60 cm)	11,4 po (29 cm)
85 po	39,8 po (101 cm)	5,9 po (15 cm)	22,1 po (56 cm)	9,1 po (23 cm)	37,4 po (95 cm)	0,8 po (2 cm)	17,7 po (45 cm)	4,3 po (11 cm)	40,9 po (104 cm)	8,3 po (21 cm)	23,6 po (60 cm)	11,8 po (30 cm)
86 po	40,2 po (102 cm)	5,9 po (15 cm)	22,4 po (57 cm)	9,1 po (23 cm)	37,8 po (96 cm)	0,8 po (2 cm)	17,7 po (45 cm)	4,3 po (11 cm)	41,3 po (105 cm)	8,3 po (21 cm)	23,6 po (60 cm)	11,8 po (30 cm)
87 po	40,6 po (103 cm)	6,3 po (16 cm)	22,4 po (57 cm)	9,4 po (24 cm)	38,2 po (97 cm)	0,8 po (2 cm)	17,7 po (45 cm)	4,3 po (11 cm)	41,7 po (106 cm)	8,3 po (21 cm)	23,6 po (60 cm)	11,8 po (30 cm)
88 po	41,3 po (105 cm)	6,3 po (16 cm)	22,4 po (57 cm)	9,4 po (24 cm)	38,6 po (98 cm)	0,8 po (2 cm)	17,7 po (45 cm)	4,3 po (11 cm)	42,5 po (108 cm)	8,7 po (22 cm)	23,6 po (60 cm)	12,2 po (31 cm)
89 po	41,7 po (106 cm)	6,3 po (16 cm)	22,4 po (57 cm)	9,4 po (24 cm)	39,4 po (100 cm)	0,8 po (2 cm)	17,7 po (45 cm)	4,3 po (11 cm)	42,9 po (109 cm)	8,7 po (22 cm)	23,6 po (60 cm)	12,2 po (31 cm)
90 po	42,1 po (107 cm)	6,3 po (16 cm)	22,8 po (58 cm)	9,4 po (24 cm)	39,8 po (101 cm)	0,8 po (2 cm)	17,7 po (45 cm)	4,7 po (12 cm)	43,3 po (110 cm)	8,7 po (22 cm)	23,6 po (60 cm)	12,2 po (31 cm)
91 po	42,5 po (108 cm)	6,3 po (16 cm)	22,8 po (58 cm)	9,8 po (25 cm)	40,2 po (102 cm)	0,8 po (2 cm)	17,7 po (45 cm)	4,7 po (12 cm)	43,7 po (111 cm)	8,7 po (22 cm)	23,6 po (60 cm)	12,6 po (32 cm)
92 po	42,9 po (109 cm)	6,3 po (16 cm)	22,8 po (58 cm)	9,8 po (25 cm)	40,6 po (103 cm)	0,8 po (2 cm)	17,7 po (45 cm)	4,7 po (12 cm)	44,5 po (113 cm)	8,7 po (22 cm)	23,6 po (60 cm)	12,6 po (32 cm)
93 po	43,7 po (111 cm)	6,3 po (16 cm)	23,2 po (59 cm)	9,8 po (25 cm)	40,9 po (104 cm)	0,8 po (2 cm)	18,1 po (46 cm)	4,7 po (12 cm)	44,9 po (114 cm)	9,1 po (23 cm)	23,6 po (60 cm)	12,6 po (32 cm)
94 po	44,1 po (112 cm)	6,7 po (17 cm)	23,2 po (59 cm)	10,2 po (26 cm)	41,3 po (105 cm)	0,8 po (2 cm)	18,1 po (46 cm)	4,7 po (12 cm)	45,3 po (115 cm)	9,1 po (23 cm)	23,6 po (60 cm)	13 po (33 cm)
95 po	44,5 po (113 cm)	6,7 po (17 cm)	23,2 po (59 cm)	10,2 po (26 cm)	42,1 po (107 cm)	0,8 po (2 cm)	18,1 po (46 cm)	4,7 po (12 cm)	45,7 po (116 cm)	9,1 po (23 cm)	23,6 po (60 cm)	13 po (33 cm)
96 po	44,9 po (114 cm)	6,7 po (17 cm)	23,2 po (59 cm)	10,2 po (26 cm)	42,5 po (108 cm)	0,8 po (2 cm)	18,1 po (46 cm)	4,7 po (12 cm)	46,5 po (118 cm)	9,1 po (23 cm)	23,6 po (60 cm)	13 po (33 cm)

Taille de l'écran	16:10 WXGA				4:3 XGA				Grand écran 16:9			
	Distance de projection minimale (A)*	Réglage de l'angle vertical (B)**	Distance entre le haut de l'image et le plafond (C)	Distance entre le haut de l'image et le centre de l'objectif (D)	Distance de projection minimale (A)*	Réglage de l'angle vertical (B)**	Distance entre le haut de l'image et le plafond (C)	Distance entre le haut de l'image et le centre de l'objectif (D)	Distance de projection minimale (A)*	Réglage de l'angle vertical (B)**	Distance entre le haut de l'image et le plafond (C)	Distance entre le haut de l'image et le centre de l'objectif (D)
97 po	45,7 po (116 cm)	6,7 po (17 cm)	23,6 po (60 cm)	10,2 po (26 cm)	42,9 po (109 cm)	0,8 po (2 cm)	18,1 po (46 cm)	5,1 po (13 cm)	46,9 po (119 cm)	9,1 po (23 cm)	23,6 po (60 cm)	13,4 po (34 cm)
98 po	46,1 po (117 cm)	6,7 po (17 cm)	23,6 po (60 cm)	10,6 po (27 cm)	43,3 po (110 cm)	0,8 po (2 cm)	18,1 po (46 cm)	5,1 po (13 cm)	-	-	-	-
99 po	46,5 po (118 cm)	6,7 po (17 cm)	23,6 po (60 cm)	10,6 po (27 cm)	43,7 po (111 cm)	0,8 po (2 cm)	18,1 po (46 cm)	5,1 po (13 cm)	-	-	-	-
100 po	46,9 po (119 cm)	6,7 po (17 cm)	23,6 po (60 cm)	10,6 po (27 cm)	44,1 po (112 cm)	0,8 po (2 cm)	18,5 po (47 cm)	5,1 po (13 cm)	-	-	-	-
101 po	-	-	-	-	44,9 po (114 cm)	0,8 po (2 cm)	18,5 po (47 cm)	5,1 po (13 cm)	-	-	-	-
102 po	-	-	-	-	45,3 po (115 cm)	0,8 po (2 cm)	18,5 po (47 cm)	5,1 po (13 cm)	-	-	-	-
103 po	-	-	-	-	45,7 po (116 cm)	0,8 po (2 cm)	18,5 po (47 cm)	5,1 po (13 cm)	-	-	-	-
104 po	-	-	-	-	46,1 po (117 cm)	0,8 po (2 cm)	18,5 po (47 cm)	5,1 po (13 cm)	-	-	-	-
105 po	-	-	-	-	46,5 po (118 cm)	0,8 po (2 cm)	18,5 po (47 cm)	5,5 po (14 cm)	-	-	-	-
106 po	-	-	-	-	46,9 po (119 cm)	0,8 po (2 cm)	18,9 po (48 cm)	5,5 po (14 cm)	-	-	-	-

* La distance de projection est mesurée à partir de l'objectif du projecteur jusqu'à la surface de projection.

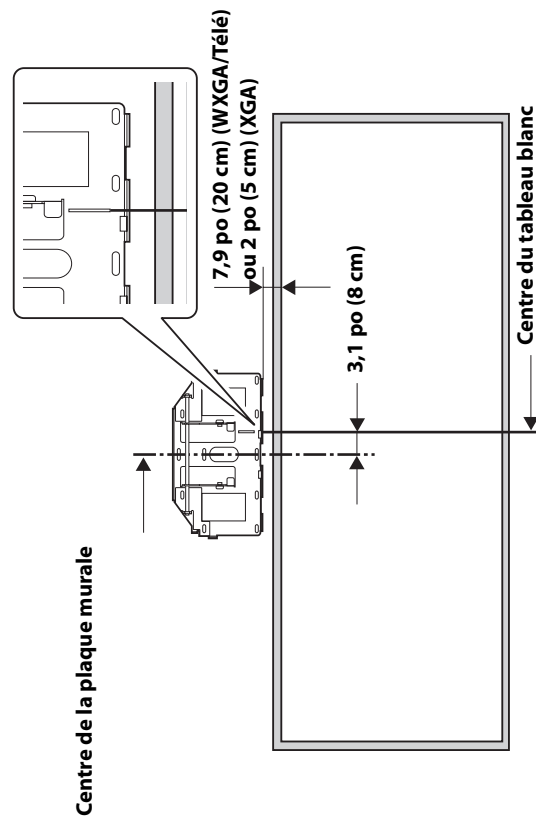
** Les ajustements verticaux sont effectués avec la vis d'ajustement de l'angle vertical. (Voir la pièce « E » sur l'image de la page 44.)

Mesures d'installation des modèles PowerLite 520/530 - Télé

	Plages de tailles de l'écran	Plages de distances de projection (A)	Plages d'ajustements verticaux (B)	Plages de distances entre le haut de l'image projetée et le plafond (C)
16:10 WXGA*	44 - 74 po	27,6 - 46,9 po (70 - 119 cm)	0 - 7,1 po (0 - 18 cm)	19,7 - 25,6 po (50 - 65 cm)
4:3 XGA**	46 - 78 po	27,2 - 46,5 po (69 - 118 cm)	2 - 8,7 po (5 - 22 cm)	17,7 - 23,6 po (45 - 60 cm)
Grand écran 16:9*	43 - 72 po	27,6 - 46,9 po (70 - 119 cm)	2 - 9,1 po (5 - 23 cm)	17,7 - 23,6 po (45 - 60 cm)

* Laissez au moins un espace de 7,9 po (20 cm) entre le haut du tableau blanc et le bas de la plaque murale.

** Laissez au moins un espace de 2 po (5 cm) entre le haut du tableau blanc et le bas de la plaque murale.



Si vous possédez déjà un tableau blanc interactif, consultez le tableau des modèles et des tailles courants ci-dessous. Si votre tableau figure dans la liste, utilisez les dimensions indiquées pour trouver les conditions d'installation nécessaires aux pages 45 à 52.

Tailles de tableaux blancs interactifs

Spécifications de la taille à la diagonale	16:10 WXGA	4:3 XGA	Grand écran 16:9
57 po	—	PolyVision TS410	—
60 po	—	Hitachi® Cambridge board 60 RM ClassBoard2 60 INTERWRITE ^{MC} BOARD 1060 INTERWRITE Dual board 1260	—
63 po	—	Hitachi StarBoard FX-63	—
64 po	—	SMART ^{MC} Board® 660 Promethean ActivBoard 164	—
66 po	—	TeamBoard RT TMWM5422CL/EM	—
71 po	—	—	INTERWRITE BOARD 1071
75 po	PolyVision® ENO® 2650	—	—
77 po	—	Hitachi Cambridge Board 77 Hitachi StarBoard FX DUO 77 SMART Board 680 SMART BoardX880 INTERWRITE BOARD 1077 TeamBoard RT TMWM6250CL/EM	INTERWRITE Dual board 1277
77,5 po	—	RM ClassBoard2 77,5	—
78 po	PolyVision TS 600/ TS620 / TSL620	PolyVision TS610 Promethean ActivBoard 178 / 378	—
79 po	—	INTERWRITE Dual Board 1279	—
80 po	—	—	RM Classboard 85
82 po	—	—	Hitachi StarBoard FX-82W
85 po	TeamBoard RT TMWM7450EM	—	INTERWRITE BOARD 1085 INTERWRITE Dual Board 1285
87 po	SMART Board 685 SMART BoardX 885 Promethean ActivBoard 387 Promethean ActivBoard 587 pro	—	—
88 po	Hitachi StarBoard FX DUO-88W	—	—
89 po	—	INTERWRITE Dual Board 1289	—
93 po	—	—	PolyVision ENO 2810
94 po	—	—	SMART Board 690
95 po	—	—	INTERWRITE BOARD 1095 INTERWRITE Dual Board 1295 Promethean ActivBoard 395 Promethean ActivBoard 595 pro

5 Installation du projecteur

Assurez-vous de suivre les étapes ci-dessous pour installer le support de montage au mur. Si vous les ignorez, le support de montage au mur pourrait tomber et provoquer des blessures corporelles et des dommages matériels.

Avertissement

- ❑ **Le mur sur lequel vous installez le projecteur avec le support de montage doit être assez solide pour supporter le projecteur, le support de montage au mur et les câbles. Ce support de montage au mur doit être installé sur un mur en béton. Confirmez le poids du projecteur, du support de montage et des câbles avant l'installation, et vérifiez la solidité du mur. Si le mur n'est pas assez solide, renforcez-le avant l'installation.**
- ❑ **Installez le support de montage au mur de sorte qu'il puisse supporter son poids ainsi que celui du projecteur et résister à toute vibration horizontale. Utilisez des écrous et des boulons M8. Si vous utilisez des écrous et des boulons de taille inférieure à M8, le support de montage au mur risque de tomber.**
- ❑ **Epson n'accepte aucune responsabilité pour tout dommage ou toute blessure causés par une solidité du mur insuffisante ou une installation inappropriée.**

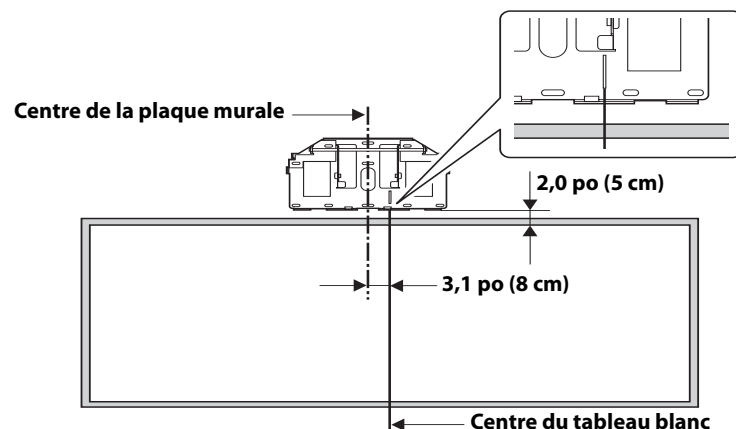


Assurez-vous aussi qu'il existe un espace de 16 à 26 po (410 à 660 mm) entre le haut de l'image projetée sur le tableau blanc et le plafond à l'endroit où le support de montage au mur est installé. Consultez la section « Positionnement du projecteur » à la page 43 pour plus de détails.

1. Installation de la plaque murale

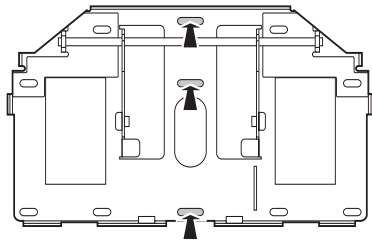
1. Déterminez où vous voulez installer la plaque murale, puis marquez cette position sur le mur.
2. Alignez la ligne indiquée sur la plaque murale avec le centre vertical du tableau blanc, tel qu'illustré ci-dessous. La ligne est située à 3,1 po (8 cm) vers la droite par rapport au centre vertical de la plaque murale. Laissez un écart d'au moins 2 po (5 cm) (PowerLite 525W/535W et BrightLink 536Wi) ou d'au moins 5,5 po (14 cm) (PowerLite 520/530) entre le haut du tableau blanc et le bas de la plaque murale. Toutefois, si vous utilisez la taille d'écran maximum (télé), reportez-vous aux tableaux des pages précédentes.

Après l'installation, vous pouvez faire glisser le projecteur horizontalement de 1,8 po (4,5 cm) en utilisant la glissière du dispositif de réglage. Consultez la section « Mise sous tension du projecteur et vérification de l'image » à la page 61 pour plus de détails.

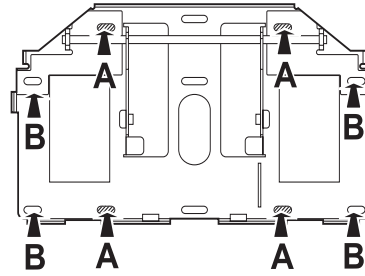


- Positionnez la plaque murale sur les marques que vous avez faites à l'étape 1, puis marquez les points où la plaque murale sera fixée comme indiqué sur la figure suivante.

Utilisez au moins trois points. Si vous fixez la plaque murale à quatre emplacements, percez les trous indiqués par A ou B sur l'illustration ci-dessous.



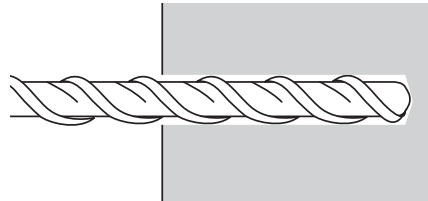
Trois trous de montage



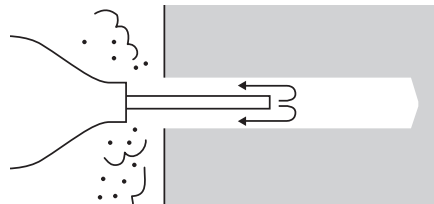
Quatre trous de montage

- Percez des trous de diamètre et de profondeur suivants aux points que vous avez marqués.

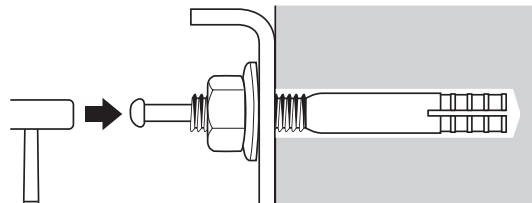
Diamètre de perçage	0,3 po (8,5 mm)
Profondeur du trou pilote	1,6 po (40 mm)
Profondeur du trou de la patte de fixation	1,4 po (35 mm)



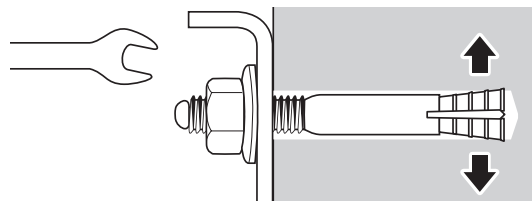
- Utilisez un appareil tel qu'une pompe à poussière pour enlever la poussière de béton hors du trou.



- Positionnez la plaque murale sur le mur et insérez les pattes de fixation à expansion M8 × 60 mm dans les trous. Fixez l'écrou et frappez-le avec un marteau jusqu'à ce que la partie centrale touche le dessus de la patte de fixation.



- Serrez l'écrou avec une clé pour fixer la plaque murale au mur.

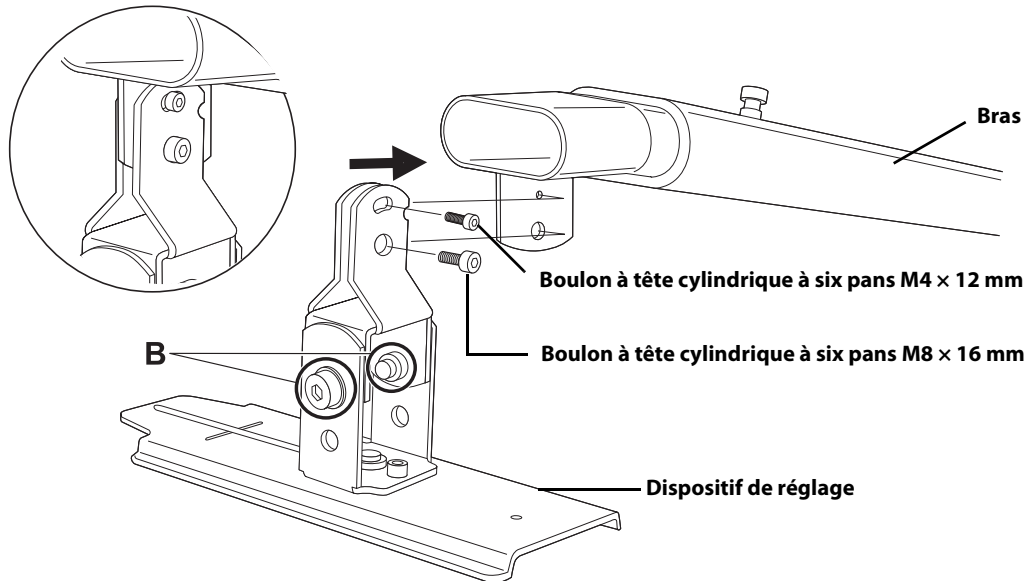


2. Assemblage du support de montage au mur

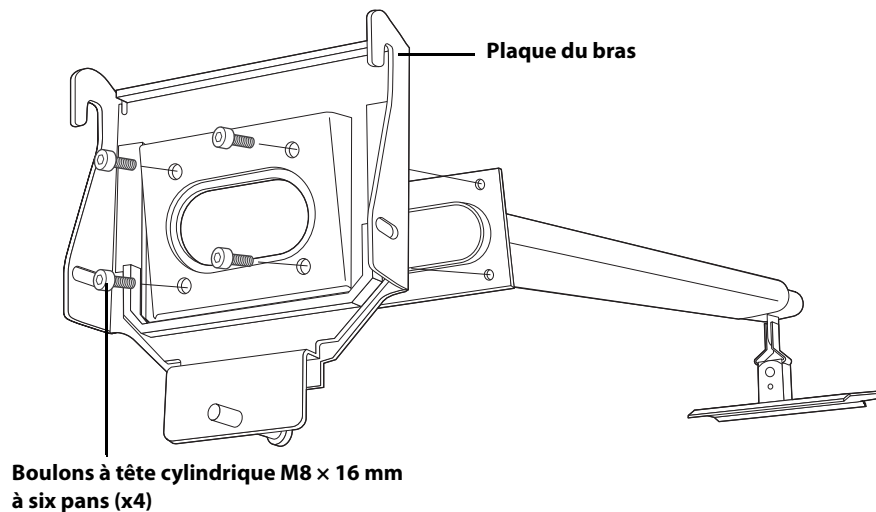
1. Attachez le dispositif de réglage au bras.
2. Resserrez partiellement les boulons à tête cylindrique à six pans M4 × 12 mm et les boulons à tête cylindrique à six pans M8 × 16 mm à l'aide des clés à six pans (M4 et M8).



Vous devez changer la position des vis du dispositif de réglage (B) si vous utilisez le support de montage au mur avec un produit autre que les projecteurs PowerLite 520/525W/530/535W ou BrightLink 536Wi.



3. Fixez la plaque du bras avec une clé à six pans (M8) et quatre boulons à tête cylindrique à six pans M8 x 16 mm. Vissez fermement les vis.

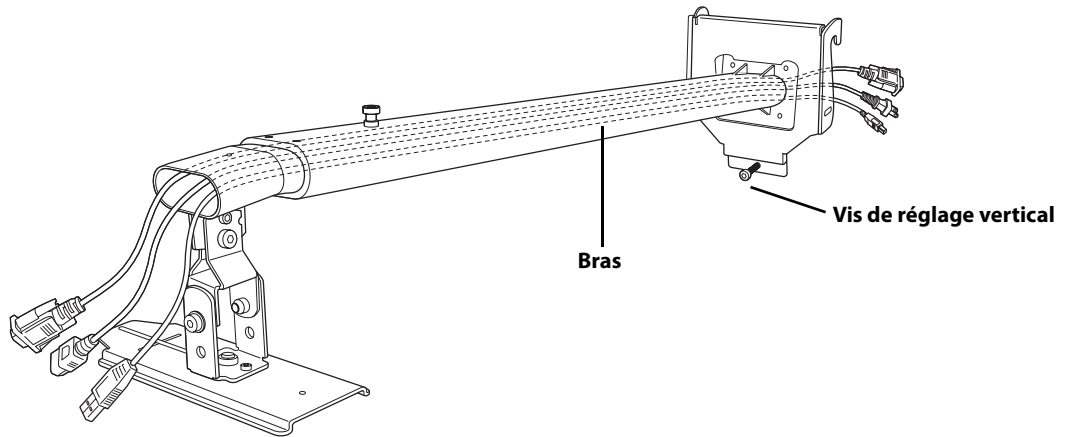


3. Passage des câbles à travers le bras

Faites passer le câble d'alimentation du projecteur et tout autre câble connecté au projecteur à travers le bras.



Assurez-vous également de faire passer tous les câbles de tout équipement additionnel (p. ex. : caméra de documents, haut-parleurs, etc.) que vous comptez utiliser ultérieurement. Sinon, chaque fois que vous devrez connecter un autre appareil, vous devrez retirer le projecteur du support de montage pour brancher les câbles additionnels.



Mise en garde

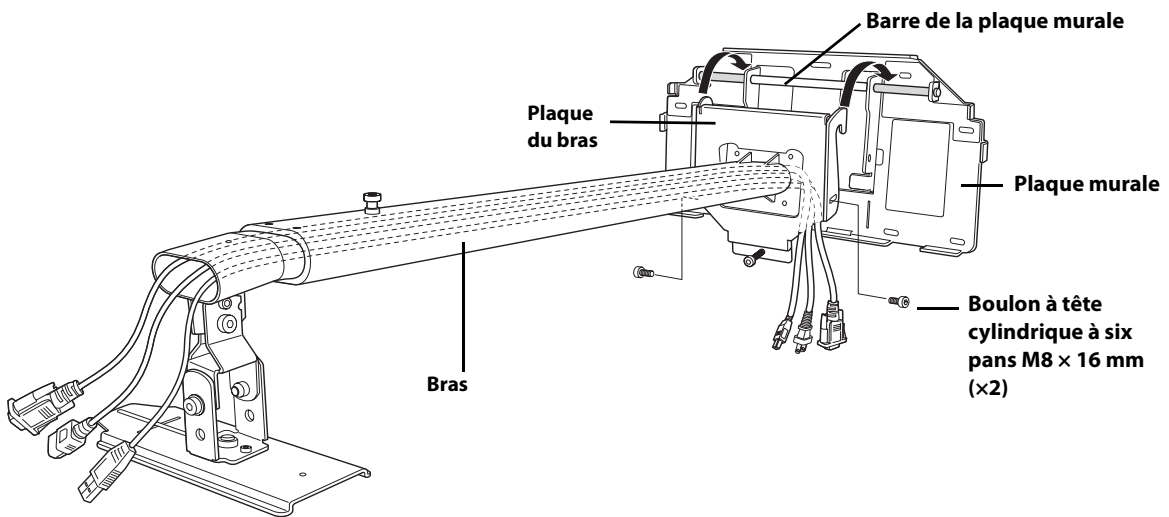
Des problèmes peuvent survenir si vous utilisez ce produit sans faire passer les câbles à l'intérieur du bras.



Faites passer le câble USB afin que le connecteur de type B sorte du côté du projecteur. Epson vous recommande d'étiqueter les câbles identiques afin que les connexions additionnelles puissent être identifiées plus aisément.

4. Fixation du support de montage au mur à la plaque murale

1. Fixez le crochet de la plaque du bras à la barre de la plaque murale.
2. Resserrez partiellement deux boulons à tête cylindrique à six pans M8 x 16 mm pour fixer la plaque du bras.

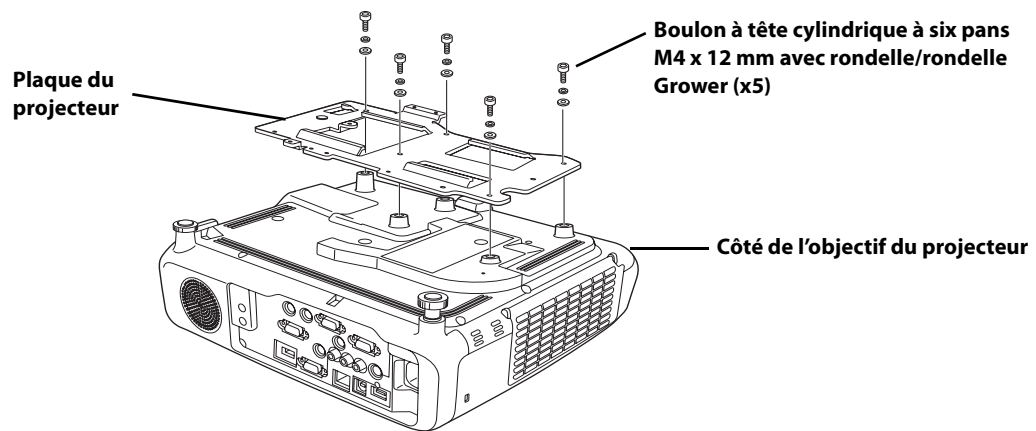


Mise en garde

Veillez à ne pas pincer les câbles entre le support de montage au mur et la plaque murale.

5. Fixation de la plaque du projecteur au projecteur

1. Placez le projecteur en position retournée.
2. Fixez la plaque du projecteur au projecteur à l'aide de la clé à six pans (M4) et de cinq boulons M4 x 12 mm avec des rondelles/rondelles Grower.



Avertissement

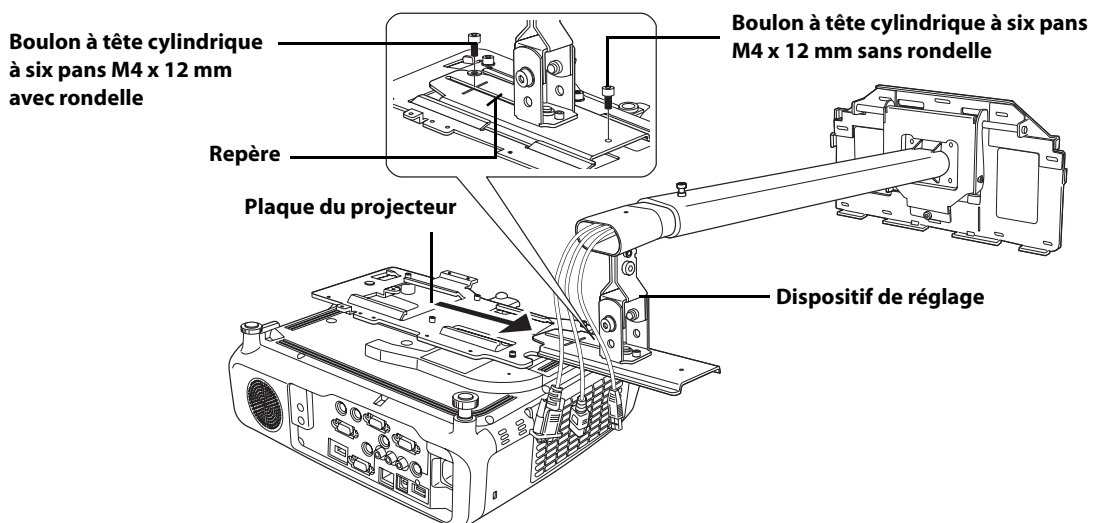
Lorsque vous installez ou ajustez le support de montage au mur, n'utilisez pas d'adhésifs pour empêcher les vis de se desserrer et n'utilisez pas de lubrifiants ou d'huiles sur la plaque coulissante du projecteur. Ces produits pourraient causer un bris du couvercle et provoquer la chute du projecteur, résultant ainsi en des blessures corporelles ou des dommages matériels.



Vissez fermement les vis.

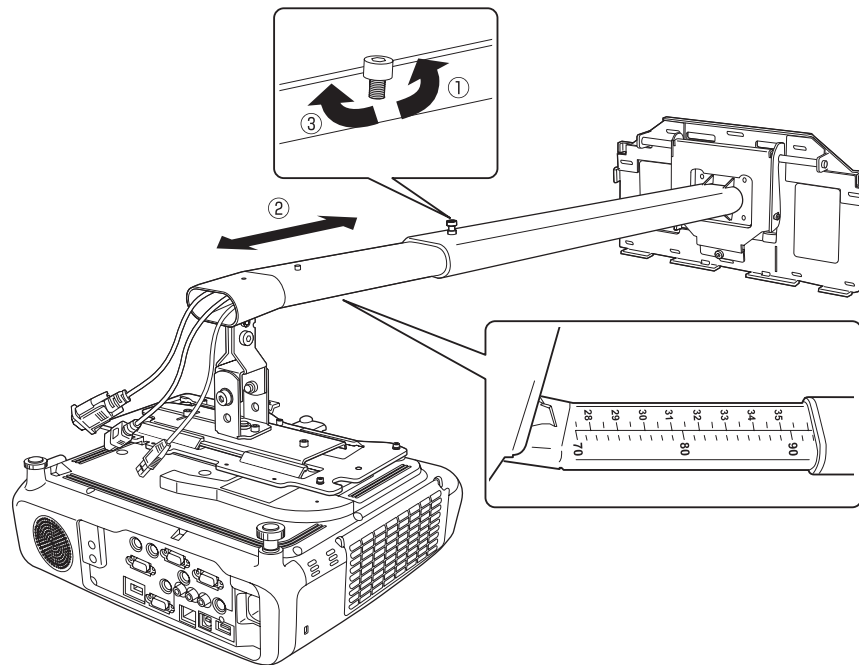
6. Fixation du projecteur au dispositif de réglage

1. Faites glisser la plaque du projecteur sur le dispositif de réglage comme indiqué ci-dessous.
2. Resserrez partiellement deux boulons M4 x 12 mm aux endroits marqués sur le dispositif de réglage comme illustré ci-dessous.



7. Ajustement de la longueur du bras

1. Desserrez la vis sur le bras (①).
2. Réglez la longueur du bras en utilisant les graduations figurant sur sa face inférieure pour obtenir une longueur correspondant à la distance de projection recommandée dans la section « Positionnement du projecteur » à la page 43 (②).
3. Après avoir réglé la longueur, fixez la position du bras provisoirement en serrant la vis située sur sa face supérieure (③).



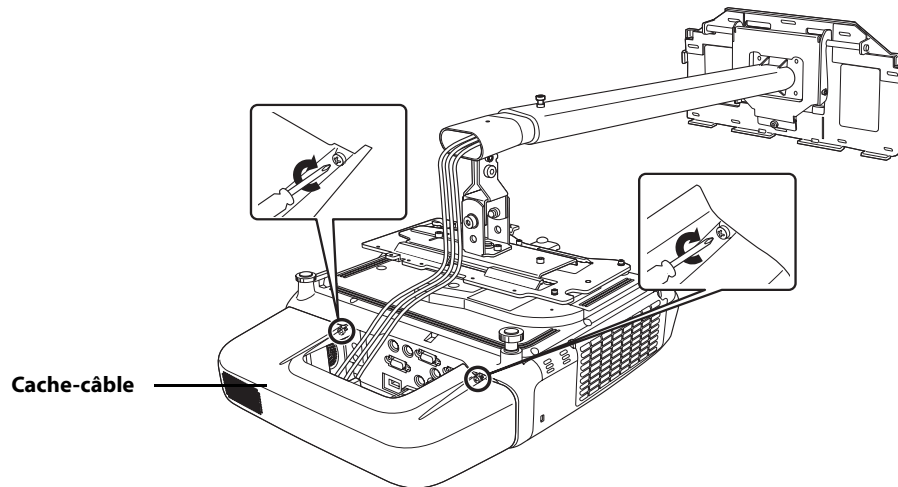
8. Branchez le câble d'alimentation et les autres câbles au projecteur

Branchez tous les câbles nécessaires, tels que le câble d'alimentation, le câble d'ordinateur, le câble HDMI, les câbles audio et le câble USB, au projecteur.

Si vous planifiez de faire passer les câbles à l'intérieur du mur, assurez-vous de suivre la réglementation électrique de votre région. Si vous faites passer les câbles à l'extérieur du mur, utilisez un système de gestion des câbles afin d'éviter que les câbles n'obstruent l'image. Un système de gestion des câbles est disponible en option chez Epson (numéro de pièce : ELPCK01).

9. Fixation du cache-câble au projecteur

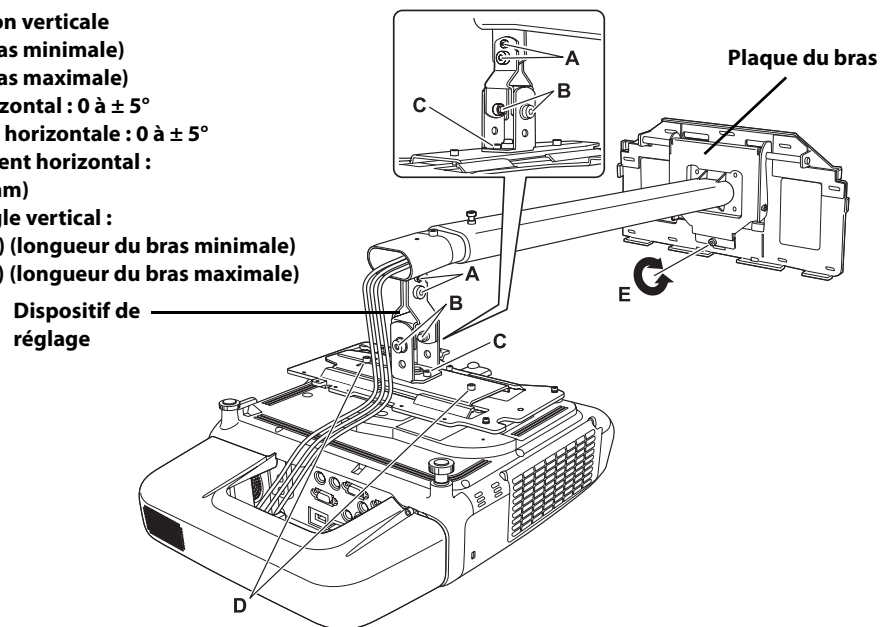
Ramassez le mou du câble et attachez-y le cache-câble, puis utilisez un tournevis cruciforme pour resserrer les vis (2) et fixer le cache-câble.



10. Mise sous tension du projecteur et vérification de l'image

1. Branchez le projecteur et allumez-le.
2. Maintenez le bouton **A/V Mute** sur la télécommande enfoncé pendant cinq secondes pour inverser l'image horizontalement.
3. Pour régler la position de l'image, desserrez les vis de l'unité de réglage (A, B, C et D) comme illustré ci-dessous.
4. Réglez l'angle vertical du bras à l'aide de la vis (E) située sur la face inférieure de la plaque du bras. Le bras monte quand vous serrez la vis, et descend quand vous la baissez.

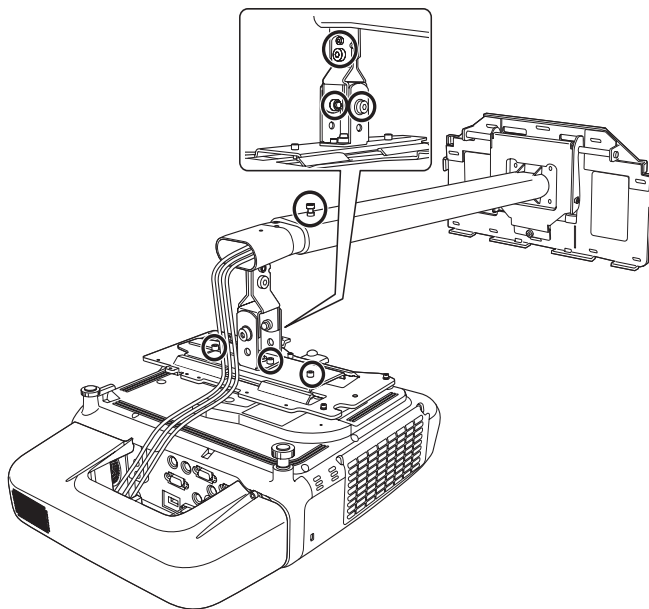
- A : Réglage de l'inclinaison verticale**
: -7 à 17° (longueur du bras minimale)
: -17 à 7° (longueur du bras maximale)
- B : Réglage du roulis horizontal : 0 à ± 5°**
- C : Réglage de la rotation horizontale : 0 à ± 5°**
- D : Réglage du coulissement horizontal :**
0 à ± 1,8 po (0 à ± 45 mm)
- E : Vis de réglage de l'angle vertical :**
0 à 5,3 po (0 à 134 mm) (longueur du bras minimale)
0 à 9,1 po (0 à 230 mm) (longueur du bras maximale)



5. Serrez fermement les vis sur le bras et le dispositif de réglage à l'aide des clés à six pans (M4 et M8).

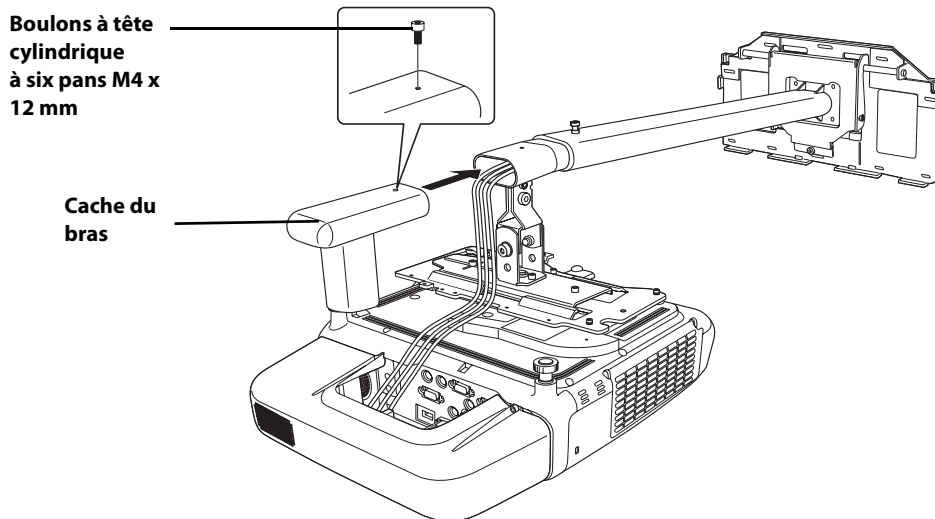
⚠ Avertissement

Serrez fermement toutes les vis. Si ces instructions ne sont pas respectées, le projecteur ou le support de montage au mur peuvent tomber et provoquer des blessures corporelles ou des dommages matériels.



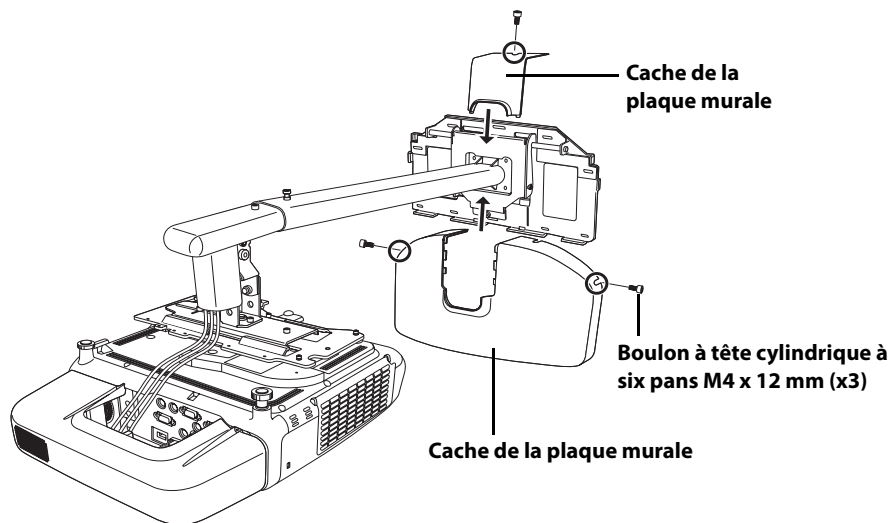
11. Fixation du cache de protection du bras

Fixez le cache de protection du bras avec une clé à six pans (M4) et un boulon à tête cylindrique à six pans M4 x 12 mm.



12. Fixation du cache de protection de la plaque murale

Fixez le cache de protection de la plaque murale avec une clé à six pans (M4) et trois boulons à tête cylindrique à six pans M4 x 12 mm.



Selon la façon dont les câbles sont raccordés, vous devrez peut-être découper des parties du cache de la plaque murale pour pouvoir passer les câbles à travers celui-ci.



Lors de la découpe de la section fine du cache de la plaque murale et du passage des câbles à travers celui-ci, assurez-vous de lisser les arêtes vives pour éviter d'endommager les câbles.

Veillez à manipuler la lame en toute sécurité.



Mise en garde

Seul un spécialiste devrait désinstaller ou réinstaller le projecteur et effectuer l'entretien et les réparations. Reportez-vous au *Guide de l'utilisateur* pour plus d'informations sur l'entretien et les réparations.



Avertissement

- Ne desserrez jamais les boulons et les écrous après l'installation. Vérifiez régulièrement que les vis ne se sont pas desserrées. Si vous trouvez des vis desserrées, resserrez-les fermement. Si ces instructions ne sont pas respectées, le projecteur ou le support de montage au mur peuvent tomber et provoquer des blessures corporelles ou des dommages matériels.**
- Ne suspendez aucun objet au support de montage au mur et ne posez aucun objet lourd sur celui-ci. La chute du projecteur ou du support de montage au mur pourrait provoquer des blessures ou des dommages matériels.**

Annexe

Utilisation de la fonction Easy Interactive (modèles BrightLink seulement)

Après avoir installé un modèle BrightLink, vous devrez effectuer une calibration pour aligner les positions du curseur et des crayons interactifs.

Afin d'utiliser le logiciel Easy Interactive Tools, vous devez d'abord installer le logiciel sur l'ordinateur. Les utilisateurs d'OS X doivent également installer un pilote qui permet au crayon de fonctionner. Les deux logiciels sont inclus avec le projecteur BrightLink ou peuvent être téléchargés depuis les sites suivants :

É.-U. : epson.com/support/brightlinkdownloads

Canada : epson.ca/support/brightlinkdownloads

Pour plus de détails sur la façon d'installer le logiciel et de calibrer les crayons, consultez le *Guide de l'utilisateur* en ligne.



Lorsque l'installation du projecteur est terminée, assurez-vous de laisser la télécommande, les piles et les CD des logiciels dans la pièce où se trouve le projecteur. Pour les modèles BrightLink, laissez également le crayon, les piles et le chargeur de piles dans la pièce où se trouve le projecteur. Les accessoires inclus avec le projecteur varient selon la modèle et la région.



412826200