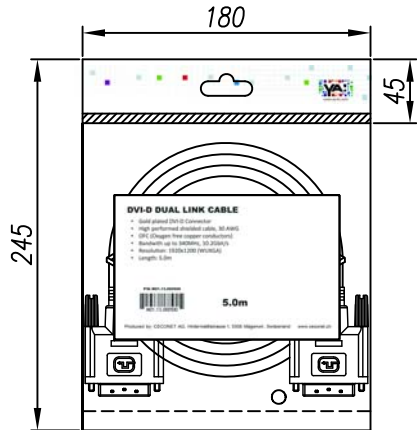


NOTES:

- MATERIAL
 - HDMI CABLE: (7/0.10BC*1P+7/0.10BC+AM)*7PCS+7/0.12BC*3C +7/0.12BC*1P+AM+7/0.12BC+128/0.12ALM+PVC BLACK JACKET
OD: $\phi 7.3 \pm 0.2$ mm
CABLE MARKING: VW-1 DVI CABLE 80° 30V
 - DVI(24+1) MALE TO MALE: BLACK INSULATION, GOLD PLATED CONTACTS
GOLD PLATED SHELL.
 - THUMB SCREW TO BE MOLDED BLACK PVC. NICKEL PLATED SCREW.
 - ALL HOOD: MOLDED BLACK PVC.
- ELECTRICAL
 - 100% OPEN AND SHORT TEST
 - CONDUCTOR RESISTANCE: 5 OHMS MAX
 - INSULATION RESISTANCE: 10 MEGOHMS MIN
 - HDTV-DVD TEST : 1080P
- ALL MATERIALS ARE REACH COMPLIANT.



140

DVI-D DUAL LINK CABLE

- Gold plated DVI-D Connector
- High performed shielded cable, 30 AWG
- OFC (Oxygen free copper conductors)
- Bandwith up to 340MHz, 10.2Gbit/s
- Resolution: 1920x1200 (WUXGA)
- Length: 5.0m

P/N: M01.13.000500

5.0m

Produced by: CECONET AG, Hintermättlistrasse 1, 5506 Mägenwil, Switzerland www.ceconet.ch

LABEL

TOLERANCE	SCALE	SHEEL	DRAWN BY	DATE
.X	1:1	1 OF 1	Peter	31/05/2017
.XX	REV.	A	CHECKED BY	DATE
ANGLES	MATERIAL	-	THIRD ANGLE PROJECTION	

DVI-D DUAL LINK CABLE
male to male, black, 5M

PART NO.	DWG NO.
M01.13.000500	-

