

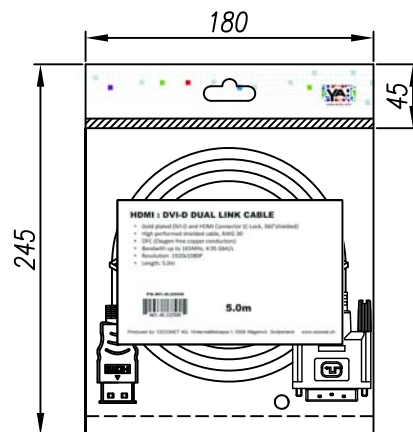
NOTES:

1. MATERIAL

- 1.1 CABLE: {[(7/0.10BC*1P+7/0.10BC+AM)*4PCS+7/0.10BC*1P +7/0.10BC*3C+AM+7/0.12BC+128/0.12ALM+BLACK PVC JACKET. OD: $\varnothing 6.0 \pm 0.2$ mm
- 1.2 HDMI 19PIN TYPE A MALE:BLACK INSULATION, GOLD PLATED CONTACTS , GOLD PLATED SHELL.
- 1.3 DVI (18+1) MALE:BLACK INSULATION, GOLD PLATED CONTACTS , GOLD PLATED SHELL.
- 1.4 ALL HOOD:MOLDED BLACK PVC.

2. ELECTRICAL

- 2.1 100% OPEN AND SHORT TEST.
- 2.2 CONDUCTOR RESISTANCE: 5 OHMS MAX.
- 2.3 INSULATION RESISTANCE: 10 MEGOHMS MIN.
- 2.4 HDTV-DVD TEST : 1080P
- 3. PACKAGING: A PC/PE-BAG PACKAGING.
- 4. ALL MATERIALS ARE ROHS COMPLIANT.



140

HDMI : DVI-D DUAL LINK CABLE

- Gold plated DVI-D and HDMI Connector (C-Lock, 360°shielded)
- High performed shielded cable, AWG 30
- OFC (Oxygen free copper conductors)
- Bandwith up to 165MHz, 4.95 Gbit/s
- Resolution: 1920x1080P
- Length: 5.0m

P/N: M01.40.220500

5.0m

Produced by: CECONET AG, Hintermättlistrasse 1, 5506 Mägenwil, Switzerland www.ceconet.ch

LABEL

TOLERANCE	SCALE	SHEEL	DRAWN BY	DATE
.X	1 : 1	1 OF 1	Peter	13/04/2017
.XX	REV.	A	CHECKED BY	DATE
ANGLES	MATERIAL	-	THIRD ANGLE PROJECTION	

HDMI : DVI-D DUAL LINK CABLE
 male to male, black, 5M, C-Lock

PART NO.	DWG NO.
M01.40.220500	-

