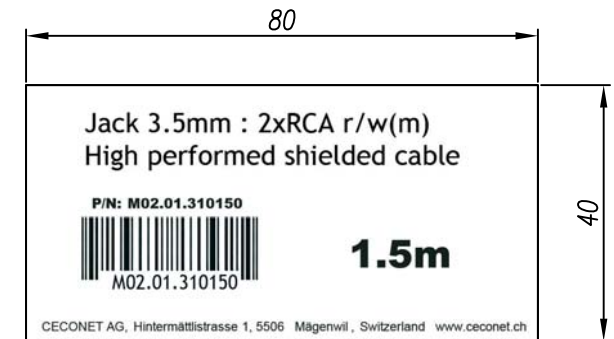
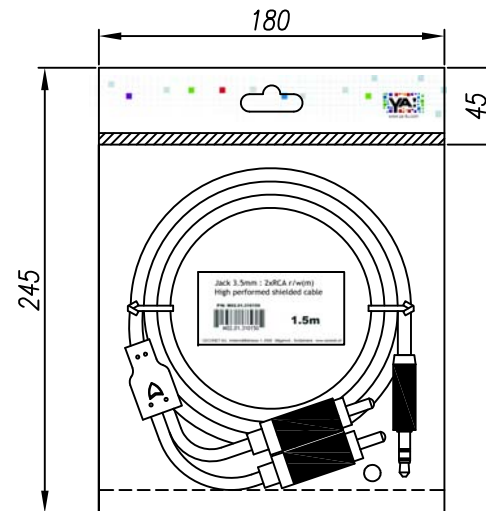


NOTES:

1. TESTING: 100% OPEN AND SHORT AND MISWIRE TEST.
2. CONDUCTION RESISTANCE: 5 OHM MAX
3. INSULATION RESISTANCE: 10 OHM MAX
4. WITHSTAND VOLTAGE: 300V
5. 100% RoHS COMPLIANT.



LABEL

TOLERANCE	SCALE	SHEET	DRAWN BY	DATE	<p>JACK 3.5mm to 2x RCA, cable male to male, 1.5M</p>	
.X	1 : 1	1 OF 1	Peter	12/05/2017		
.XX	REV.	A	CHECKED BY	DATE		
ANGLES	MATERIAL	-	THIRD ANGLE PROJECTION			
			PART NO.	DWG NO.	M02.01.310150	-