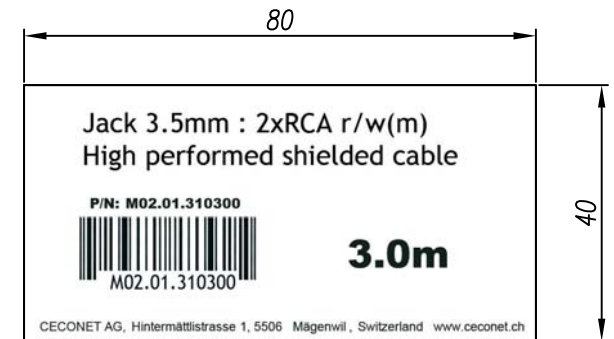
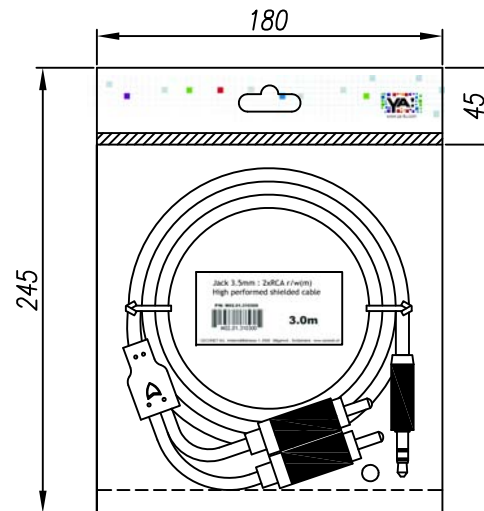


NOTES:

1. TESTING: 100% OPEN AND SHORT AND MISWIRE TEST.
2. CONDUCTION RESISTANCE: 5 OHM MAX
3. INSULATION RESISTANCE: 10 OHM MAX
4. WITHSTAND VOLTAGE: 300V
5. 100% RoHS COMPLIANT.



LABEL

TOLERANCE	SCALE	SHEET	DRAWN BY	DATE
.X	1:1	1 OF 1	Peter	12/05/2017
.XX	REV.		CHECKED BY	DATE
ANGLES	A			
	MATERIAL		THIRD ANGLE PROJECTION	
	-			

JACK 3.5mm to 2x RCA, cable male to male, 3M

PART NO.	DWG NO.
M02.01.310300	-

