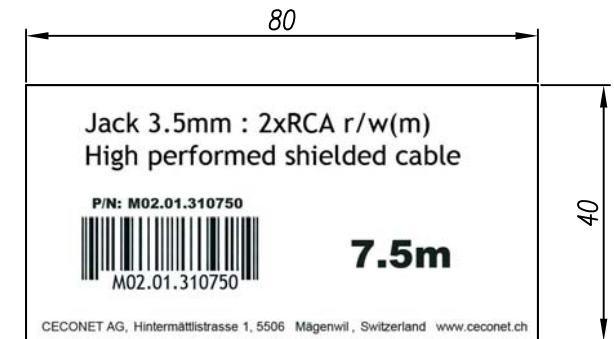
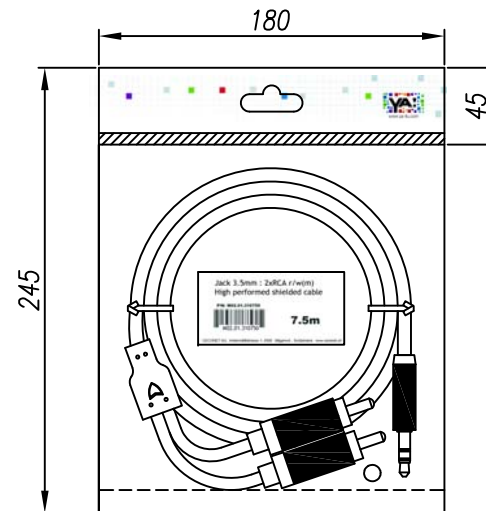


NOTES:

1. TESTING: 100% OPEN AND SHORT AND MISWIRE TEST.
2. CONDUCTION RESISTANCE: 5 OHM MAX
3. INSULATION RESISTANCE: 10 OHM MAX
4. WITHSTAND VOLTAGE: 300V
5. 100% RoHS COMPLIANT.



LABEL

TOLERANCE		SCALE	SHEET	DRAWN BY	DATE	JACK 3.5mm to 2x RCA, cable male to male, 7.5M	
.X		1 : 1	1 OF 1	Peter	12/05/2017		
.XX		REV.		CHECKED BY	DATE		
ANGLES		A					
		MATERIAL		THIRD ANGLE PROJECTION		PART NO.	DWG NO.
		-				M02.01.310750	-