

NOTES:

1. MATERIAL

1.1 CABLE: (7/0.1BC*1P+7/0.1BC+AM)*5PCS+7/0.12BC*4C+AM+7/0.12BC+128/0.12ALM+PVC7.3+BLACK PVC JACKET.
 OD: $\varnothing 7.3 \pm 0.2$ mm

1.2 DP MALE: GOLD PLATED CONTACTS, GOLD PLATED SHELL

1.3 ALL HOOD: MOLDED BLACK PVC.

2. ELECTRICAL

2.1 100% OPEN AND SHORT TEST.

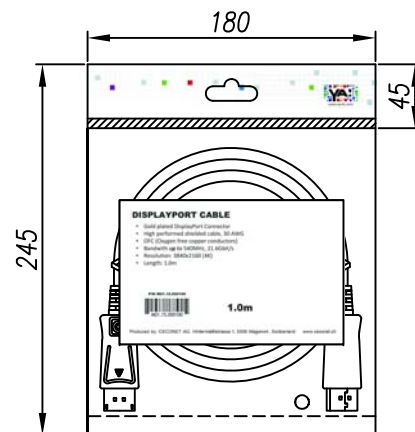
2.2 CONDUCTOR RESISTANCE: 10 OHMS MAX.

2.3 INSULATION RESISTANCE: 10 MEGOHMS MIN*

2.4 HDTV-DVD TEST : 4K

3. PACKAGING: A PC/PE-BAG.

4. ALL MATERIALS ARE RoHS COMPLIANT.



140

DISPLAYPORT CABLE

- Gold plated DisplayPort Connector
- High performed shielded cable, 30 AWG
- OFC (Oxygen free copper conductors)
- Bandwith up to 540MHz, 21.6Gbit/s
- Resolution: 3840x2160 (4K)
- Length: 1.0m

P/N: M01.15.000100

1.0m

Produced by: CECONET AG, Hintermättlistrasse 1, 5506 Mägenwil, Switzerland www.ceconet.ch

LABEL

| | | | | |
|-----------|----------|--------|------------------------|------------|
| TOLERANCE | SCALE | SHEEL | DRAWN BY | DATE |
| .X | 1:1 | 1 OF 1 | Peter | 06/03/2018 |
| .XX | REV. | A | CHECKED BY | DATE |
| ANGLES | MATERIAL | - | THIRD ANGLE PROJECTION | |

DISPLAYPORT CABLE
 male to male, black, 1M

| | |
|---------------|---------|
| PART NO. | DWG NO. |
| M01.15.000100 | - |

