

**NOTES:**

**1. MATERIAL**

1.1 CABLE: (7/0.1BC\*1P+7/0.1BC+AM)\*5PCS+7/0.12BC\*4C+AM+7/0.12BC+128/0.12ALM+PVC7.3+BLACK PVC JACKET.  
 OD:  $\varnothing 7.3 \pm 0.2$  mm

1.2 DP MALE: GOLD PLATED CONTACTS, GOLD PLATED SHELL

1.3 ALL HOOD: MOLDED BLACK PVC.

**2. ELECTRICAL**

2.1 100% OPEN AND SHORT TEST.

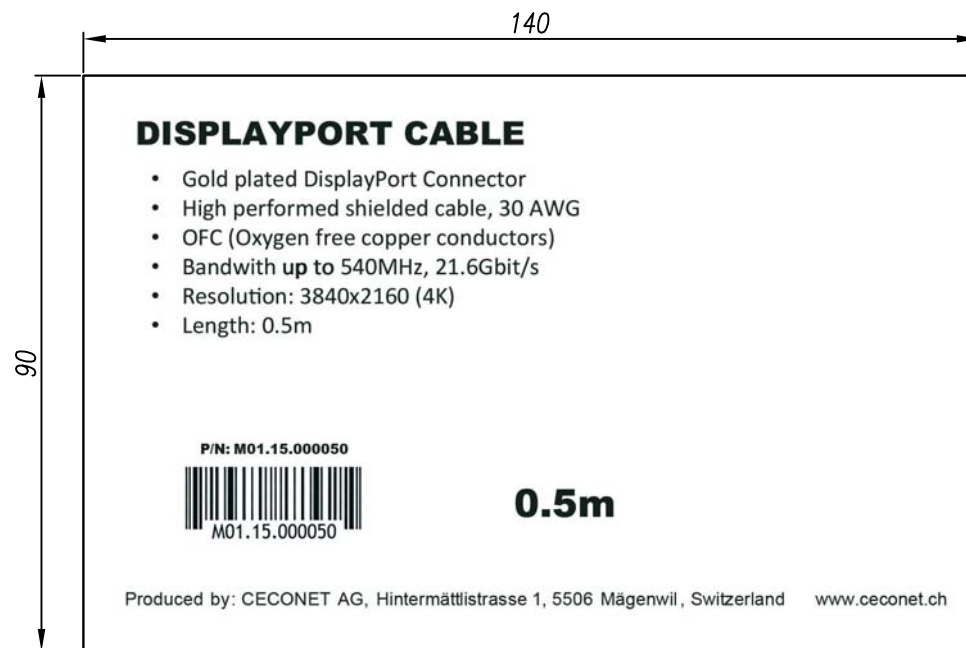
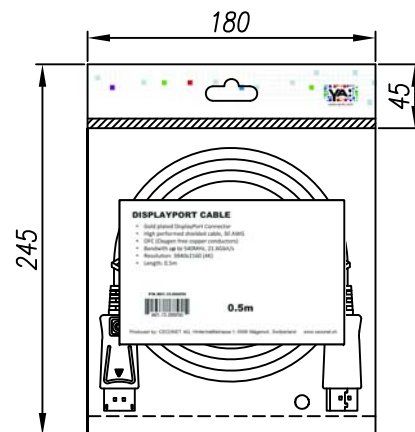
2.2 CONDUCTOR RESISTANCE: 10 OHMS MAX.

2.3 INSULATION RESISTANCE: 10 MEGOHMS MIN\*

2.4 HDTV-DVD TEST : 4K

**3. PACKAGING: A PC/PE-BAG.**

4. ALL MATERIALS ARE RoHS COMPLIANT.



LABEL

TOLERANCE	SCALE	SHEEL	DRAWN BY	DATE
.X	1:1	1 OF 1	Peter	06/03/2018
.XX	REV.		CHECKED BY	DATE
ANGLES	A			
	MATERIAL		THIRD ANGLE PROJECTION	
	-			

<b>DISPLAYPORT CABLE</b>	
male to male, black, 0.5M	
PART NO.	DWG NO.
M01.15.000050	-

