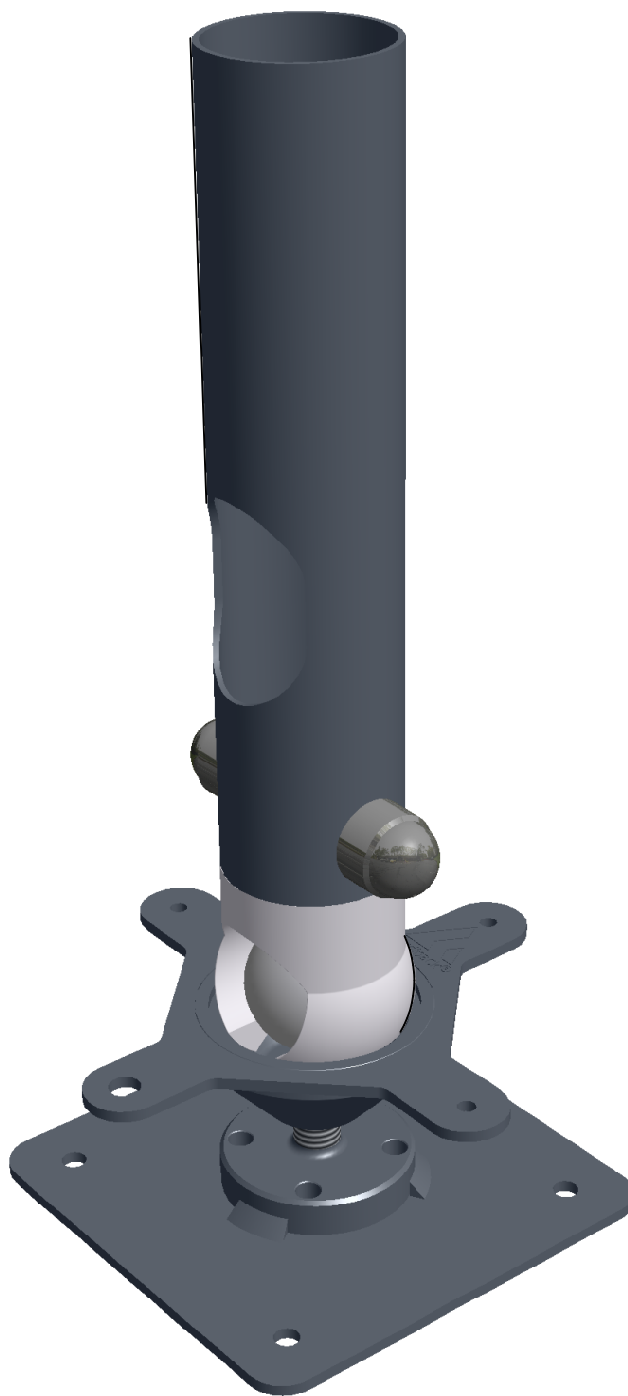


AUDIPACK®

AUDIPACK  
Industriestraat 2-4  
2751 GT Moerkapelle  
the Netherlands

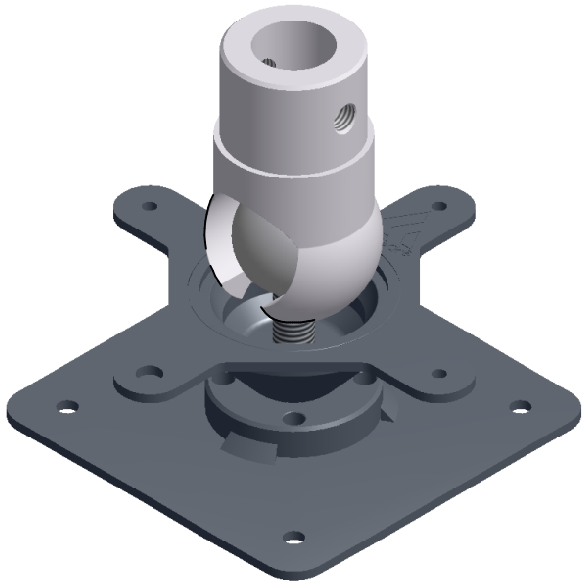
Tel: +31(0)795931671  
Fax: +31(0)795933115  
Email: [audipack@audipack.com](mailto:audipack@audipack.com)  
[www.audipack.com](http://www.audipack.com)



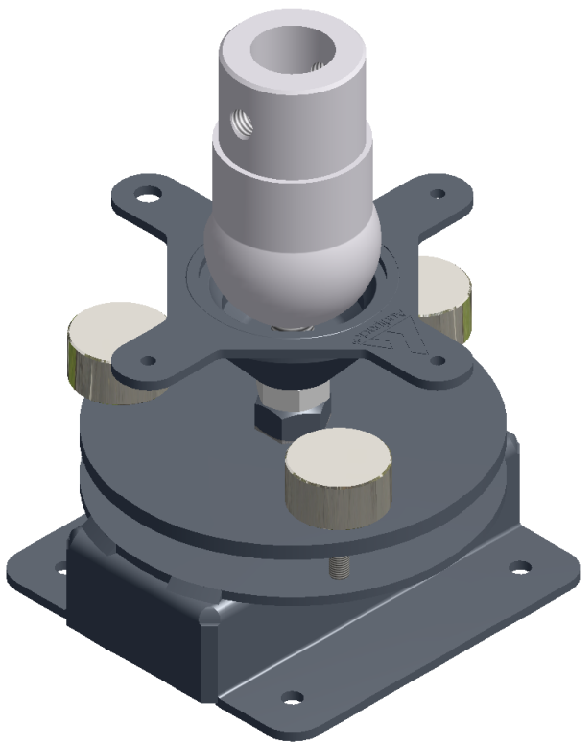
## Quick Release Series

Mounting instructions  
Montagevoorschrift  
Instructions de montage  
Montageanleitung

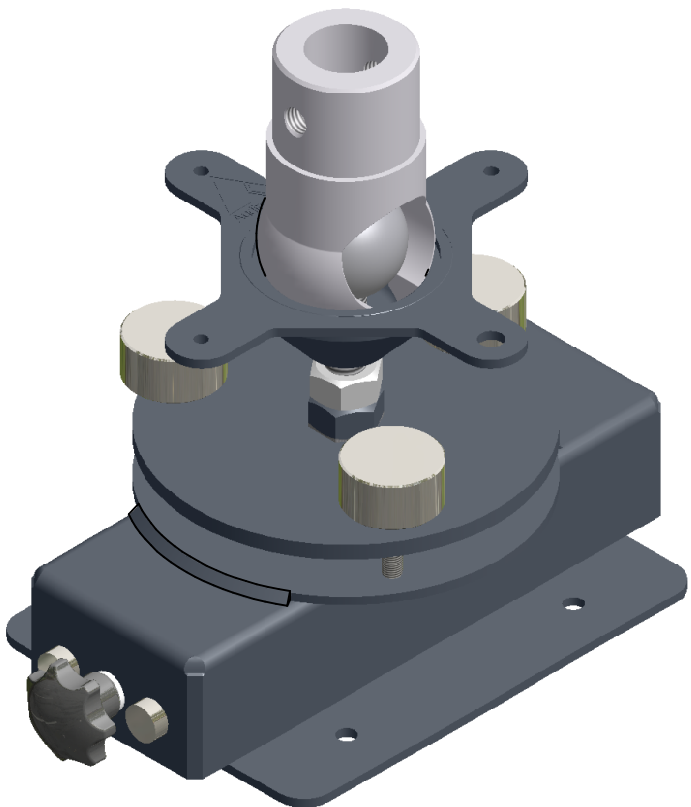
# 1. Quick Release models



Quick Release



Quick Release Plus  
with fine tuning



Quick Release Plus+  
with fine tuning  
and lateral shift

## Warning

Do not use a hammer to tighten the ball joint.

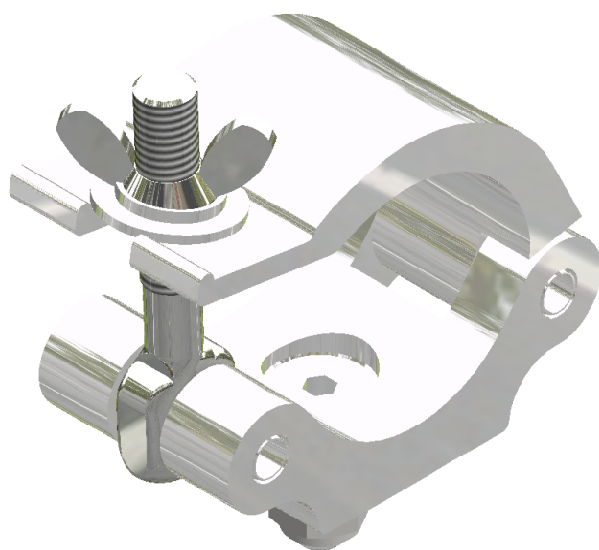
Always secure the set with a safety cable when used in trusses.

Do not exceed the maximum load of the ball joint. Refer to the diagram for the allowed load.

Always use in combination with Audipack projector mounts and easy mount.

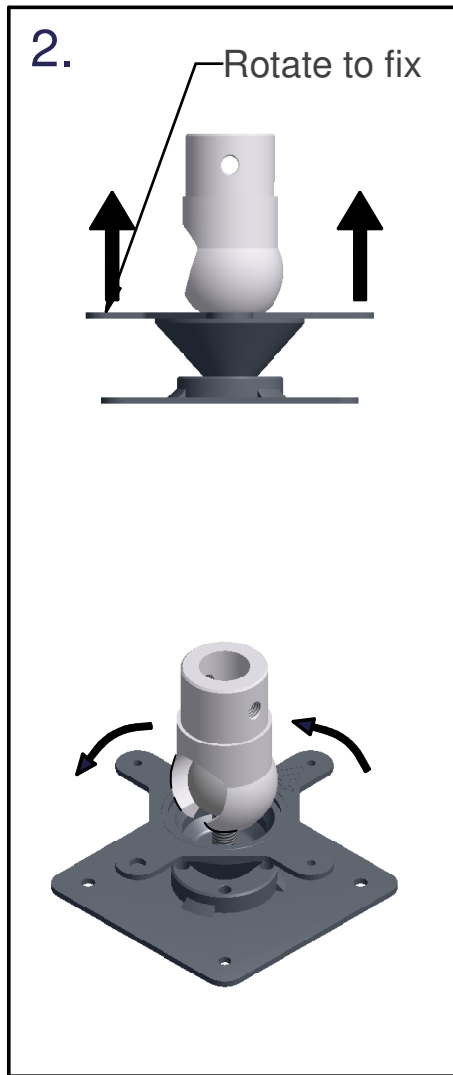
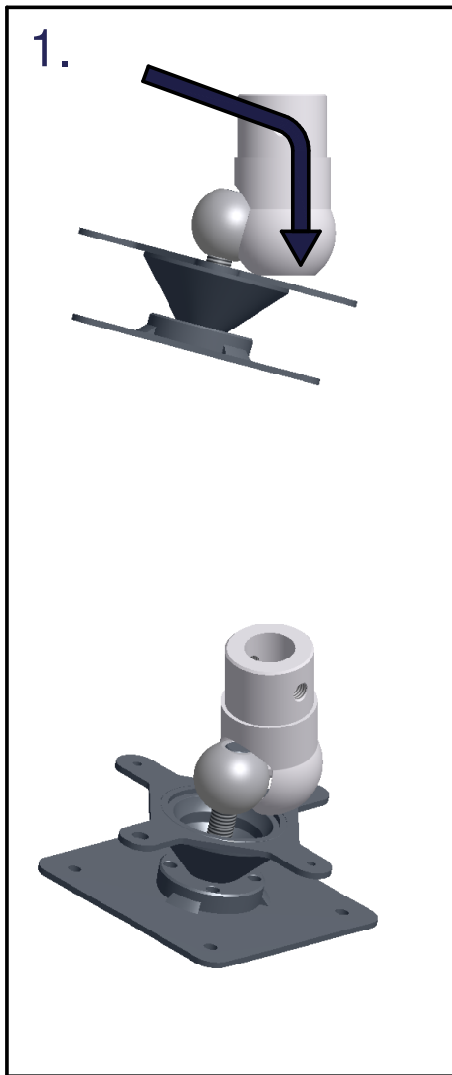
Always use the ball joints with Audipack HW tube set components. For more details see our website.

## Information

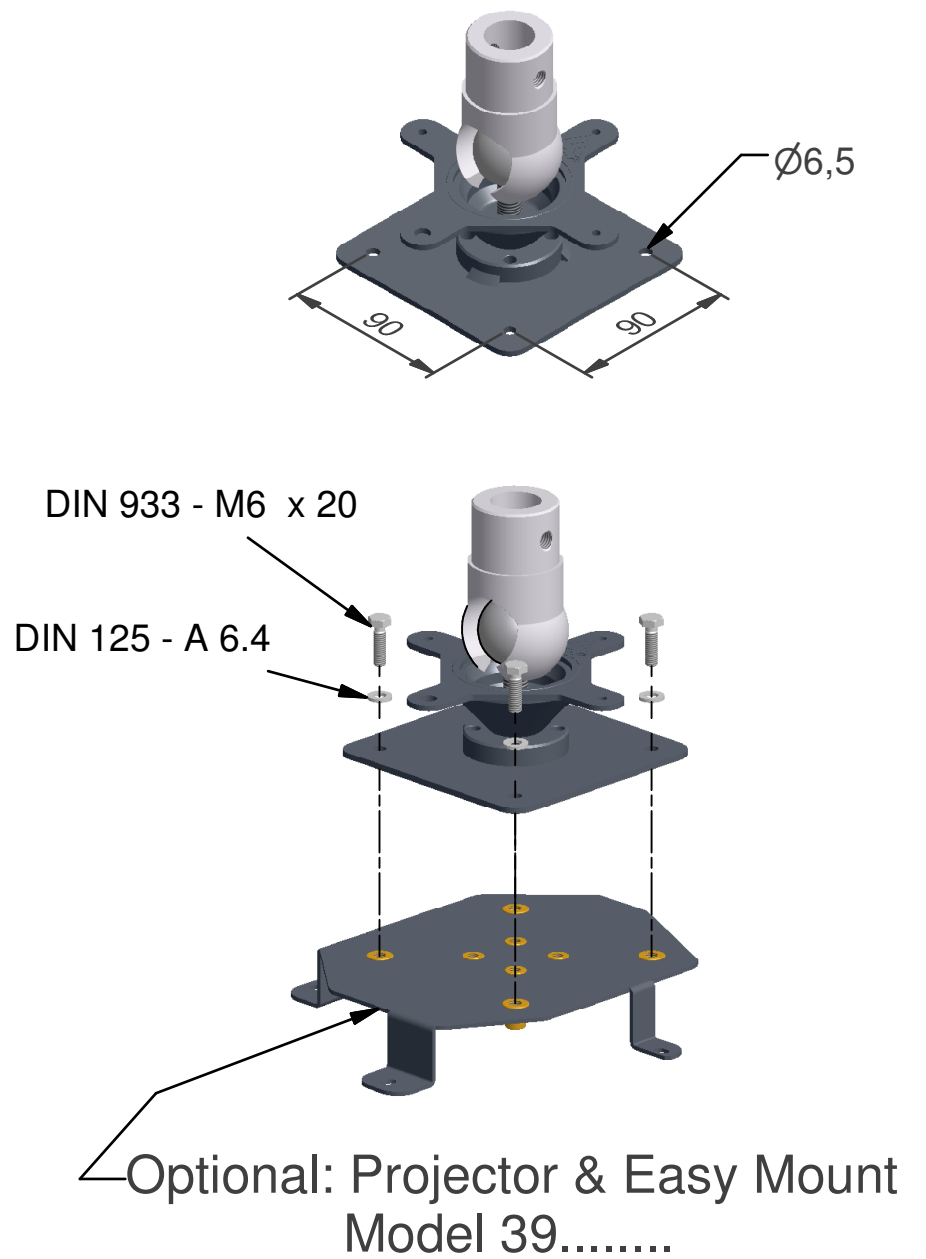


The tube set's 392161, 392165, 392361, 392367, 392661, 392665 can be mounted to trusses when used in combination with 2 pieces of the 260140 truss clamps

## 2. Quick Release general function



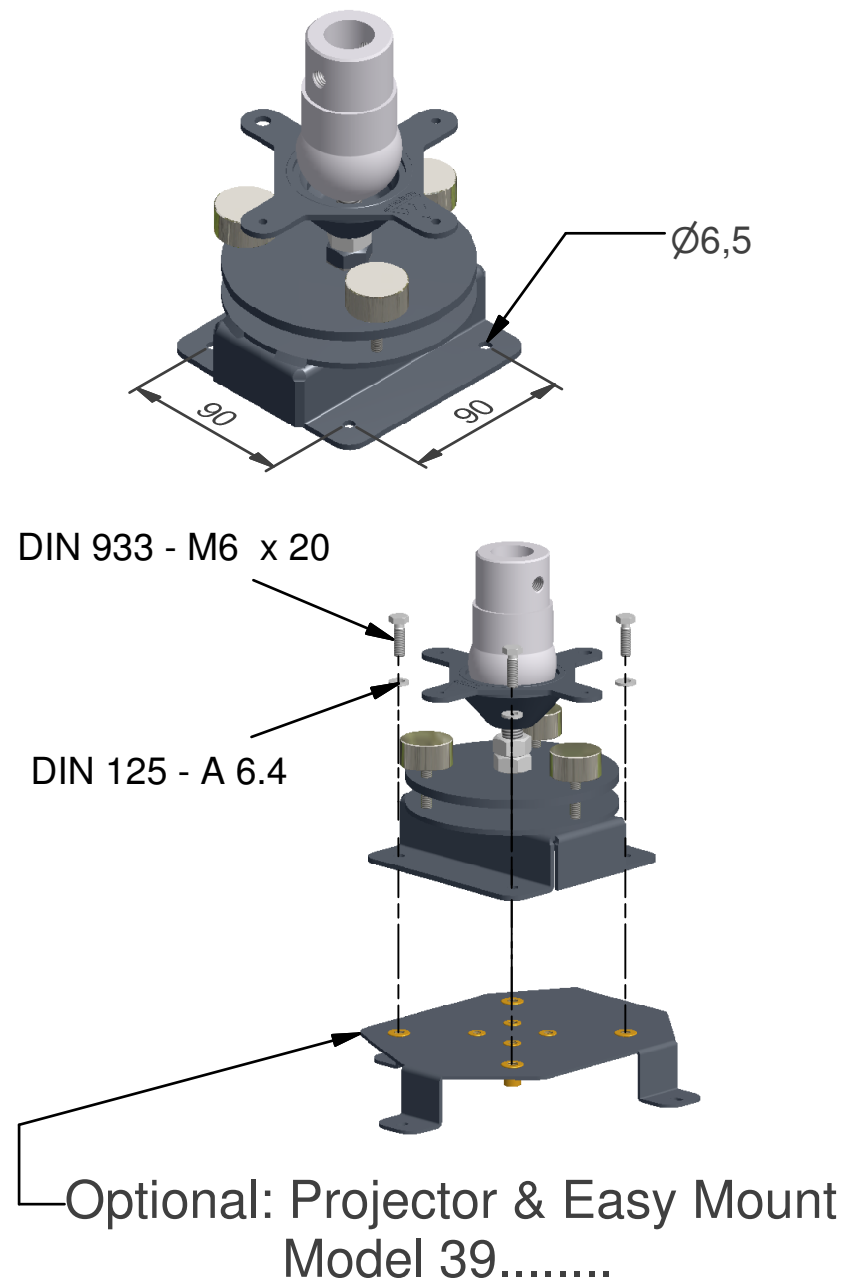
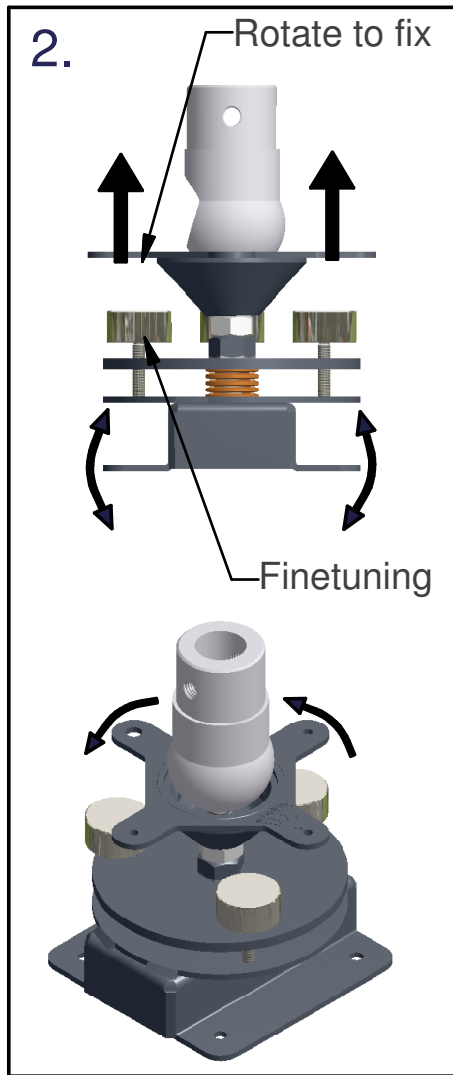
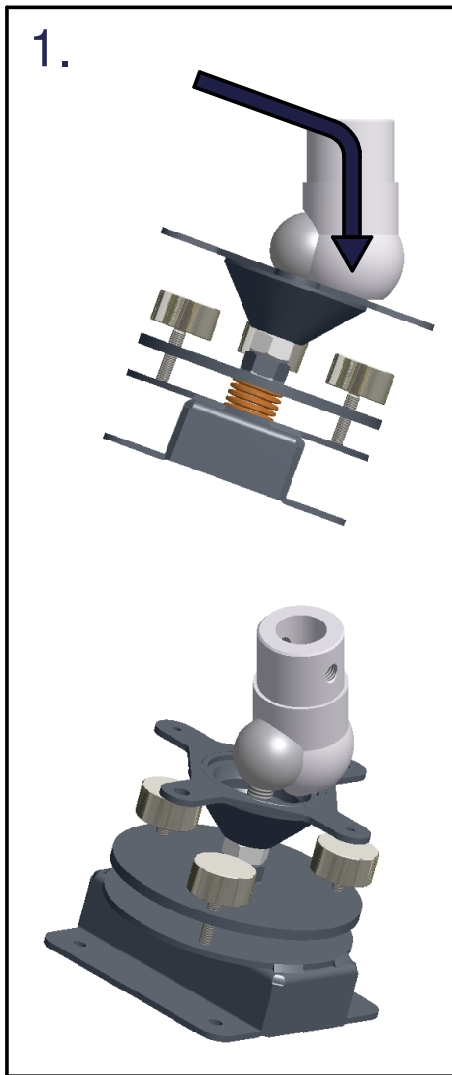
Maximum Load: 20-50 kg  
Refer to load diagram (page 5)



## Quick release models

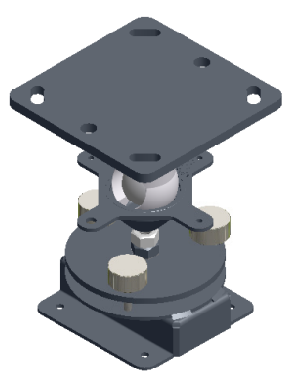
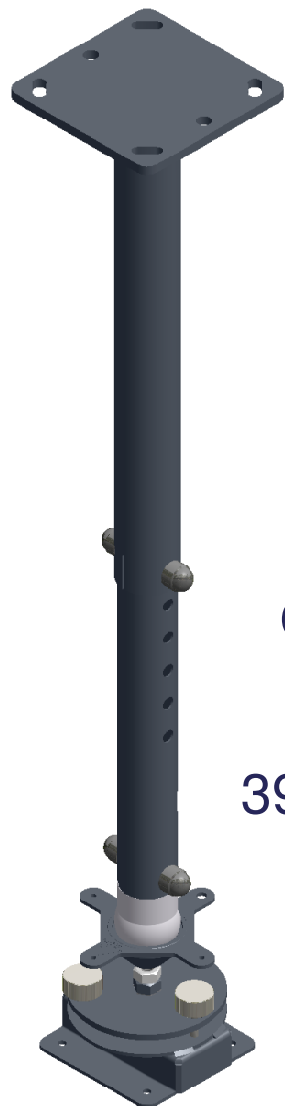


# 3. Quick Release PLUS with fine tuning



Maximum Load: 15-45 kg  
Refer to load diagram (page 5)

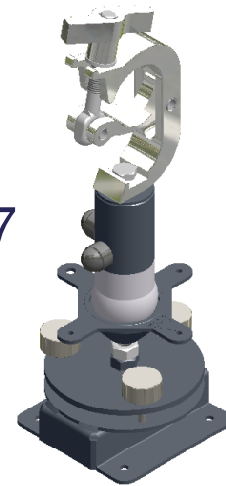
## Quick release PLUS models



392365

Ceiling mount

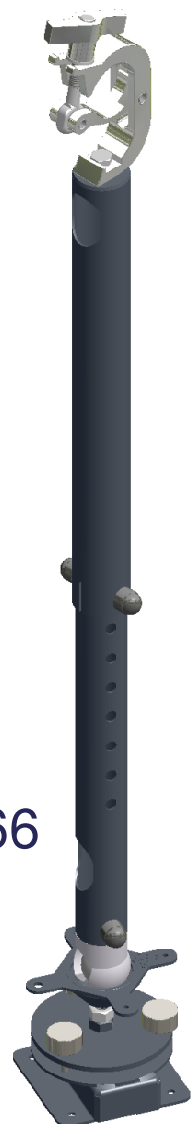
392361



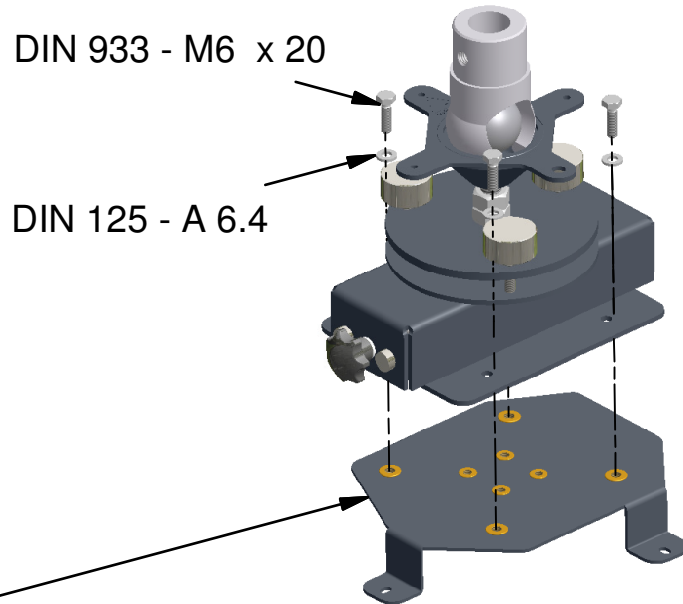
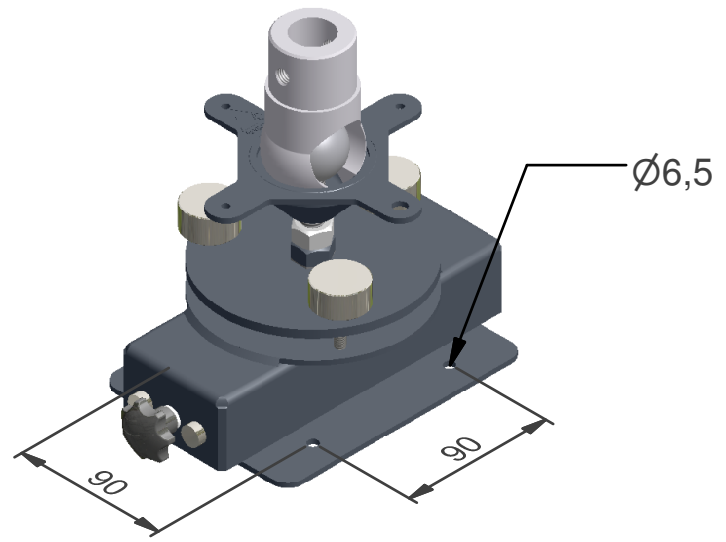
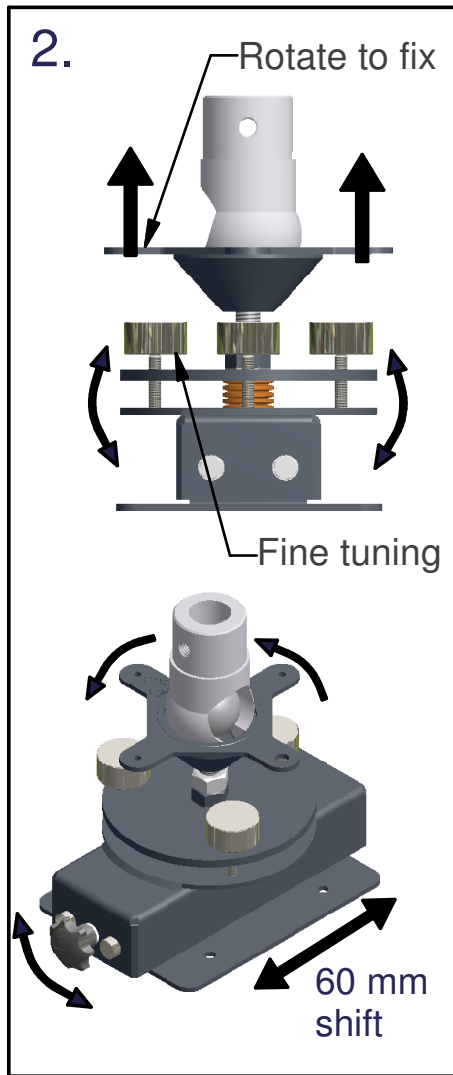
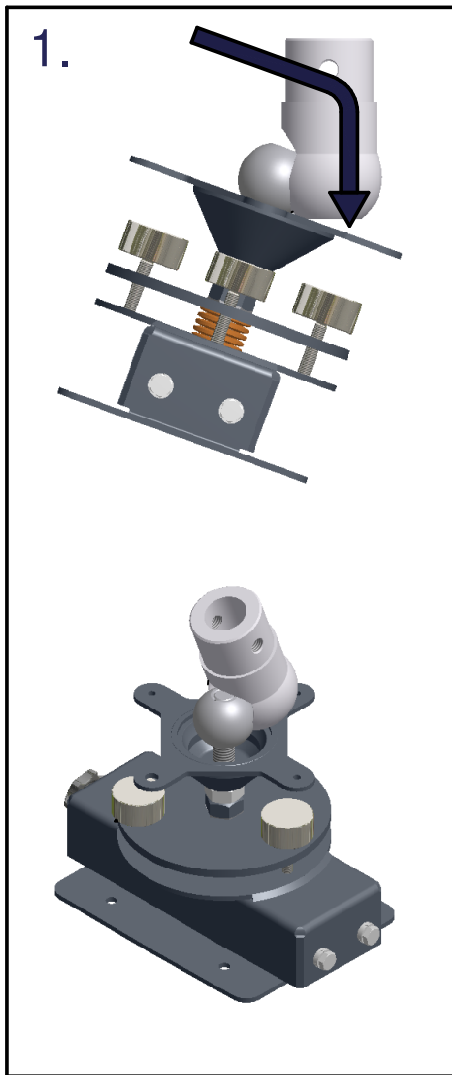
392367

Truss mount

392366



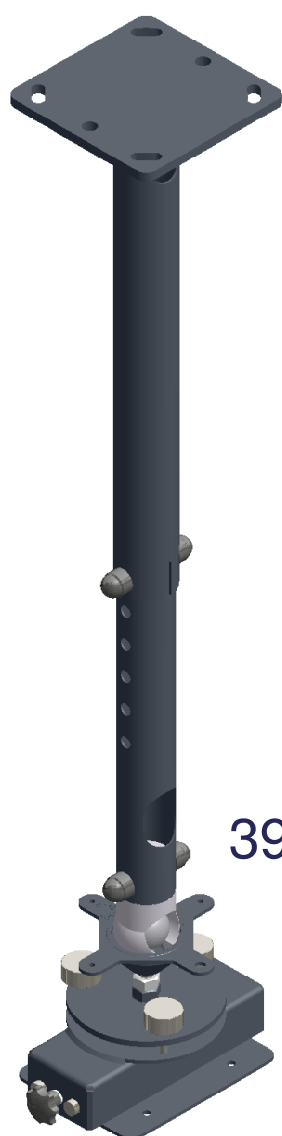
# 4. Quick Release PLUS+ fine tuning & lateral shift



Maximum Load: 15-45 kg  
Refer to load diagram (page 5)

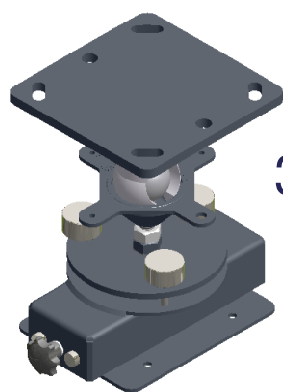
Optional: Projector & Easy Mount  
Model 39.....

## Quick release PLUS+ models



392661

Ceiling mount



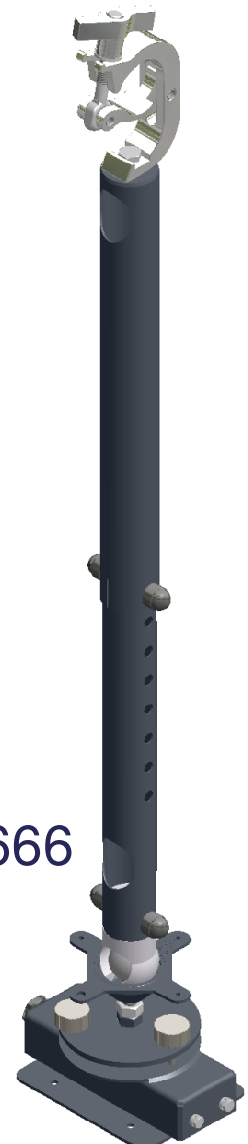
392665



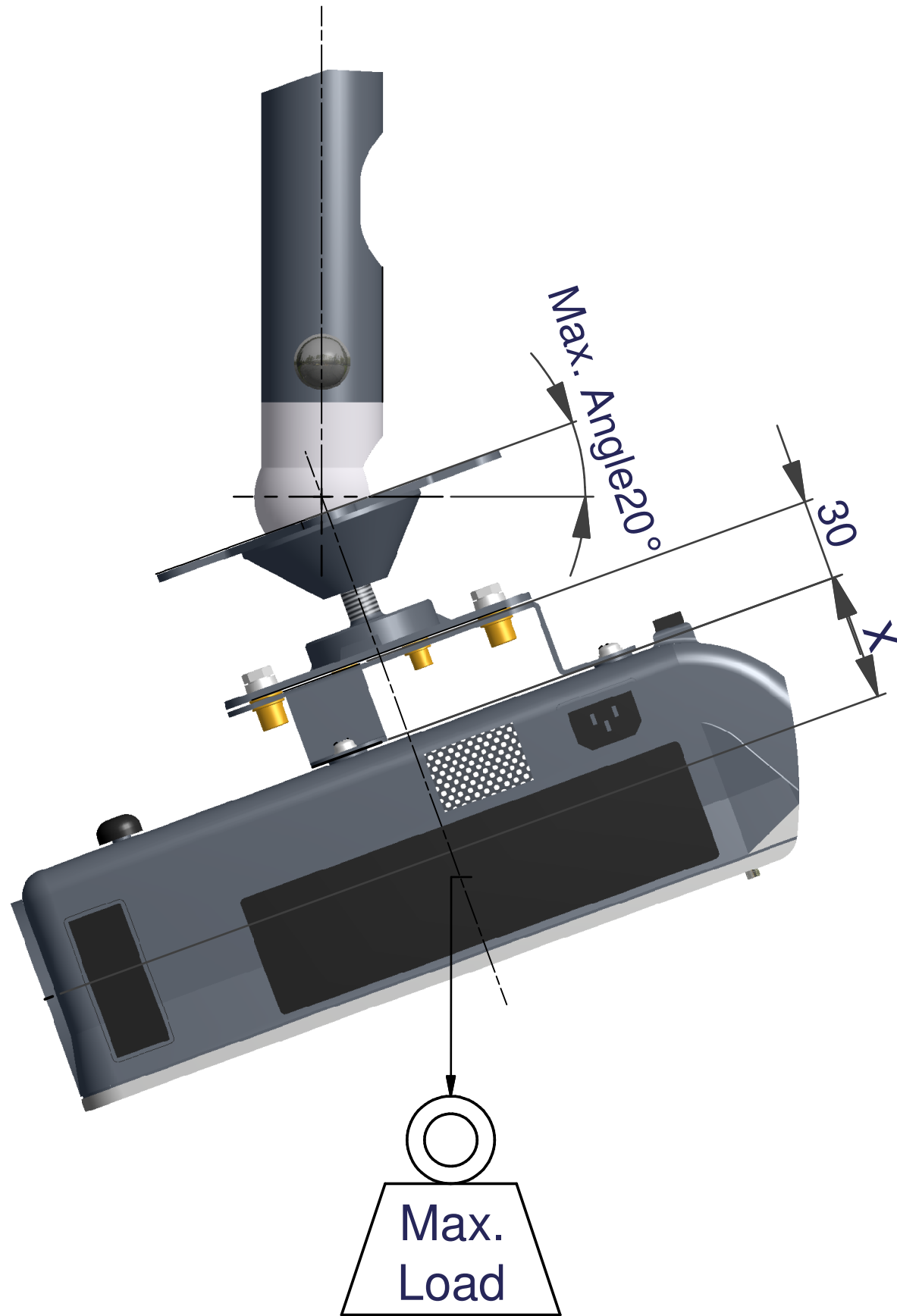
392667

Truss mount

392666



## 5. Maximum Load Diagram



### Maximum LOAD at max angle 20°

X	QR	QR+	QR plus+
50 mm	50 Kg	45 Kg	45 Kg
75 mm	40 Kg	35 Kg	35 Kg
100 mm	30 Kg	25 Kg	25 Kg
125 mm	20 Kg	15 Kg	15 Kg

Audipack's general conditions of sales and delivery apply to all of Audipack's deliveries. These conditions can be downloaded from Audipack's website, [www.audipack.com](http://www.audipack.com), or will be sent by post on request.

Audipack liefert ausschließlich unter die allgemeine Verkauf- und Lieferungsbedingungen von Audipack.

Diese Bedingungen sind zum downloaden verfügbar auf die Webseite von Audipack, [www.audipack.com](http://www.audipack.com), oder werden Ihnen auf Anfrage per Post gesendet.

Alle leveringen geschieden uitsluitend volgens de Algemene Verkoop- en Leveringsvoorwaarden van Audipack.

Een afschrift hiervan kunt u downloaden van de website van Audipack, [www.audipack.com](http://www.audipack.com), of wordt u op aanvraag gestuurd per post.

Les conditions de vente et de livraison de Audipack s'appliquent à tous les livraisons de Audipack. Cettes conditions sont disponible sur le site internet de Audipack, [www.audipack.com](http://www.audipack.com), où seront envoyé par poste sur demande.

Audipack reserves the right to make changes in specifications and other information contained in this document without prior written notice. The information provided herein is subject to change without notice. In no event shall Audipack be liable for any incidental, special, indirect, or consequential damages whatsoever, including but not limited to lost profits, arising out of or related to this manual or the information contained herein, even if Audipack has been advised of, known, or should have known, the possibility of such damages.



AUDIPACK  
Industriestraat 2-4  
2751 GT Moerkapelle  
the Netherlands

Tel: +31(0)795931671  
Fax: +31(0)795933115  
Email: [audipack@audipack.com](mailto:audipack@audipack.com)

[www.audipack.com](http://www.audipack.com)