

**Universal medium flat panel bracket. Suitable for quick and safe installing to floor stands, wall-and ceiling mounts.**

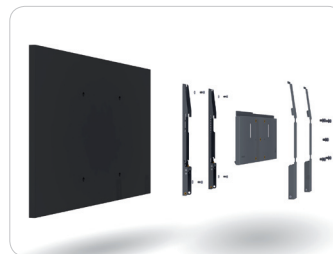
**Max mounting range in mm.: W670 x H446**

The ideal non-brand related product for rental and staging applications in the professional AV.

The Uniflatfix Pro flat panel brackets are designed to enhance the flexibility of the Audipack L&S concept. The Uniflatfix Pro is the perfect adjustable interface between the flat panel and the Audipack flat panel accessories.

Unlike brand related Audipack flat panel brackets which have been designed to fit exactly onto a specific brand and type of flat panel, the Uniflatfix Pro flat panel brackets are adjustable to fit varying mounting points.

- ▲ **Universal mounting interface**
- ▲ **Suitable for any brand and type of screen**
- ▲ **Quick installation onto any Audipack product**
- ▲ **Lockable**



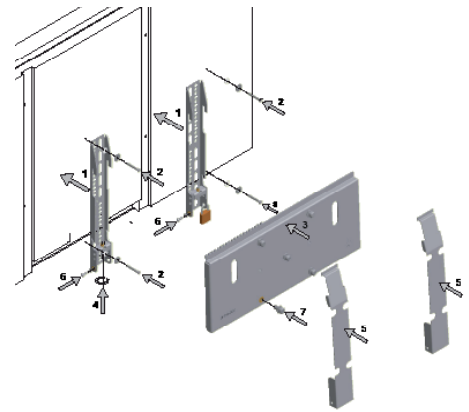
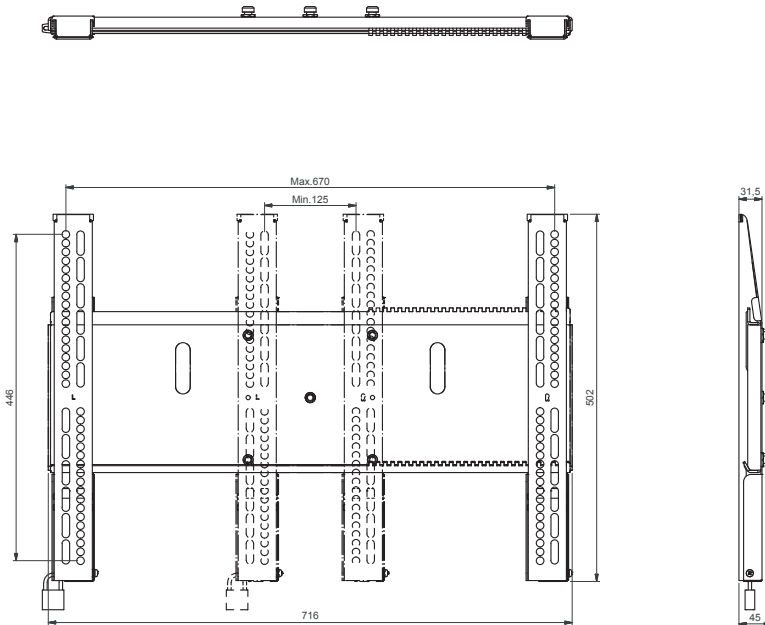


# Audipack®

It's great to have solutions...

# FACT SHEET

## UFPRO-0700B



### Technical specifications

Dimensions in mm.	W716 x D32 x H502
Max. mounting range in mm.	W670 x H446
Min. mounting range in mm.	W125
Max. load	85 Kg
Standard colours:	Black RAL 9005
Screen positioning	Landscape and portrait
Suitable for	Any brand and type of screen
Applicable on	All audipack products with L&S3/5
	Wall mounts
	Wall arms
	Ceiling mounts
	Ceiling to floor solutions
	Truss mounts
	Floor stands
	Video wall systems
	Lift systems
	Housings
	Etc.

### Optional

- Lock for protect the screen against theft, 230052(numeric)
- Wrench for line-out the mounting cams, P2408

### Related products

- UFPRO-0500, Max mounting range: W470 x H360 mm
- UFPRO-0800, Max mounting range: W810 x H446 mm
- UFPRO-0801, Max mounting range: W810 x H671 mm
- UFPRO-V400, Mounting range: VESA 100, 200, 300 and 400