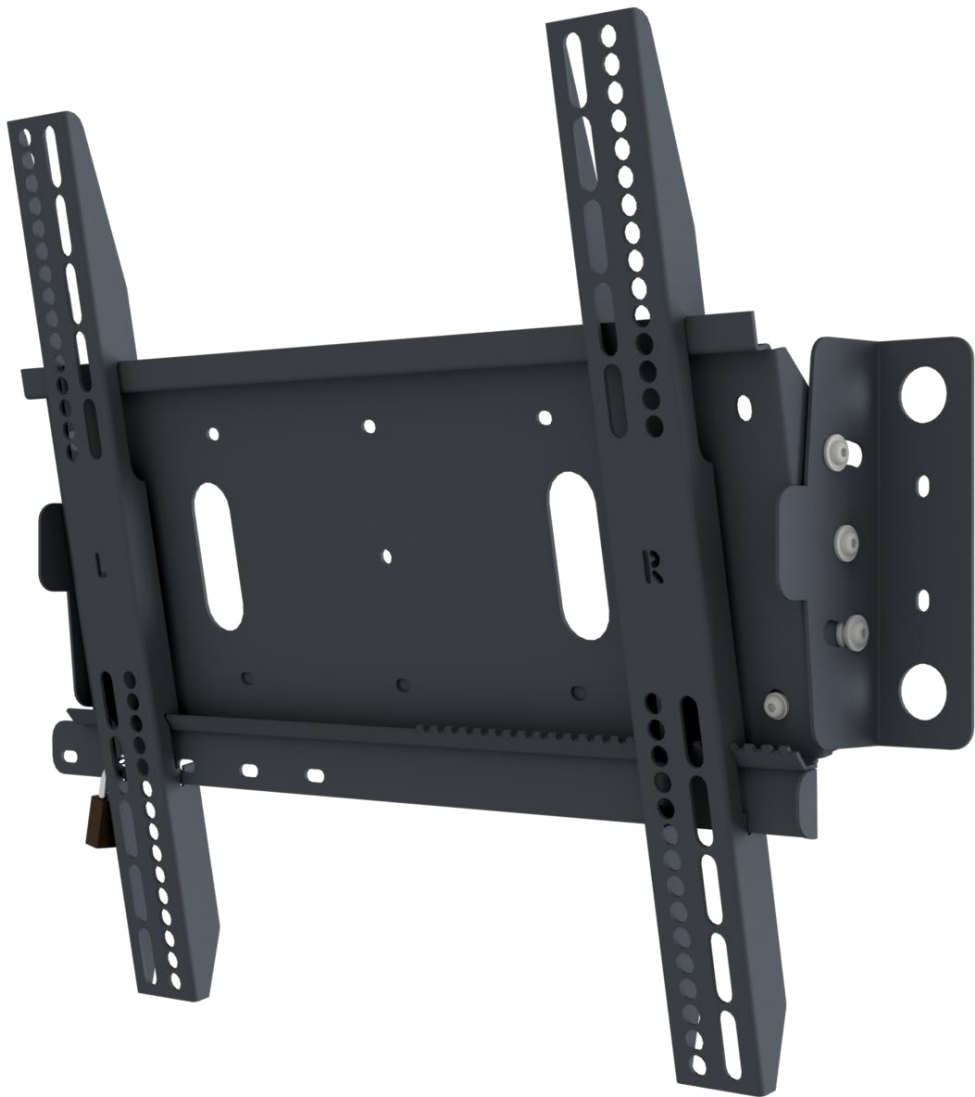


FLAT PANEL WALL MOUNT SCHERM WAND MONTAGE

Installation manual
Montage handleiding

FWM-V400EC

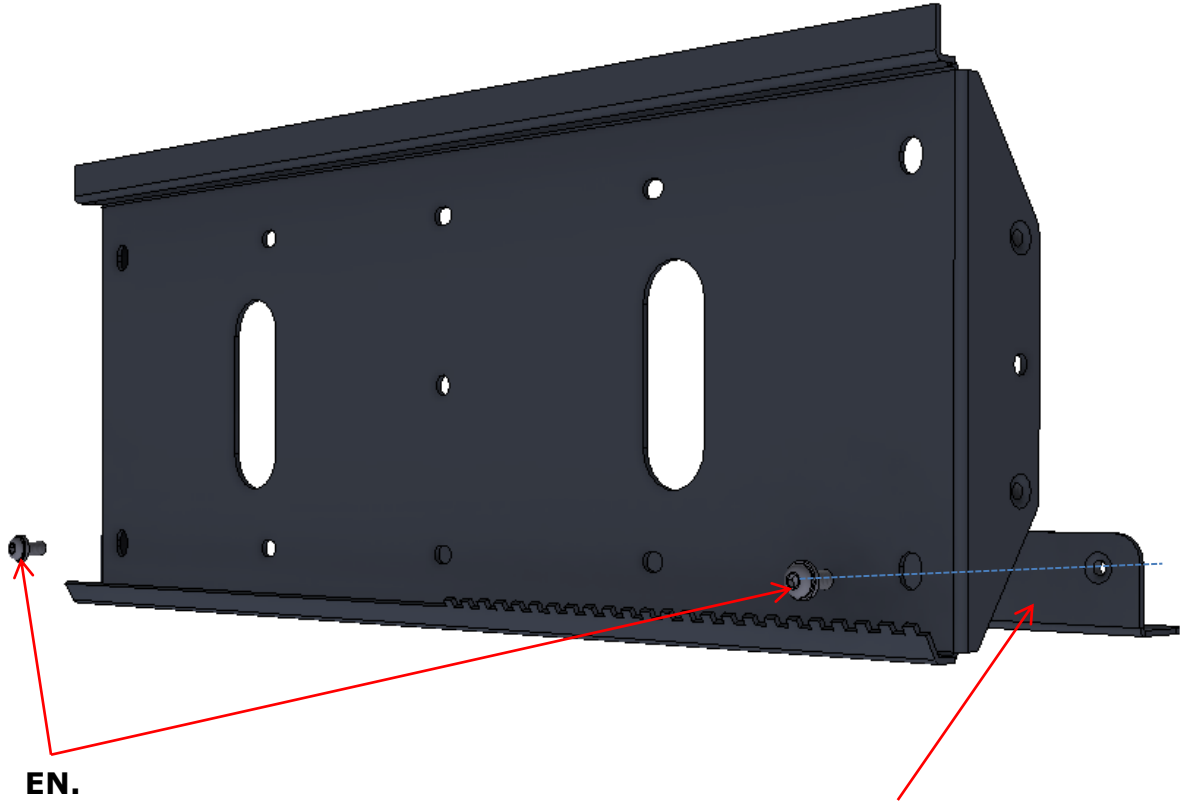


EN.

Mount the Equipment Cabinet bottom.

NL.

Monteer de bodem.



EN.

2X

2X

M6x12

M6

Bolt
Washer

Bottom

NL.

2X

2X

M6x12

M6

Bout
Sluitring

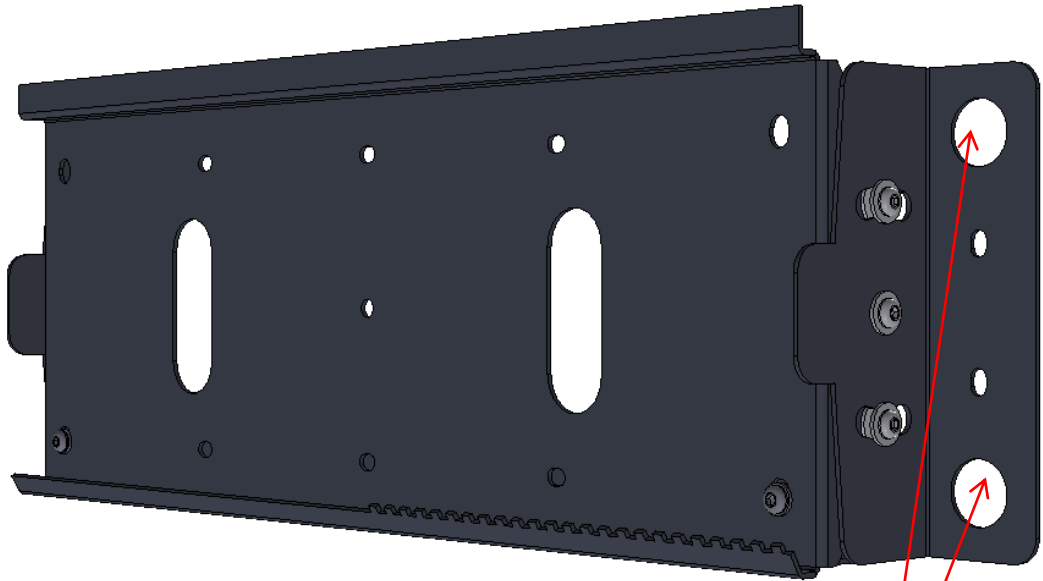
Bodem

EN.

Mount onto the wall.

NL.

Monteer tegen de wand.



EN.

Optional; use 4X 633326 for wall mounting.

NL.

Optioneel; gebruik 4X 633326 voor wand montage.

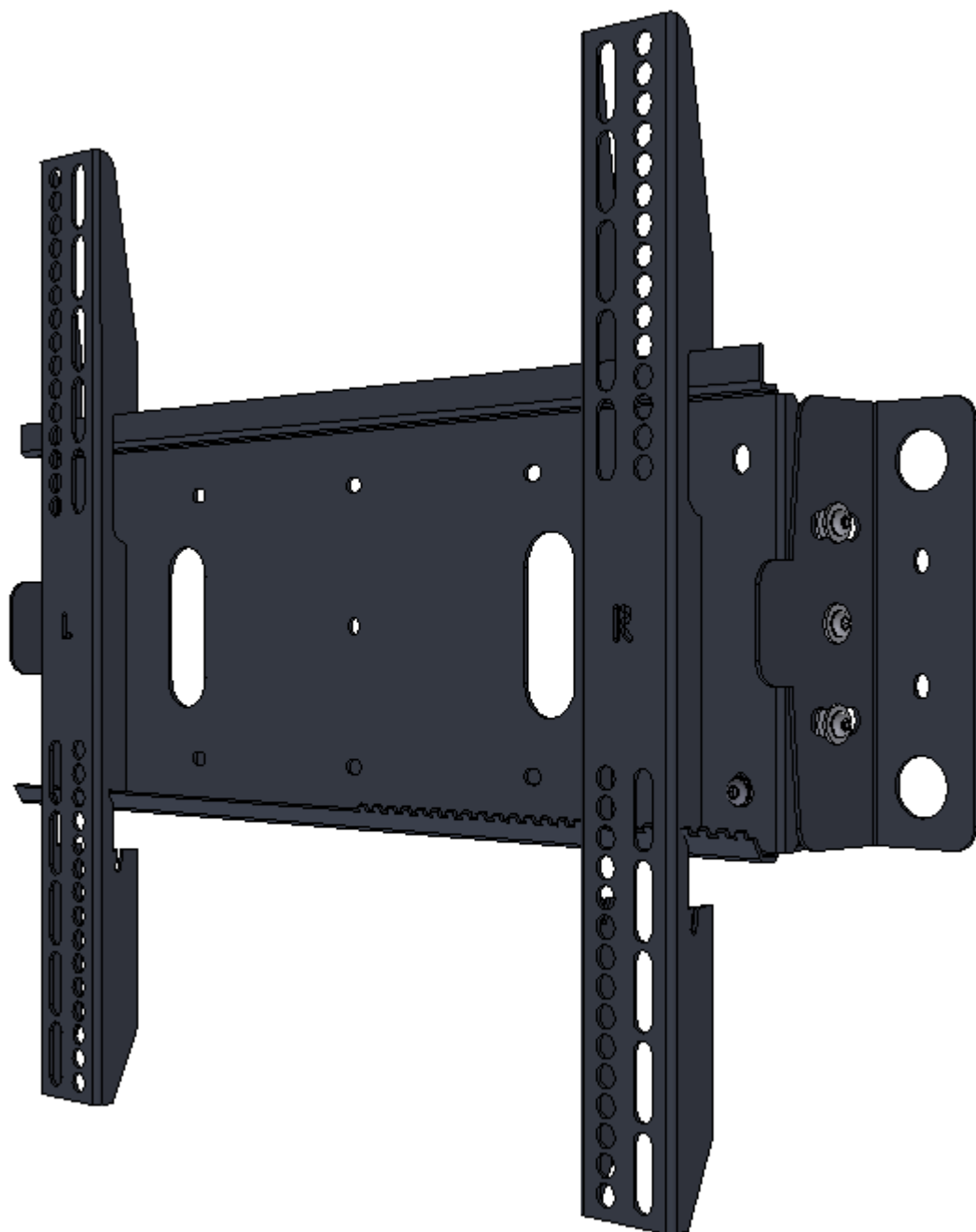


EN.

Mount arms on the Flat panel and place Flat panel with arms on the bracket.

NL.

Monteer de armen aan het scherm en hang het scherm met armen aan de bracket.

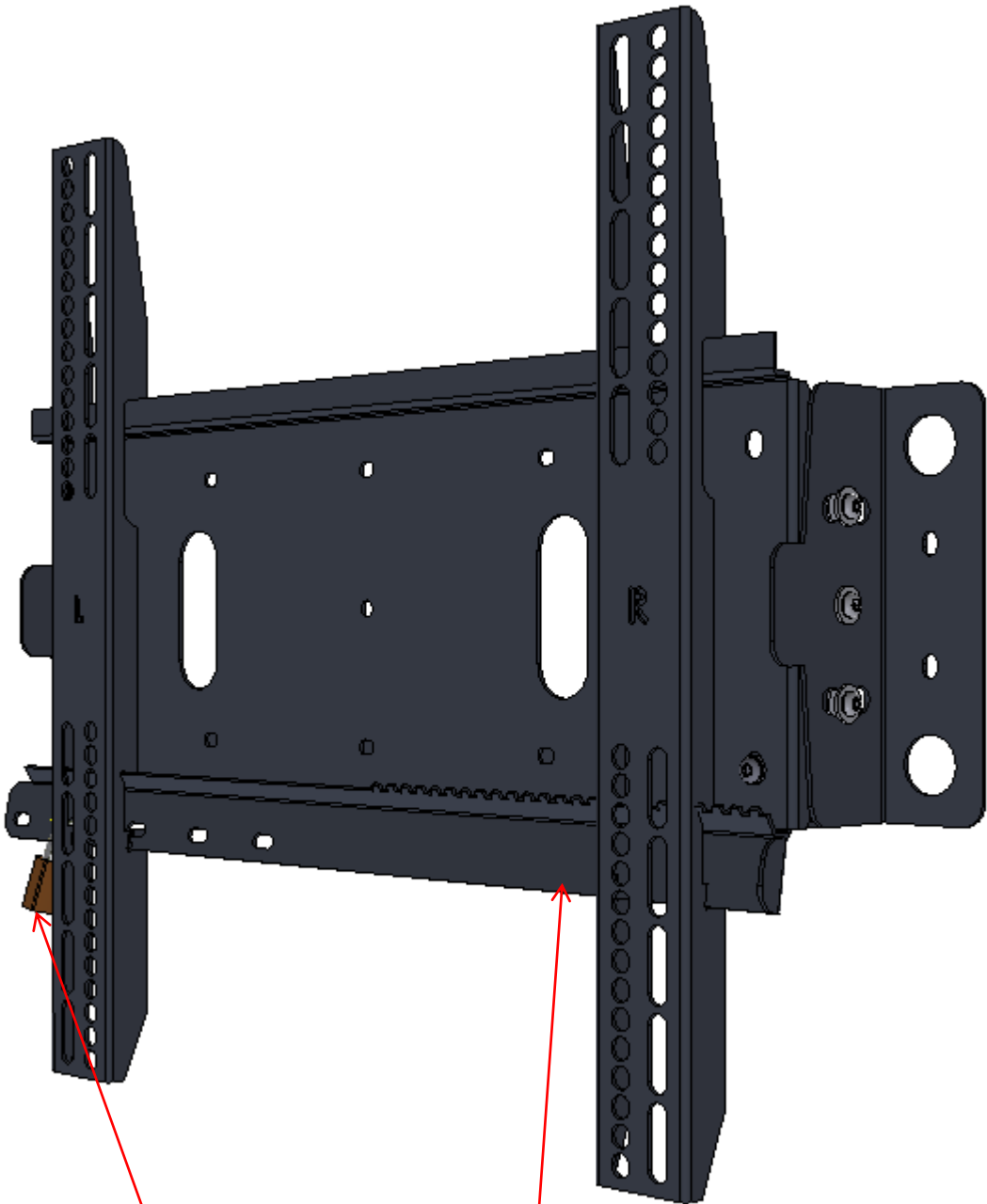


EN.

Place locking strip and secure with padlock.

NL.

Plaats de beveiliging strip en plaats hangslot.



EN.

Padlock

locking strip

NL.

Hangslot

beveiliging strip

Audipack's general conditions of sales and delivery apply to all of Audipack's deliveries. These conditions can be downloaded from Audipack's website, www.audipack.com, or will be sent by post on request.

Audipack liefert ausschließlich unter die allgemeine Verkauf- und Lieferungsbedingungen von Audipack. Diese Bedingungen sind zum downloaden verfügbar auf die Webseite von Audipack, www.audipack.com, oder werden Ihnen auf Anfrage per Post gesendet.

Alle leveringen geschieden uitsluitend volgens de Algemene Verkoop- en Leveringsvoorwaarden van Audipack. Een afschrift hiervan kunt u downloaden van de website van Audipack, www.audipack.com, of wordt u op aanvraag gestuurd per post.

Les conditions de vente et de livraison de Audipack s'appliquent à tous les livraisons de Audipack. Cette conditions sont disponible sur le site internet de Audipack, www.audipack.com, où seront envoyé par poste sur demande.

**AUDIPACK
Industriestraat 2-4
2751 GT Moerkapelle
The Netherlands**

Tel: +31(0)795931671

Fax: +31(0)795933115

Email: audipack@audipack.com

www.audipack.com

Audipack reserves the right to make changes in specifications and other information contained in this document without prior written notice. The information provided herein is subject to change without notice. In no event shall Audipack be liable for any incidental, special, indirect, or consequential damages whatsoever, including but not limited to lost profits, arising out of or related to this manual or the information contained herein, even if Audipack has been advised of, known, or should have known, the possibility of such damages.