

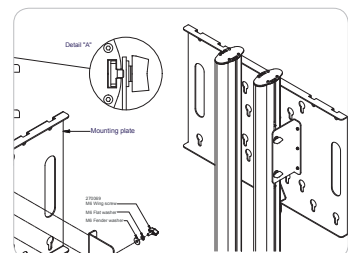
Multi VESA floor stand for direct screen installation

Floor stand supplied with Multi VESA mounting interface, for semi-permanent use.

The Multi-VESA mounting interface allows you to install the screen on a very easy and fast way. The VESA mounting interfaces are compatible with most modern VESA screens. The presentation height of the flat panel is adjustable. This floor stand is suitable for flat panels with a maximum screen size of 55 inch, in landscape or portrait orientation.

The floor stand consists of two vertical columns, screwed to the bottom, each with front and back covers. Each standard has 3 separate cable passages allowing a separate passage of power, audio and data cables.

- ▲ **Direct VESA mounting**
- ▲ **Supplied with many VESA mounting interfaces**
- ▲ **Suitable for many brands and types of screens**
- ▲ **Height adjustment of the screen**
- ▲ **Landscape and portrait orientation of the screen**



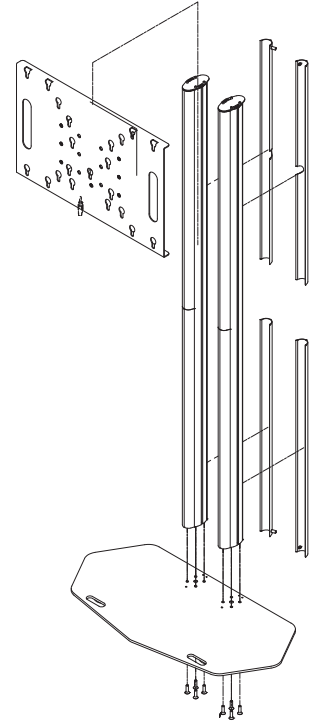
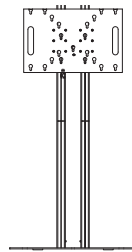
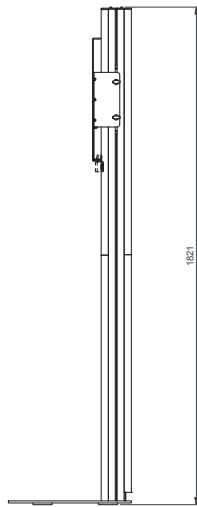
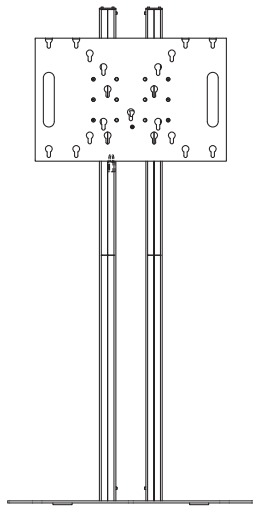
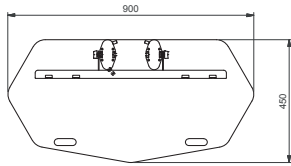


Audipack®

It's great to have solutions...

FACT SHEET

FS-700V6



Technical specifications

Dimensions in mm	W900 x D450 x H1821
Max. screen size	55 inch
Max. load	60 Kg
Mounting interface	VESA 200, 300, 400, 600 L&S 3 and L&S 5
Colour	Floor plate: Black, RAL 9005 Columns: Anodised aluminium
Weight	39 Kg
Screen orientation	Landscape or Portrait (<i>Portrait starts from 50 inch</i>)

Optional

Laptop supports, 390715, 390716
Laptop housings, 390737
Camera support, 390738
Equipment cabinets, EC-735, EC-736, EC-1, EC-1AC
Mounting head for multiple screen installation, 390793
Video conference mounting head, 390768, 390769
Lock for protect the screen against theft, 230052
Soundbar mounting interface, LSS-FS700