

# s09

Fact sheet

# sDock Fix mini

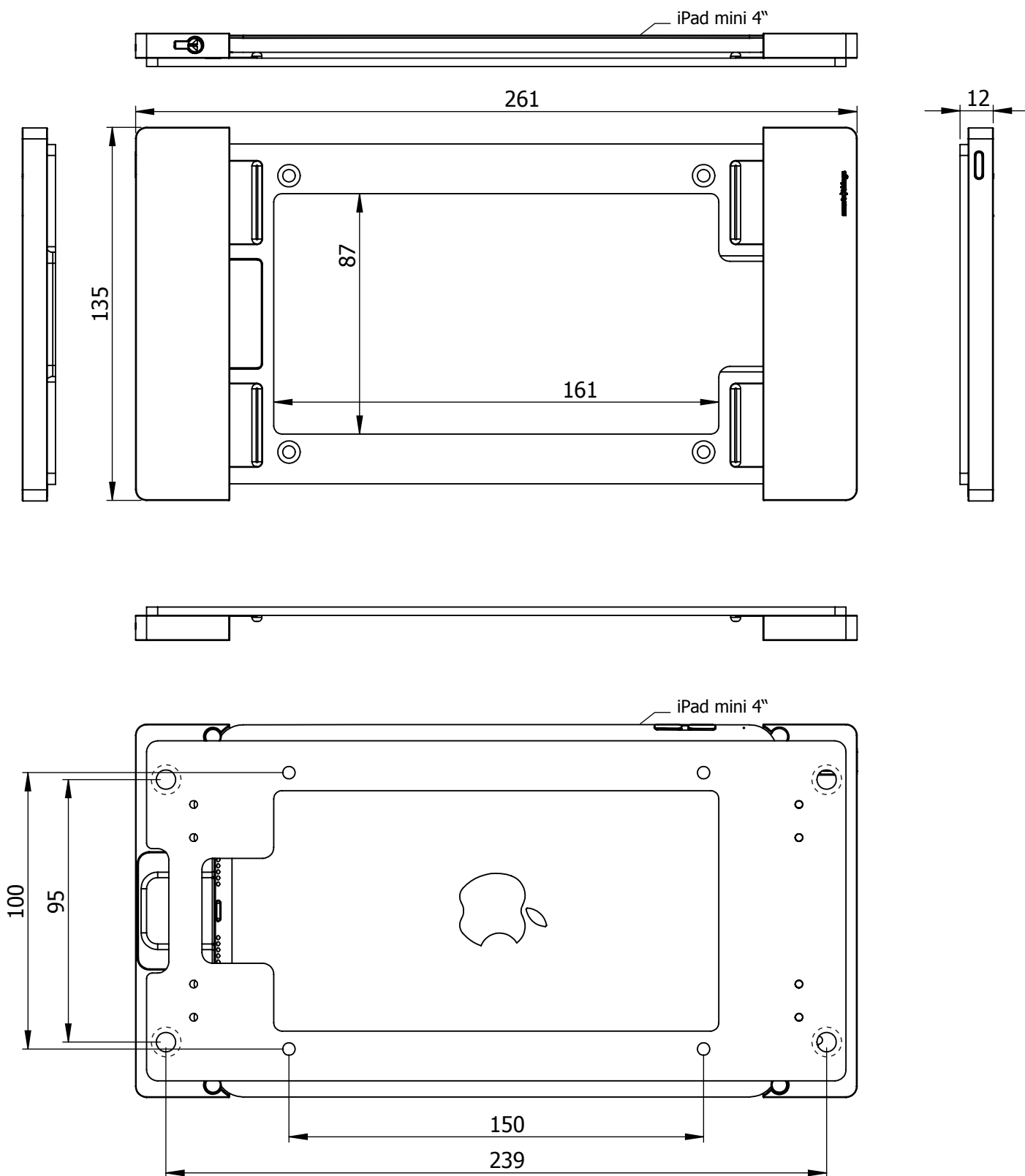
for iPad mini 4



Illustration with iPad mini

<b>Product name</b>	<b>sDock Fix</b> mini silver	black
<b>Short name</b>	s09 s	s09 b
<b>EAN / UPC</b>	4260258610093	4260258612097
<b>Manuf. part no.</b>	sDFix-mini-1.0 s	sDFix-mini-1.0 b
<b>Description</b>	Lockable wall mount for permanent iPad installations. Very thin, only 12 mm. No additional frame on the long sides - which is an esthetic plus - leaving all operating elements (microphone) accessible. The sDock Fix's sleek and elegant design underlines the unique and classic look of the iPad. The flush-mounted power supply sCharge optionally offers an invisible and permanent cable solution.	
<b>Market Entry</b>	May 2017	
<b>Compatible</b>	iPad mini 4	
<b>Approvals</b>	none	
<b>Contains</b>	<ul style="list-style-type: none"><li>• sDock Fix</li><li>• Lock with two numbered keys</li><li>• Silicone pads for various different iPads thicknesses.</li><li>• Washers, adhesive foil with sandblast effect for a mounting on a glass wall</li><li>• Mounting instructions</li></ul> A power supply is not part of the package..	
<b>Materials/ Environment</b>	Anodized aluminium front and base plate. Other parts made of high quality partly reinforced plastics. Silicone parts.	
<b>Dimensions/ Weight</b>	261 x 135 x 12 mm (LxWxH), 273 x 146 x 20 mm (with packaging) 260g (only sDock), 500g incl. accessories and packaging	
<b>Packaging</b>	Master Pack: 20 sDocks, 400 x 300 x 210mm, 10 kg Packaging made of paper/cardboard only.	
<b>Customs tariff no.</b>	8473 3080, HS 8473 30	
<b>Country of origin</b>	China Produced at TQ Systems Shanghai, a company which is also part of TQ-group.com Production certified according ISO 9001.	

# s09 sDock Fix mini



## Fixation options:

Holes 150 x 100 mm ,  $\varnothing$  4mm with chamfer

Holes 239 x 95 mm ,  $\varnothing$  7mm with recess, for use with washers (orientation adjustment)