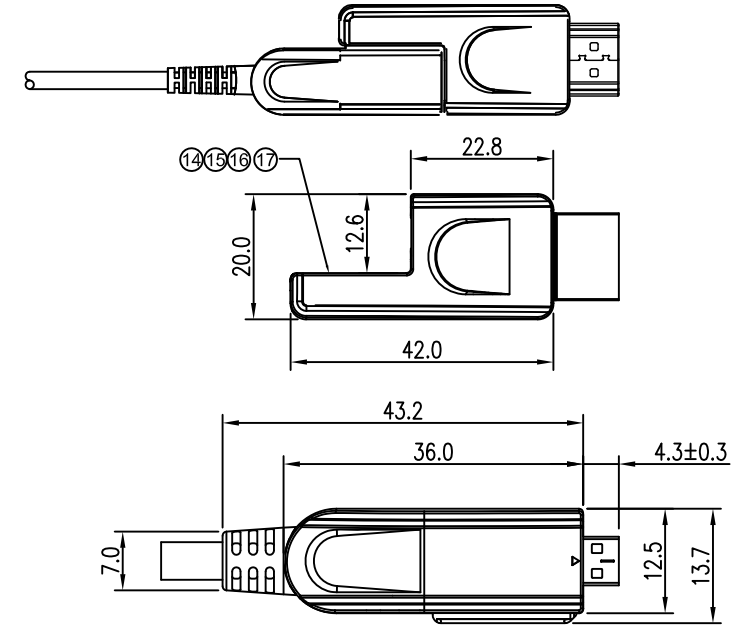


NOTES :
 3840*2160@60Hz
 Support 18Gbps 4:4:4
 Support 100M



10	Spring Lock	1	PCS				
9	SR Black	1	PCS				
8	HDMI D Male PCBA (Display)	1	PCS	18	Screw	2	PCS
7	HDMI A male Shell(Upper) Siliver	1	PCS	17	HDMI A Male Adapter Shell(Upon)Grey	1	PCS
6	HDMI A male Shell(Bottom) Siliver(Source) (Source)	1	PCS	16	HDMI A Male Adapter Shell(Bottom)Grey	1	PCS
5	Screw	2	PCS	15	HDMI A Male Adapter PCBA	1	PCS
4	Spring Lock	1	PCS	14	HDMI A Male Gold Plated Blue Core	1	PCS
3	SR Black	1	PCS	13	HDMI D Male Shell (Bottom)Grey(Display)	1	PCS
2	HDMI A male PCBA (Source)	1	PCS	12	HDMI D Male Shell(Upon) Grey	1	PCS
1	HDMI AOC (4 Fiber+7 Copper) Black CPR OD:4.5MM	TABLE A	mm	11	Screw	2	PCS
ITEM	SPECIFICATIONS	Q'TY	UNIT	ITEM	SPECIFICATIONS	Q'TY	UNIT

TOLERANCE	SCALE	SHEET	DRAWN BY	DATE
.X ±0.25	1 : 1	1 OF 1	Kevin	30/08/2019
.XX ±0.10	REV.	A	CHECKED BY	DATE
ANGLES ±0.5°	MATERIAL	-	THIRD ANGLE PROJECTION	

HDMI 2.0 AOC A-D	
4K60Hz 18Gbps, 100m	
PART NO.	DWG NO.
M01.30.12.10000	-

