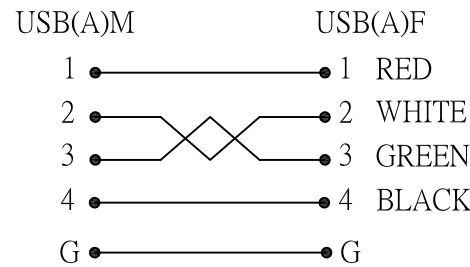
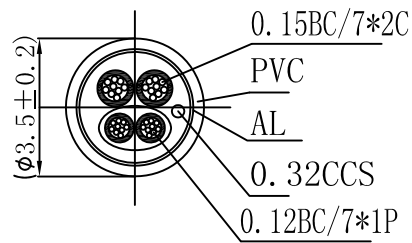


WIRING DIAGRAM

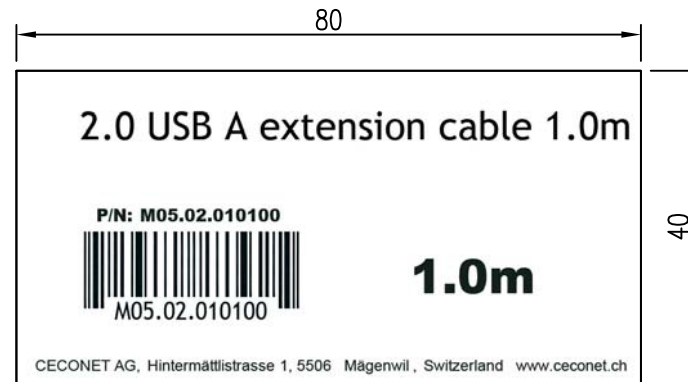
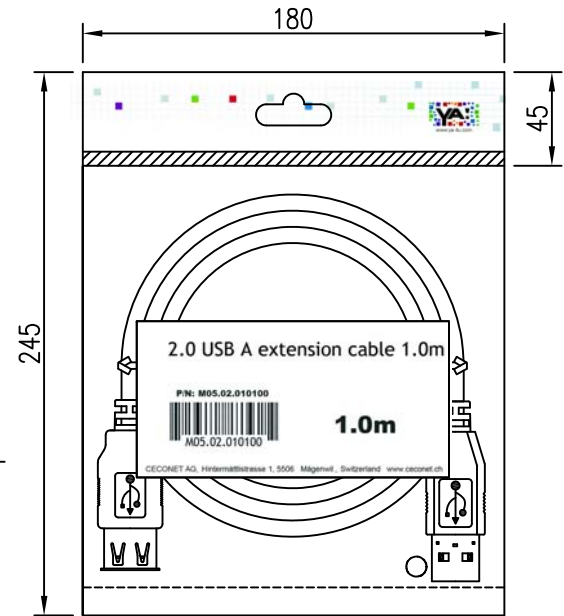


CABLE SECTION



NOTE:

1. CABLE:26+28AWG 0.15CU*7*2C+0.12CU*7*1P+1/0.32CCS+AL+OD3.5mm
BLACK PVC JACKET.
2. CONNECTORS:USB2.0 A PLUG*1PCS, USB2.0 A JACK*1PCS,
SHELL:NICKEL PLATED
3. MOLD ASSEMBLY, BLACK COLOR
4. OPEN/SHORT TEST:100% TEST.
5. ROHS COMPLIANT



LABEL

TOLERANCE		SCALE	SHEEL	DRAWN BY	DATE	USB CABLE		
.X	±0.25	1 : 1	1 OF 1	Kevin	12/05/2020			
REV.		MATERIAL		CHECKED BY	DATE	PART NO.	DWG NO.	
.XX	±0.10	-				M05.02.010100	-	
ANGLES		THIRD ANGLE PROJECTION						