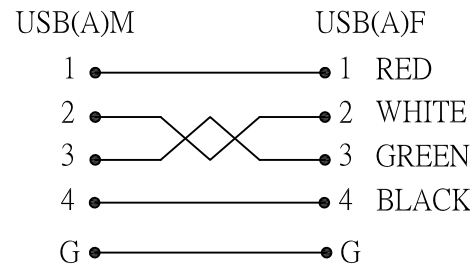
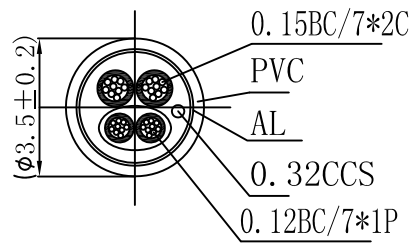


WIRING DIAGRAM

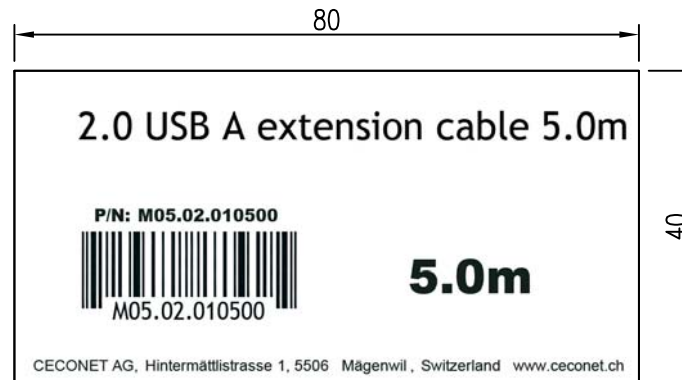
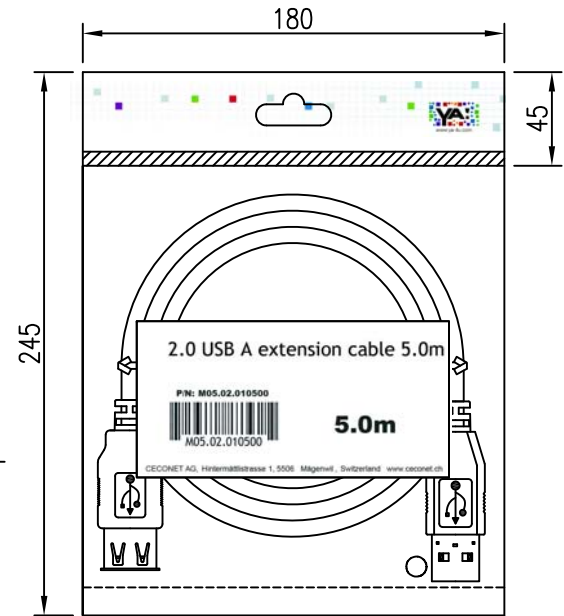


CABLE SECTION



NOTE:

1. CABLE:26+28AWG 0.15CU\*7\*2C+0.12CU\*7\*1P+1/0.32CCS+AL+OD3.5mm BLACK PVC JACKET.
2. CONNECTORS:USB2.0 A PLUG\*1PCS, USB2.0 A JACK\*1PCS, SHELL:NICKEL PLATED
3. MOLD ASSEMBLY, BLACK COLOR
4. OPEN/SHORT TEST:100% TEST.
5. ROHS COMPLIANT



LABEL

TOLERANCE		SCALE	SHEEL	DRAWN BY	DATE	USB CABLE		
.X	±0.25	1 : 1	1 OF 1	Kevin	12/05/2020			
		REV.		CHECKED BY	DATE			
.XX	±0.10	A						
		MATERIAL		THIRD ANGLE PROJECTION		PART NO.	DWG NO.	
ANGLES	±0.5°	-				M05.02.010500	-	