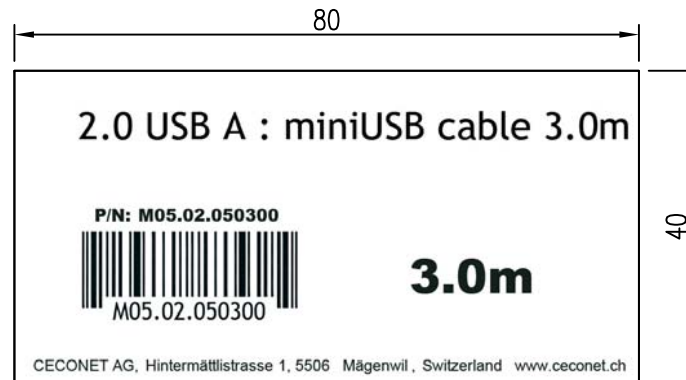
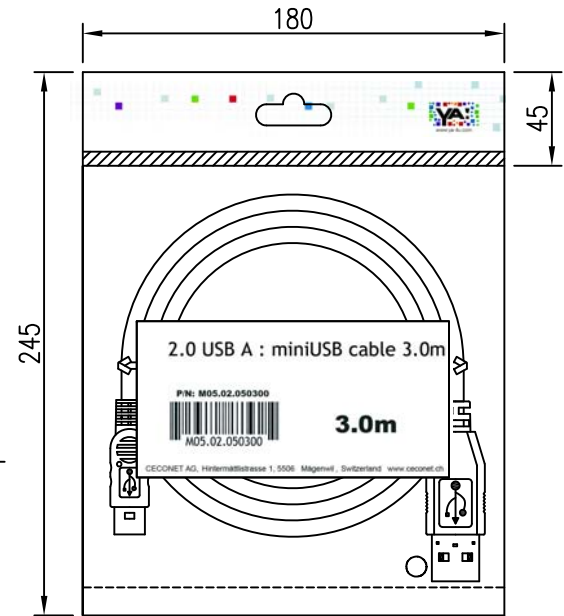
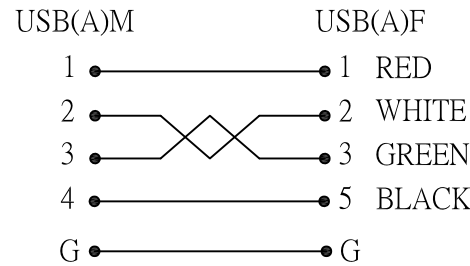
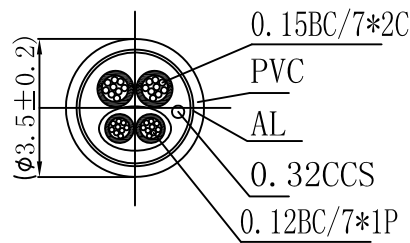


WIRING DIAGRAM

CABLE SECTION



LABEL

NOTE:

1. CABLE:26+28AWG 0.15CU*7*2C+0.12CU*7*1P+1/0.32CCS+AL+OD3.5mm BLACK PVC JACKET.
2. CONNECTORS:USB2.0 A PLUG*1PCS, USB2.0 MINI B 5P PLUG*1PCS SHELL:NICKEL PLATED
3. MOLD ASSEMBLY, BLACK COLOR
4. OPEN/SHORT TEST:100% TEST.
5. ROHS COMPLIANT

TOLERANCE		SCALE	SHEET	DRAWN BY	DATE	USB CABLE		
.X	±0.25	1:1	1 OF 1	Kevin	12/05/2020			
REV.		MATERIAL		CHECKED BY	DATE	2.0A(m) - mini USB(m),3M		
.XX	±0.10	A				PART NO.	DWG NO.	
ANGLES	±0.5°	-		THIRD ANGLE PROJECTION		M05.02.050300	-	