

Connecting List:

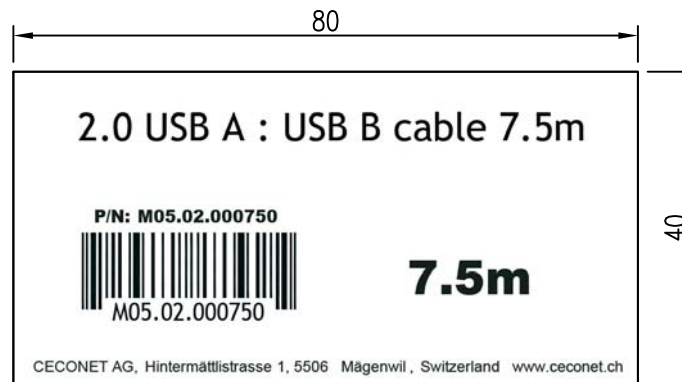
P1		P2
1	Red	1
	Green	
2	White	2
3	Black	3
4	Braid	4
	Shell	Shell

Inspection And Testing:

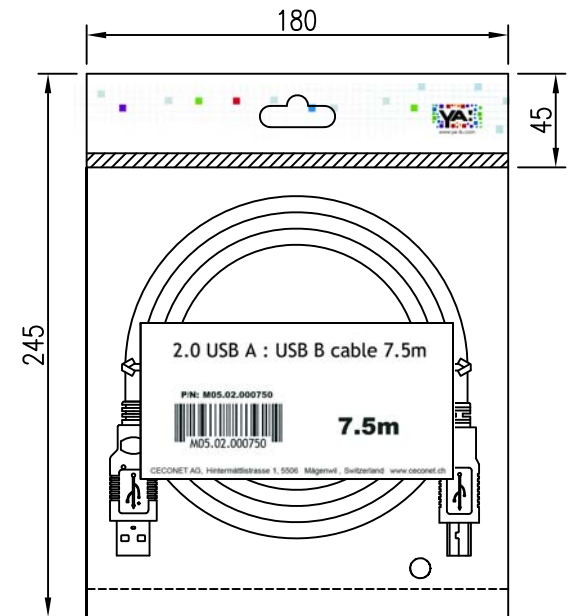
- Product must be 100% tested 4 time
No short;
No Open Circuit;
No Dislocation.
- Electronics Testing:
Insulation Resistance:5MΩ
Conductor Resistance:5Ω
Voltage Rating:300V

Material List:

Item	Part	Specifications	Unit	Q'TY
1	Cable	28AWG*1P+22AWG*2C+AL+Braid, OD:5.0mm, Black	PCS	1
2	Connector	USB2.0 A Male, Nickel Plated	PCS	1
3	Connector	USB2.0 B Male, Nickel Plated	PCS	1
4	InnerMolding	LDPE Transparent	Gram	
5	OuterMolding	45P Black PVC	Gram	



LABEL



TOLERANCE		SCALE	SHEET	DRAWN BY	DATE
.X	±0.25	1 : 1	1 OF 1	Kevin	12/05/2020
.XX	±0.10	REV. A		CHECKED BY	DATE
ANGLES	±0.5°	MATERIAL -		THIRD ANGLE PROJECTION	

USB CABEL	
2.0A(m) - 2.0B(m),7.5M	
PART NO.	DWG.NO.
M05.02.000750	-

