

Connecting List:

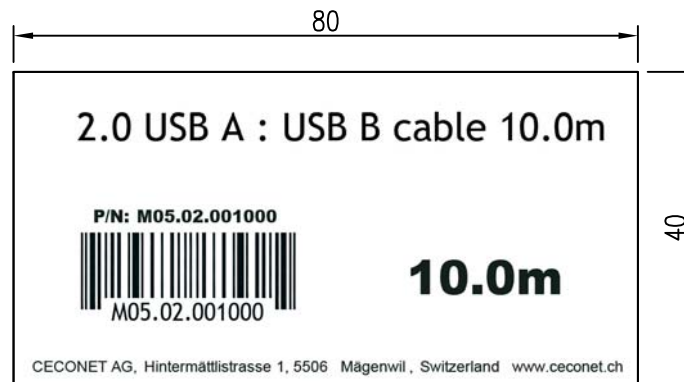
P1		P2
1	Red	1
2	Green	2
3	White	3
4	Black	4
	Shell	Shell

Inspection And Testing:

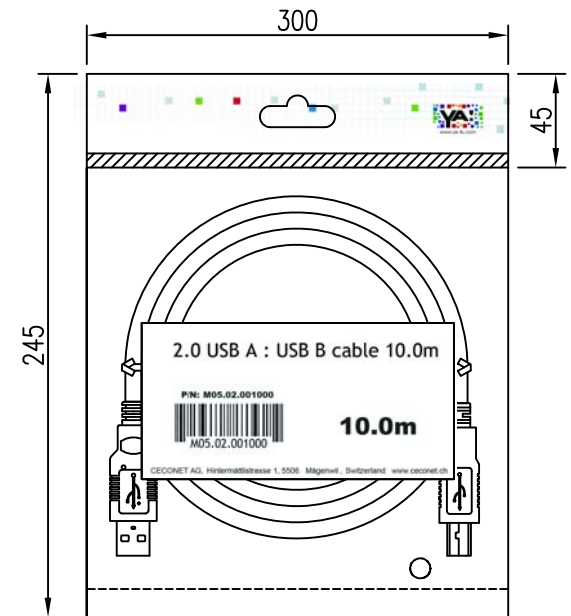
- Product must be 100% tested 4 times:
 - No short;
 - No Open Circuit;
 - No Dislocation.
- Electronics Testing:
 - Insulation Resistance:5MΩ
 - Conductor Resistance:5Ω
 - Voltage Rating:300V

Material List:

Item	Part	Specifications	Unit	Q'TY
1	Cable	28AWG*1P+22AWG*2C+AL+Braid, OD:5.0mm, Black	PCS	1
2	Connector	USB2.0 A Male, Nickel Plated	PCS	1
3	Connector	USB2.0 B Male, Nickel Plated	PCS	1
4	InnerMolding	LDPE Transparent	Gram	
5	OuterMolding	45P Black PVC	Gram	



LABEL



TOLERANCE		SCALE	SHEET	DRAWN BY	DATE
.X	±0.25	1 : 1	1 OF 1	Kevin	12/05/2020
.XX	±0.10	REV. A		CHECKED BY	DATE
ANGLES		MATERIAL		THIRD ANGLE PROJECTION	
		-			

USB CABEL	
2.0A(m) - 2.0B(m),10M	
PART NO.	DWG NO.
M05.02.001000	-

