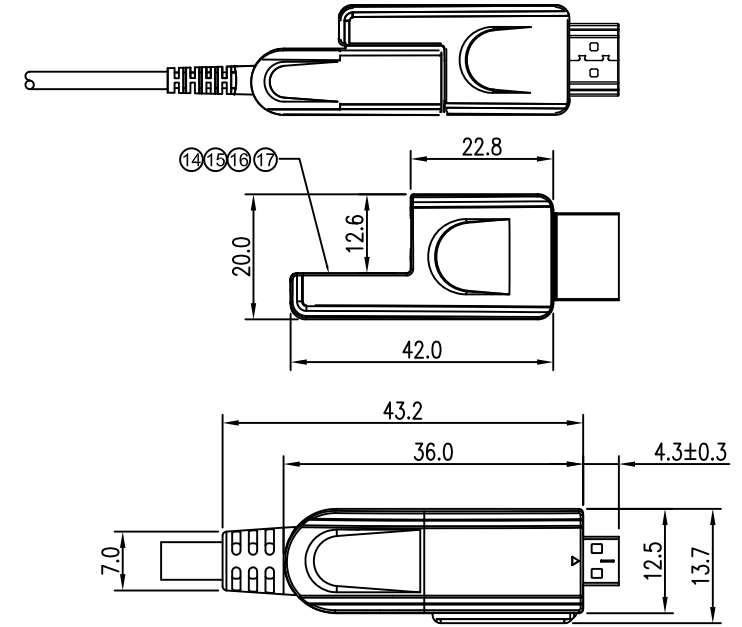


NOTES :
 3840*2160@60Hz
 Support 18Gbps 4:4:4
 Support 100M



10	Spring Lock	1	PCS	19	QIG (Quick Install Guide)-- EINZUGSKABEL this side on top. (說明書的這面朝上.)	1	PCS
9	SR Black	1	PCS	18	Screw	2	PCS
8	HDMI D Male PCBA (Display)	1	PCS	17	HDMI A Male Adapter Shell (Upon) Grey	1	PCS
7	HDMI A male Shell (Upper) Silver	1	PCS	16	HDMI A Male Adapter Shell (Bottom) Grey	1	PCS
6	HDMI A male Shell (Bottom) Silver (Source) (Source)	1	PCS	15	HDMI A Male Adapter PCBA	1	PCS
5	Screw	2	PCS	14	HDMI A Male Gold Plated Blue Core	1	PCS
4	Spring Lock	1	PCS	13	HDMI D Male Shell (Bottom) Grey (Display)	1	PCS
3	SR Black	1	PCS	12	HDMI D Male Shell (Upon) Grey	1	PCS
2	HDMI A male PCBA (Source)	1	PCS	11	Screw	2	PCS
1	HDMI AOC (4 Fiber+7 Copper) Black CPR OD:4.5MM	TABLE A	mm				
ITEM	SPECIFICATIONS	Q'TY	UNIT	ITEM	SPECIFICATIONS	Q'TY	UNIT



TOLERANCE	SCALE	SHEET	DRAWN BY	DATE	HDMI 2.0 AOC A-D 4K60Hz 18Gbps, 7.5m
.X ±0.25	1:1	1 OF 1	Kevin	24/11/2020	
.XX ±0.10	REV.		CHECKED BY	DATE	
ANGLES ±0.5°	MATERIAL		THIRD ANGLE PROJECTION		
					PART NO. M01.30.12.00750
					DWG. NO. -

