

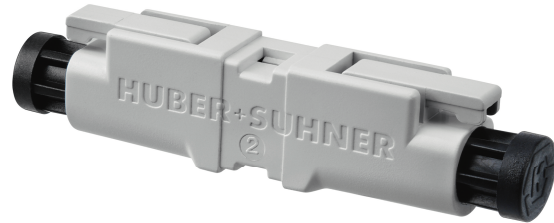
## CLIK!-CLIK!-A100\_100-P

### Description

CLIK! Adapter, white, simplex, without flange

#### Features

- Single fusion compact size
- Low polarization sensitivity
- High stability and reliability
- Excellent mechanical and environmental performance
- Singlemode



### Technical Data

#### General Data

Characteristics	Values
Adaptor family	Clik
Material	Plastic
Color of housing	White

#### Mechanical Data

Characteristics	Values
Operating temperature min. (°C)	-40
Operating temperature max. (°C)	85
Min. mating cycles	1000

#### Optical Data

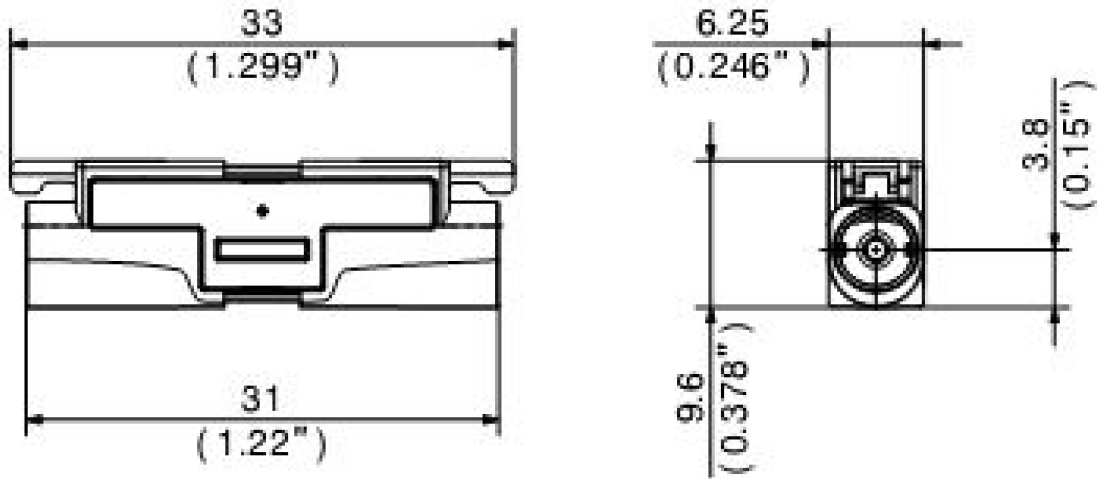
Characteristics	Values
IL repeatability (dB)	0.1

#### Environment Data

Characteristics	Values
RoHS compliant	Yes
REACH compliant	Yes
UV resistant	Yes
Flammability rating	UL 94 V-0
Free of halogen	Yes

CLIK!-CLIK!-A100\_100-P

## Technical drawing



## Ordering information

Description	Item number
CLIK!-CLIK!-A100_100-P	84100405