



Avonic Ceiling mount

AV-MT250

CONTENTS

Introduction.....	3
Contact	3
Join Avonic	3
Safety Notes.....	3
Package contents and Accessories	4
Contents	4
Product Overview	5
Features	5
Installation	6
Measurements and specs.....	9

INTRODUCTION

Thank you for your Avonic purchase. Before beginning to operate this device, please read the manual in order to make sure the best performance is obtained. Save this manual for future reference.

Contact

For any questions or suggestions, contact your reseller or the local distributor of Avonic. Find the local distributor on the website of Avonic. For the most recent version of the manual or datasheet, look at the Avonic website: www.avonic.eu

Join Avonic



facebook.com/avonicPTZ



linkedin.com/company/avonic



twitter.com/avonic

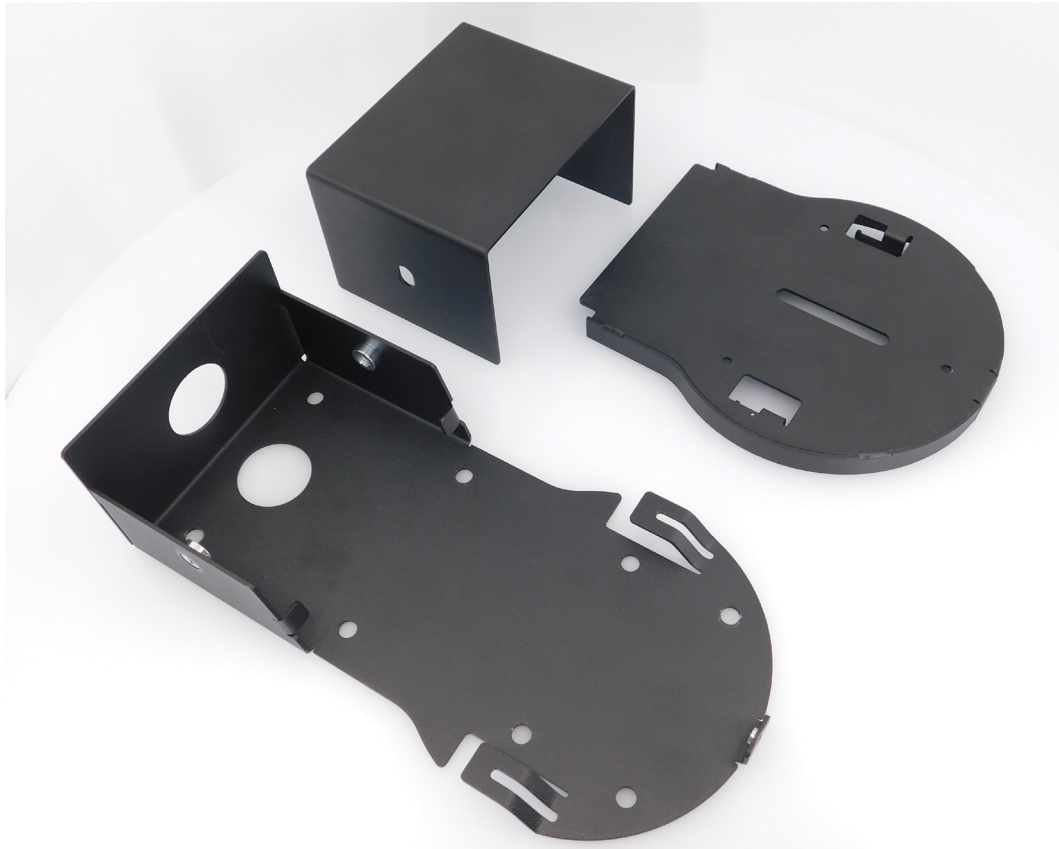
Safety Notes

- Installation and servicing should only be done by Qualified Service Personnel and conform to all local codes.
- This unit is designed for indoor use only and it must not be installed where exposed to water or other liquids and moisture.
- Before powering on the device, check the input power voltage carefully.
- Avoid shock and vibration when transporting and installing the device.
- Electronic devices produce heat. Do not block the ventilation slots of the device and make sure the installation environment is well ventilated to avoid overheating.
- Before cleaning, unplug the power cable. Use a soft, damp cloth to clean the device, do not use strong or abrasive detergent to clean that will damage the device.
- If you wish to dispose this product, please contact Avonic to obtain info about the disposal procedure.

PACKAGE CONTENTS AND ACCESSORIES

Contents

Quantity	Description
1 pc	Ceiling mount AV-MT250-B/ -W
1 pc	1/4"-20 UNC Central Camera Screw
5 pc	M3*6mm black screw
2 pc	Black Allen bolt (back cover)
1 pc	Black 30MM Cover Cap



PRODUCT OVERVIEW

The Avonic MT250 is a solid ceiling mount suitable for the CM40 and CM70 series. Its discrete design matches the silent operation of Avonic PTZ cameras. The MT-250 is equipped with two VESA75 mounting possibilities. The double VESA75 holes serve a dual purpose; it ensures optimal compatibility with standard VESA mounts and it makes finding a suitable ceiling location to mount the MT-250 easy. When mounted to the ceiling, the clever MT-250 design allows to have your hands free for easy installation of the camera. Available in black and white to match our PTZ cameras.

Features

- Separate base and camera plate for hassle free mounting and cable installation
- Double VESA 75 mounting holes for optimal compatibility with VESA standard mounts
- Hands free installation of the camera, only one screw needed to secure it
- Integrated cable cover
- Discrete and compact design
- Seamless integration with the shape and color of Avonic PTZ cameras

INSTALLATION

The first step in mounting the MT-250 ceiling bracket is to fasten the baseplate to the ceiling (Figure 2.). For safety reasons, make sure that screws holding the plate are at least capable of supporting 4 times the weight of the bracket and camera together.

If you choose to mount the camera onto a standard VESA polemount, the baseplate has two VESA75 mounting possibilities (Figure 1.), making it easy to find the best position for the bracket

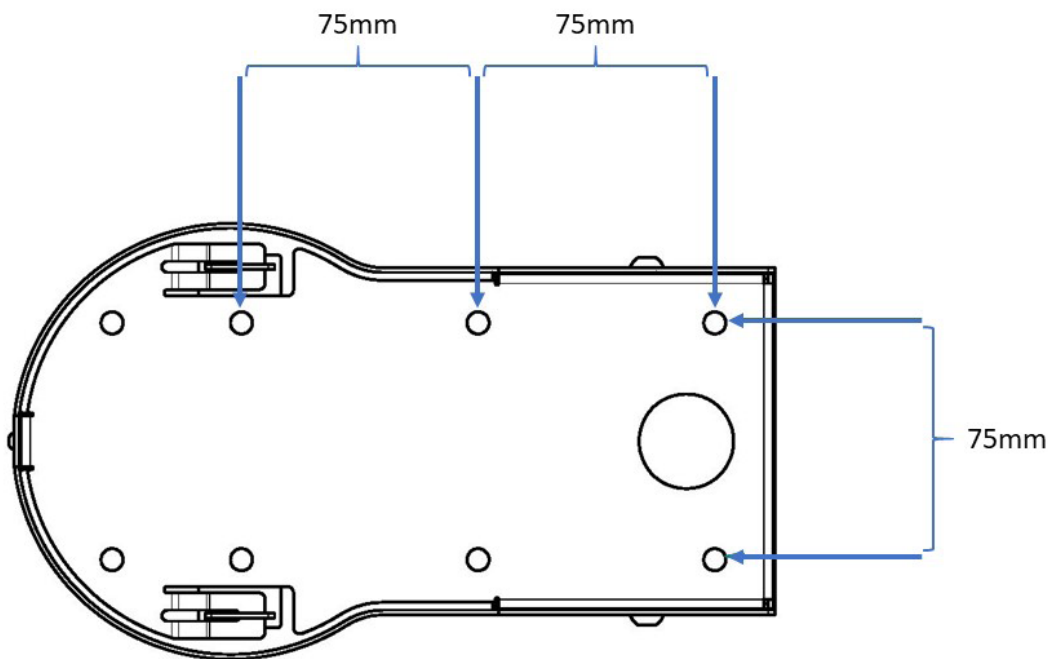


Figure 1.

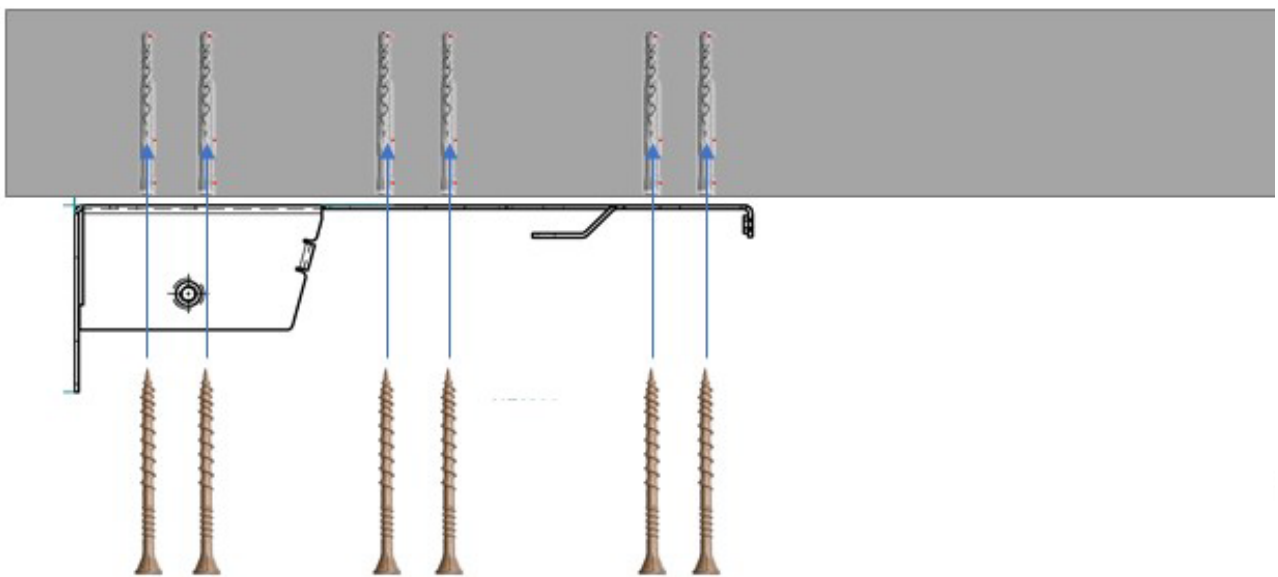


Figure 2.

*screws and plugs not included

The next two drawings describe step two and three in the process.

The second step in the process is to mount the camera to its own plate (Figure 3.), using the supplied 1/4" UNC screw and three little black M3 security screws.

The third step is to connect the cables to the camera and slide the camera on its plate into place (Figure 4.). The construction has been designed in such a way that the camera can be hung up and be released so the installer has his or her hands free.

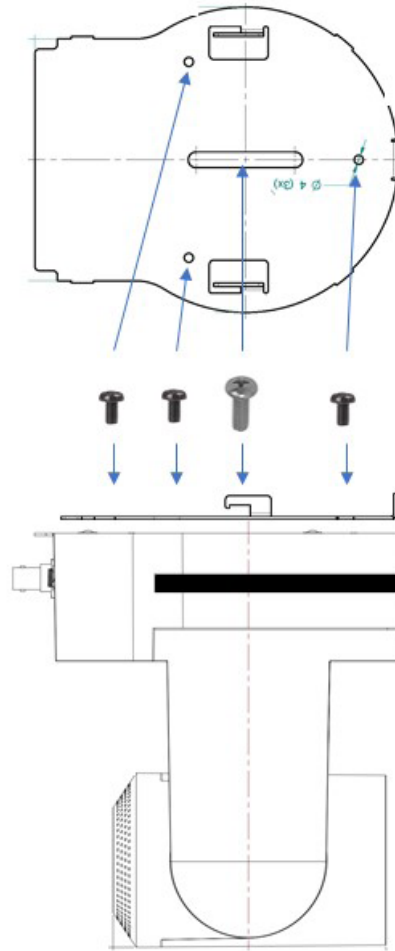


Figure 3.

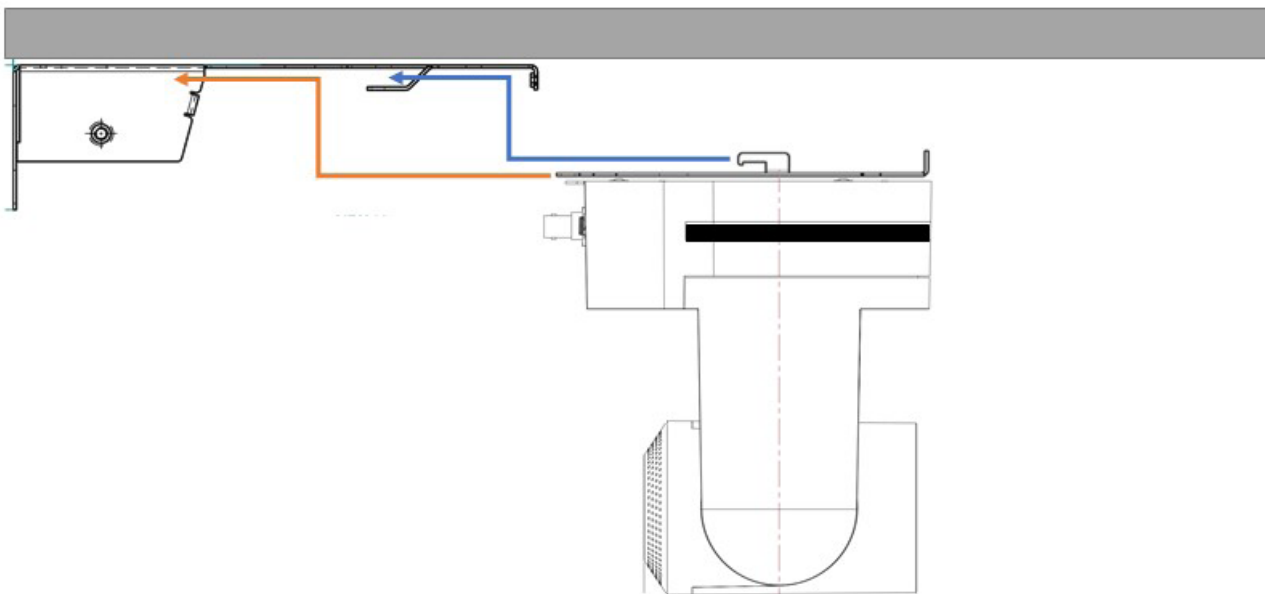


Figure 4.

The fourth step is to lock the camera and ceilingmount together using one of the supplied M3 screws and fasten into the center front (Figure 5).

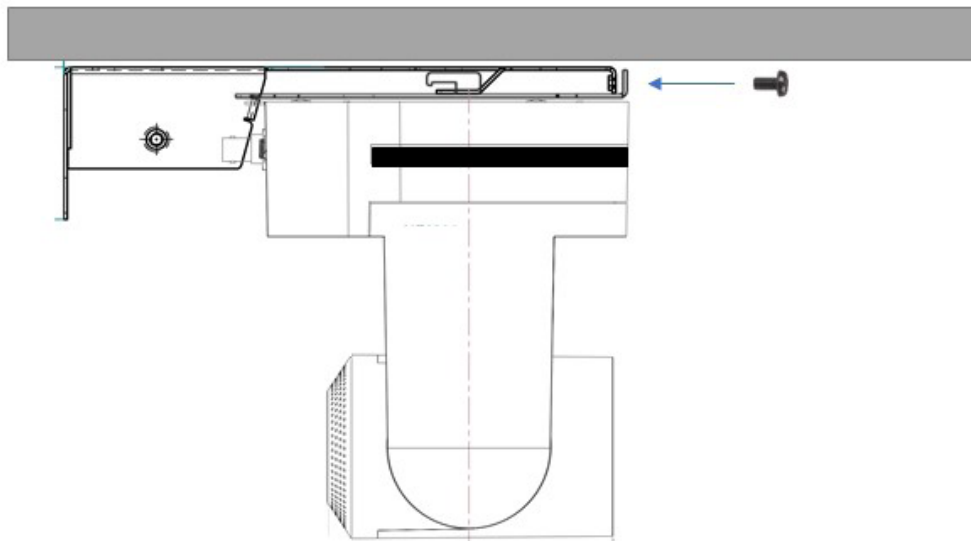


Figure 5.

The fifth and last step is to put the cable cover over the back of the bracket, neatly concealing the cables and connectors of the camera. The cover cap can be screwed in place using the two supplied M6 Allen bolts (Figure 6.). Note that the screws of the covercap are placed off-centre, indicating that the cover can only be mounted in one specific way to match up exactly with the back of the camera.

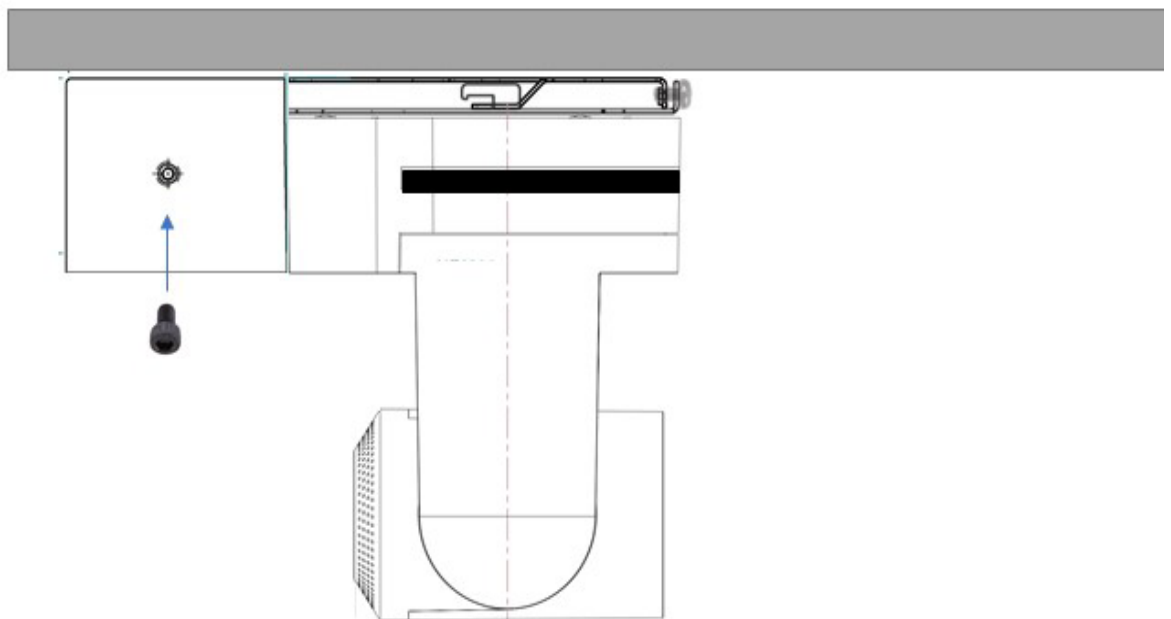
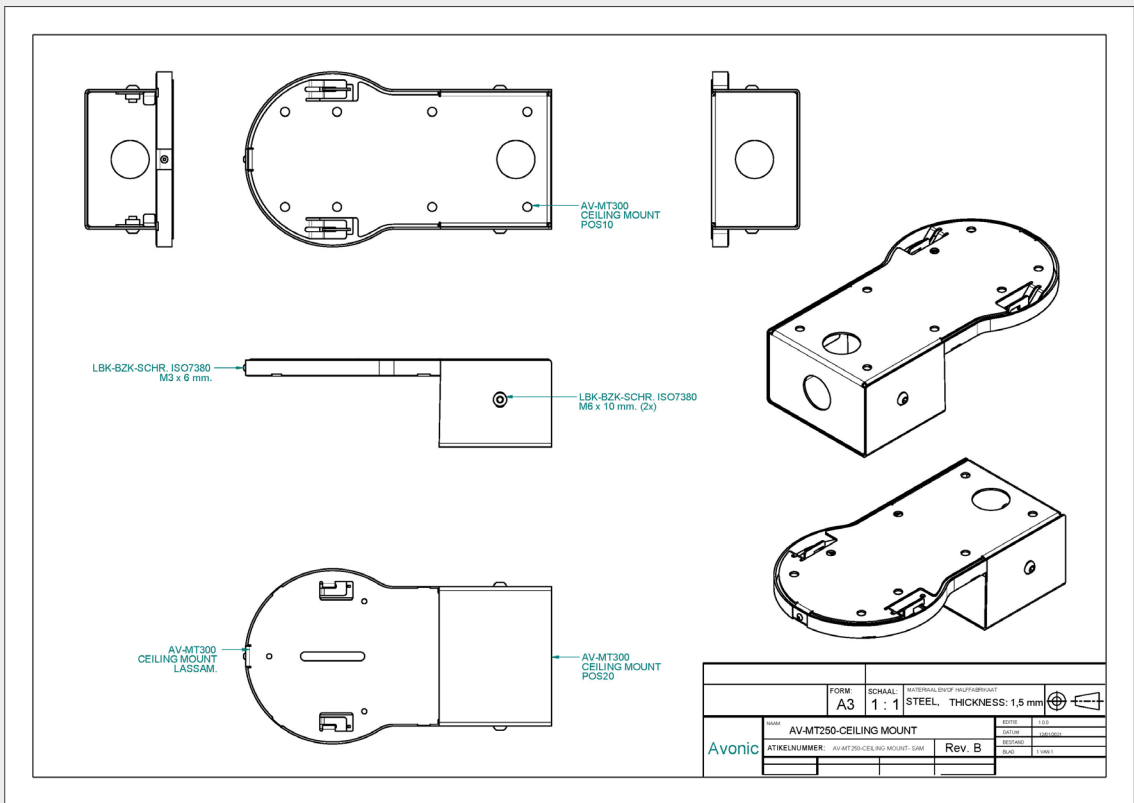
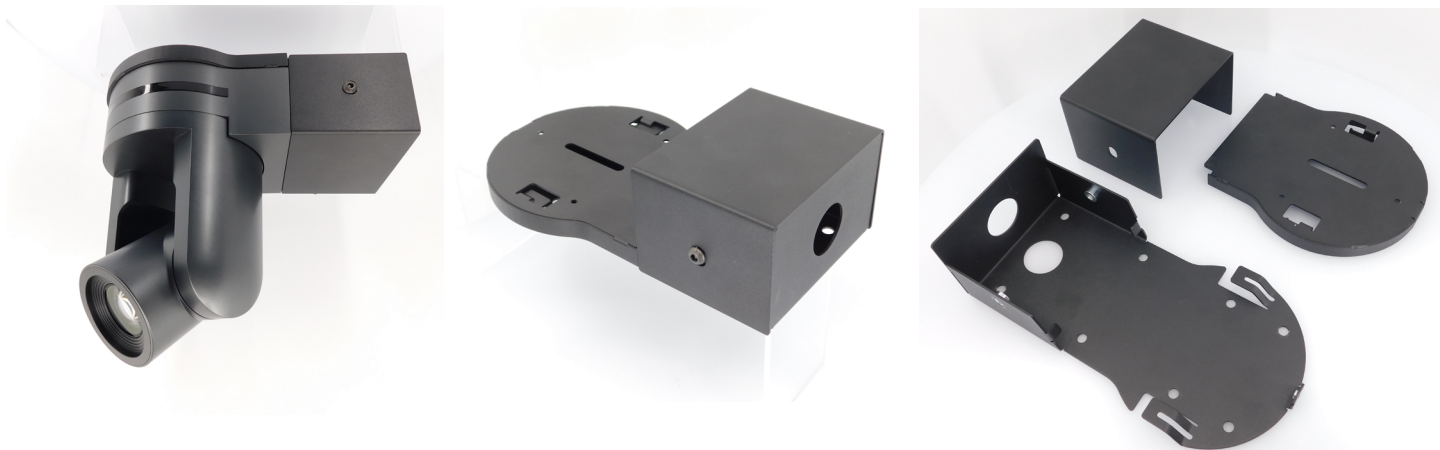


Figure 6.

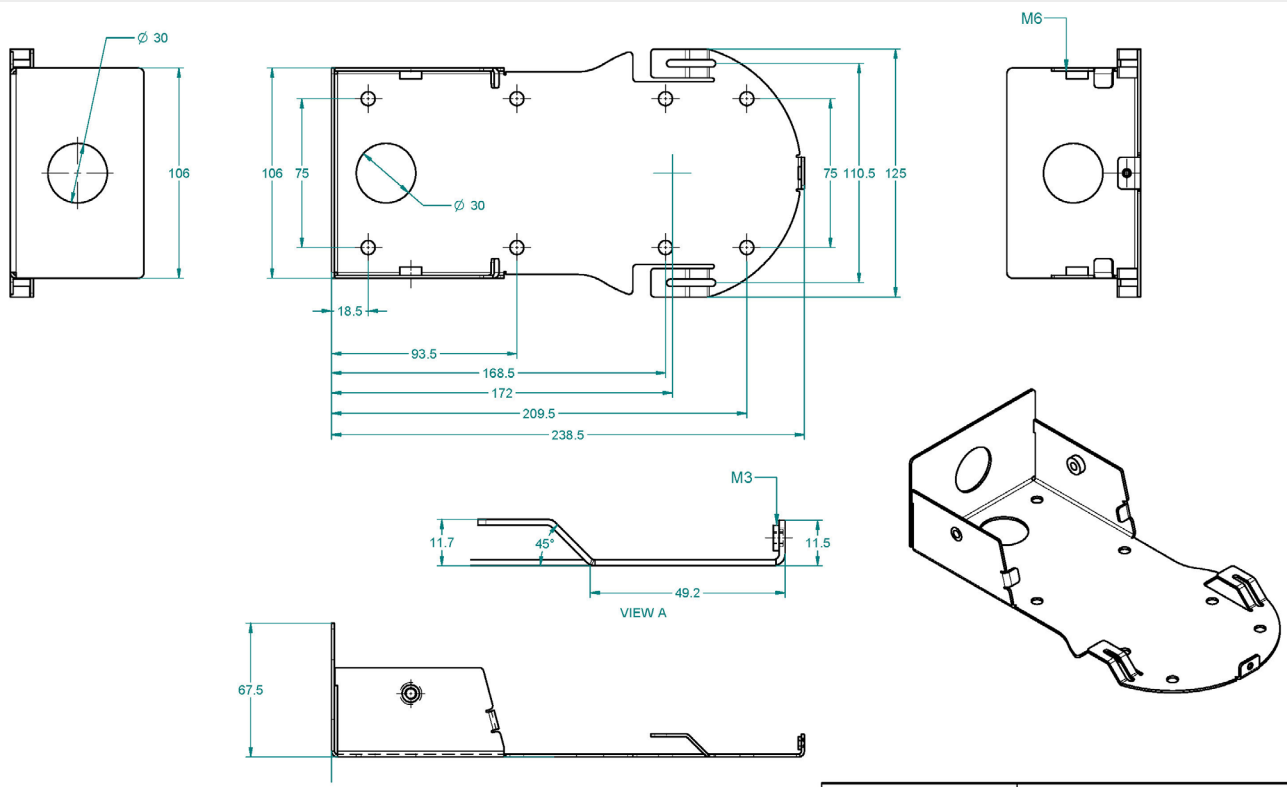
MEASUREMENTS AND SPECS



General specifications

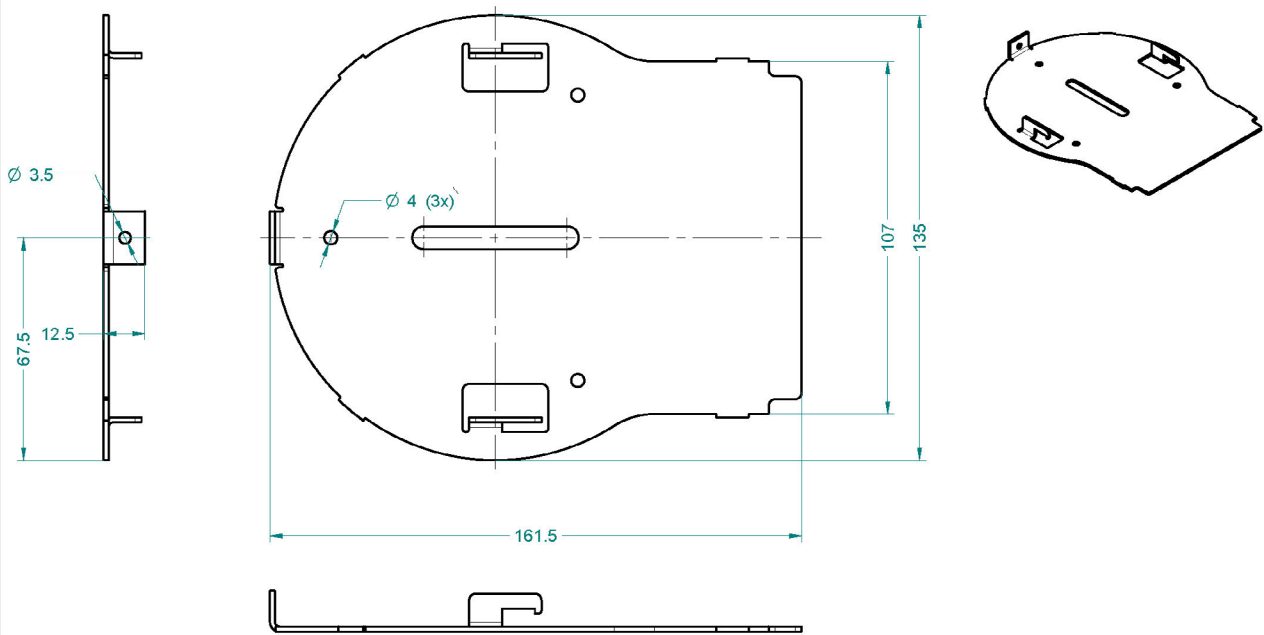
Color	WHITE OR BLACK
Dimensions product MM (W x H x D)	138 X 69 X 240
Weight product	1.1 KG
Dimensions package MM (W x H x D)	145 X 75 X 250
Weight package	1.2 KG
Included	AV-MT250 BLACK OR WHITE 1 X 1/4"-20 UNC CAMERA SCREW 5 X M3*6MM BLACK SCREW 2 X BLACK ALLEN BOLT M6*1.0 (TO HOLD STEEL BACK COVER) 1 X BLACK 30MM COVER CAP





- GENERAL TOLERANCE ± 0,1 mm.

FORM: A3		SCHAAL: 1:1	MATERIAAL EN/OF HALFFABRICAAT: STEEL, THICKNESS: 1,5 mm	
NAME: AV-MT250-CEILING MOUNT				EDITE: 1:0.0
AVONIC				DATEM: 1-2022
ARTIKELNUMMER: AV-MT250-CEILING-MOUNT-POS00			Rev. B	BESTAND: 0
				BLAD: 0



- GENERAL TOLERANCE ± 0,1 mm.

FORM: A3		SCHAAL: 1 : 1	MATERIAL ENUF HALFBADIKAAI STEEL, THICKNESS: 1,5 mm	
Avonic	NAAM: AV-MT250-CEILING MOUNT		EDITE: 1.0.0	
	ARTIKELNUMMER: AV-MT250-CEILING MOUNT-POSSO		Rev. B	DATUM: 12/01/2021
			BESTAND:	
			BLAD: 1 VAN 1	