



IP-A750TX/IP-A750RX

Audio over IP Transmitter & Receiver for IP-7000 series



The advantage of Audio over IP is that it can flexibly route and use cost effective CAT cable. This greatly reduces the cost of wiring and improves convenience. IP-A750TX and IP-A750RX take the advantage of Audio over IP and provide flexibility for installation. These products specify the system to implement Analogue (Line in and Mic in) and Digital (S/PDIF and TOSLINK®) over IP, allows you with help of IP-CS7 AV over IP master controller to easily extend the connection between an audio source and an audio playback device via a Local Area Network.

PANELS

Transmitter



Front View



Rear View

Receiver

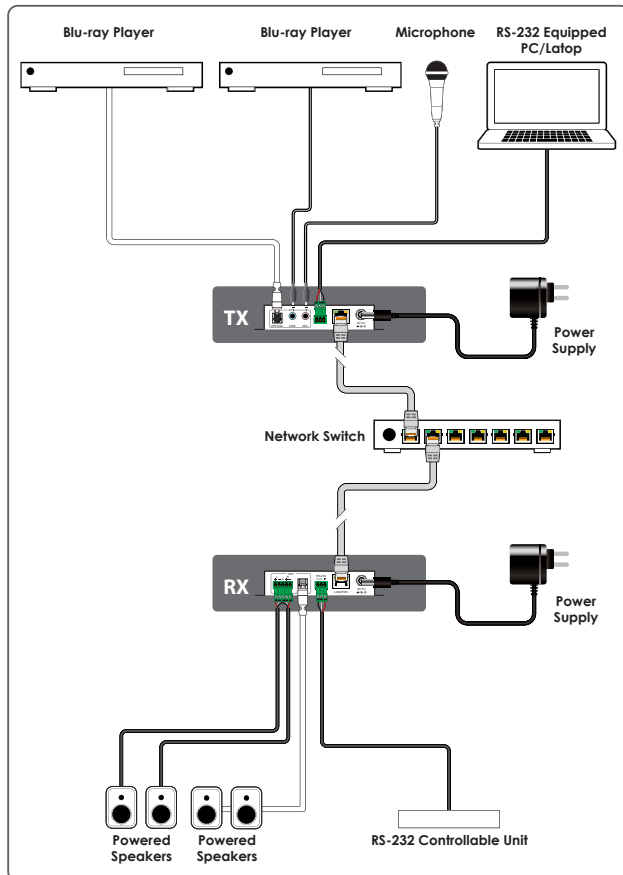


Front View



Rear View

DIAGRAM



FEATURES

- Extend analogue and digital audio over an IP network with 100m (330ft) of CAT 5/6 cable between TX/RX and network switch.
- Compatible with IP-CS7 Controller to allow creation of video matrix switch using multiple Video-Over-IP Extender products. In order to achieve this, require commands to integrate with IP-CS7 discovery and robust TCP/UDP command set.
- IP to RS-232 bridging feature will allow users to control serial equipped devices using IP enabled control interfaces.
- The IP-CS7 Software integration for device discovery, configuration, monitoring, and firmware upgrading. IP-CS7 has to control the unit via web interface.
- Field-updatable firmware. (Note: Power cannot be removed during bootloader updating.)

SPECIFICATIONS

Interfaces

Input Port	TX 1 Optical 1 Line (3.5mm) 1 Mic (3.5mm)
Bi-directional Port	1 GbE LAN (RJ-45)
Control I/O	1 RS-232 (3-pin Terminal Block)
Output Port	RX 1 Optical 1 Analogue Audio (5-pin Terminal Block)
Bi-directional Port	1 GbE LAN (RJ-45)
Control I/O	1 RS-232 (3-pin Terminal Block)

Audio

Optical In	LPCM (2 Channels), Bitstream
Line In	2 Vrms S/N Ratio: > 98dB (1kHz with 0dBFS)
Mic In	2 Vrms S/N Ratio: > 82dB (1kHz with 0dBFS)
Optical Out	LPCM (2 Channels), Bitstream
Line Out	4 Vrms

Power

Power Supply	5V/2.6A DC (Locking)
Power Consumption	2.27W

Enclosure

Chassis Material	Metal (Aluminum)
Chassis Colour	Black
Dimensions (W×H×D)	108mm×25mm×108mm [Case Only] 108mm×25mm×116mm [All Inclusive]
Weight	671g(Tx) 671g(Rx)

Field Firmware Update

WebGUI

ORDERING INFORMATION

Model No.	Product Description
IP-A750TX	Audio over IP Transmitter
IP-A750RX	Audio over IP Receiver
IP-CS7	AV over IP Master Controller