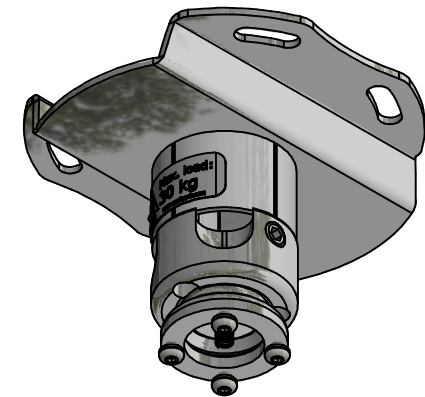
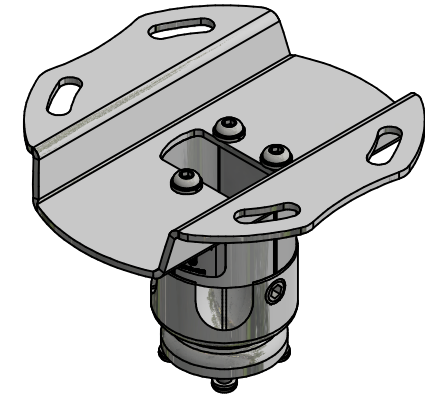


Angle Max. 15°



NOTE: All dimensions are ±..., in mm and subject to change

© COPYRIGHT AUDIPACK  
 This print and the information shown  
 thereon, is the property of  
 AUDIPACK.  
 It may not be delivered to others nor  
 reproduced for general circulation  
 without the written consent of the  
 AUDIPACK engineering department.



**AUDIPACK**  
 Industriestraat 2-4  
 2751 GT Moerkapelle  
 the Netherlands

Tel: +31(0)795931671  
 Fax: +31(0)795933115  
[www.audipack.com](http://www.audipack.com)

PRESENTATION  
 UTS-0100

UNIVERSAL TUBE SET with fixed  
 length