

# Add-on Microphone

AnyCo M1



## User Manual





# Table of Contents

<b>Introduction .....</b>	<b>2</b>
Overview .....	2
Features.....	2
Package Contents.....	2
Panel.....	3
<b>Application.....</b>	<b>4</b>
<b>Specifications .....</b>	<b>5</b>
<b>Warranty.....</b>	<b>6</b>

# Introduction

## Overview

This product is a microphone designed to work with Video Bar for extending pickup distance. It is ideal for applications in huddle /small/medium conference rooms.

## Features

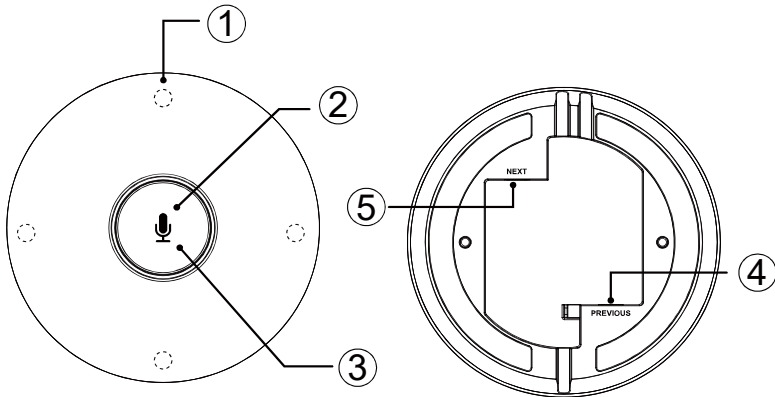
- 4 x MEMS omnidirectional microphones array with a pickup range of 3 to 5 meters.
- Supports AEC (Acoustic Echo Cancellation), AGC (Automatic Gain Control) and ANS (Automatic Noise Suppression) that make all participants feel like they are in the same room.
- Supports cascading of up to three microphones, greatly extending the pickup range.
- Equipped with a mute/unmute button and a status indicator.


## Package Contents

Before you start the installation of the product, please check the package contents:

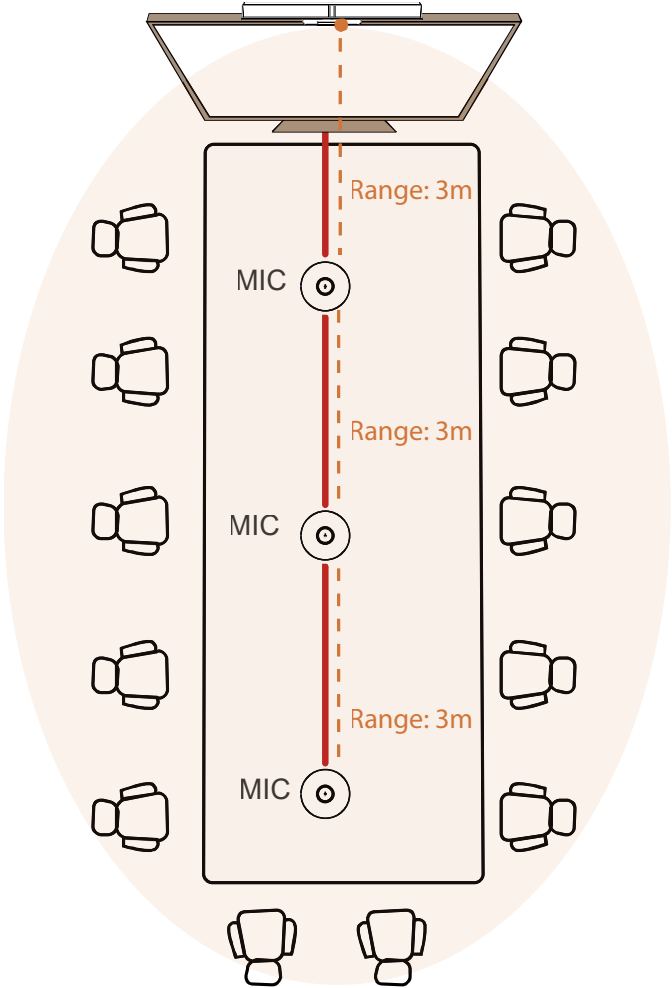
- Microphone x 1
- 3m Mini USB to Mini USB Cable x 1
- User Manual x 1

## Panel



ID	Name	Description
1	Microphone	4 x Omnidirectional microphones array
2		Microphone mute/unmute button. Press this button to mute or unmute the microphones, including the one at the Video Bar and all other microphones.
3	Status LED	<ul style="list-style-type: none"> <li>Lighting white: The device is working properly.</li> <li>Blinking white: The device is being upgraded.</li> <li>Blinking blue: The device is picking up sound. Note: Once the device completes pickup, the lighting LED will be off.</li> <li>Lighting red: The device is muted.</li> </ul>
4	PREVIOUS	<ul style="list-style-type: none"> <li>Connect to the Video Bar or the previous microphone. This port supports power input.</li> </ul>
5	NEXT	<ul style="list-style-type: none"> <li>Connect to the next extensible microphone. This port supports power output to the next microphone.</li> </ul>

# Application



# Specifications

## Audio and Video

Input/Output Port	1 x PREVIOUS; 1 x NEXT
-------------------	------------------------

## Microphone

Microphone	4 x Omnidirectional microphones array Pickup Range: 3 to 5 meters
------------	--

## Communication and Control

USB	Mini USB
-----	----------

## General

Operating Temperature	+32°F ~ +104°F (0°C ~ +40°C), 10% ~ 90%, non-condensing
-----------------------	--

Storage Temperature	-4°F ~ 140°F (-20°C ~ +60°C), 10% ~ 90%, non-condensing
---------------------	--

Power Supply	Powered by Video Bar
--------------	----------------------

Power Consumption	1.5W (Max)
-------------------	------------

Dimensions (φ x h)	100mm x 21.5mm / 3.94" x 0.85"
--------------------	--------------------------------

Net Weight	0.29kg/0.638lb
------------	----------------

# Warranty

Products are backed by a limited 1-year parts and labor warranty. For the following cases AV Access Technology Limited shall charge for the service(s) claimed for the product if the product is still remediable and the warranty card becomes unenforceable or inapplicable.

1. The original serial number (specified by AV Access Technology Limited) labeled on the product has been removed, erased, replaced, defaced or is illegible.
2. The warranty has expired.
3. The defects are caused by the fact that the product is repaired, dismantled or altered by anyone that is not from an AV Access Technology Limited authorized service partner. The defects are caused by the fact that the product is used or handled improperly, roughly or not as instructed in the applicable User Guide.
4. The defects are caused by any force majeure including but not limited to accidents, fire, earthquake, lightning, tsunami and war.
5. The service, configuration and gifts promised by salesman only but not covered by normal contract.
6. AV Access Technology Limited preserves the right for interpretation of these cases above and to make changes to them at any time without notice.

Thank you for choosing products from AV Access.

If you have any question, please contact us via the following emails:

General Enquiry: [info@avaccess.com](mailto:info@avaccess.com)

Customer/Technical Support: [support@avaccess.com](mailto:support@avaccess.com)

